

SPECIFICATION:

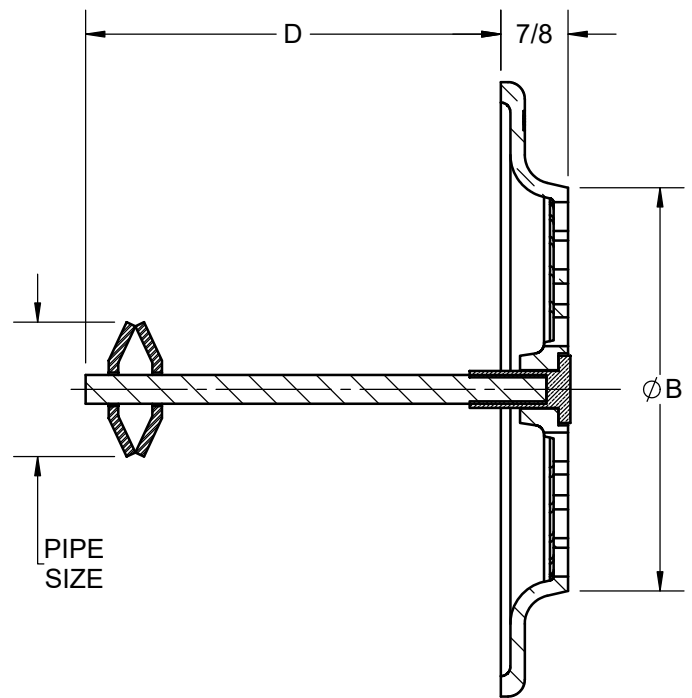
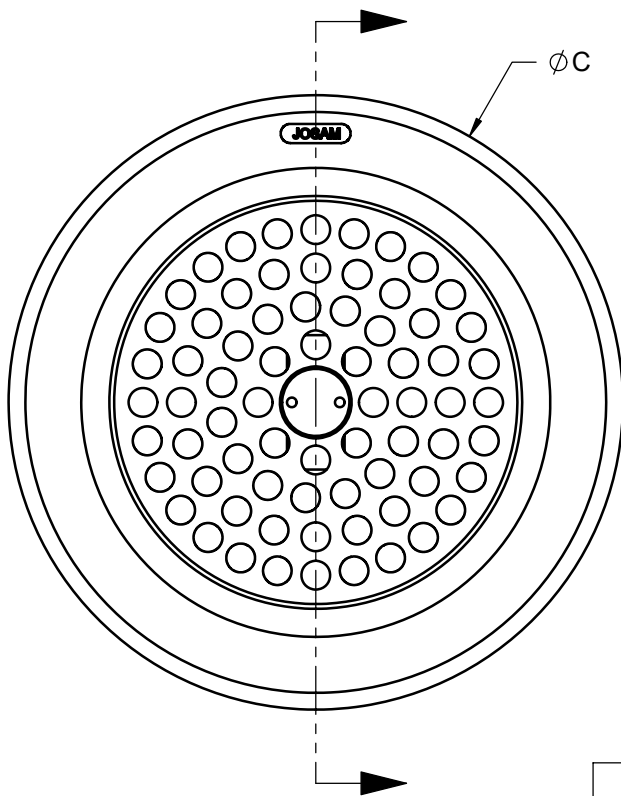
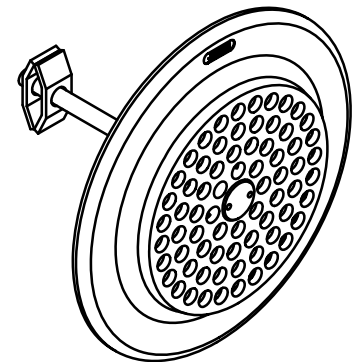
JOSAM 88950 SERIES NIKALOY FRESH AIR INLET WITH SATIN PERFORATED GRILLE, STEEL PIPE EXPANSION ANCHORING DEVICE AND VANDAL-PROOF SPANNER LOCKING DEVICE.

TRAPS & ACCESSORIES

FRESH AIR INLET

SERIES

88950



PIPE SIZE	B	C	D	FREE AREA SQ. IN.
2"	5-1/4	8	5-5/8	8
3"	5-1/4	8	5-5/8	8
4"	5-1/4	8	5-5/8	8
5"	7-1/4	10	6-5/8	16
6"	9-1/4	12	7-5/8	26-3/4
8"	11-1/4	14	8-5/8	40

-2 SATIN FINISH BRONZE FACE

WARNING: Cancer and Reproductive Harm - www.P65Warnings.ca.gov

DATE OF LAST CHANGE: 06/28/18

DIMENSIONS ARE SUBJECT TO MANUFACTURERS TOLERANCES AND CHANGE WITHOUT NOTICE. WE CAN ASSUME NO RESPONSIBILITY FOR USE OF SUPERSEDED OR VOID DATA.

JOSAM

MICHIGAN CITY, INDIANA

NOTES