

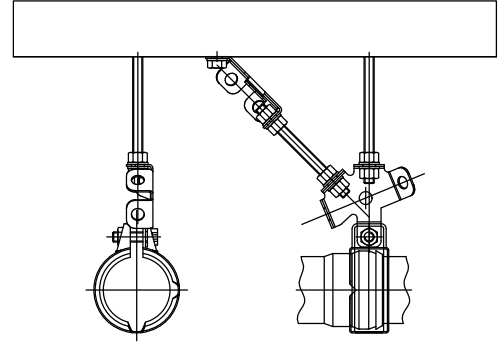
**SPECIFICATION:**

JOSAM PUSH-FIT™ TYPE 316L STAINLESS STEEL SWAY BRACE USED TO SECURE PIPE CLAMPS TO BUILDING STRUCTURE.

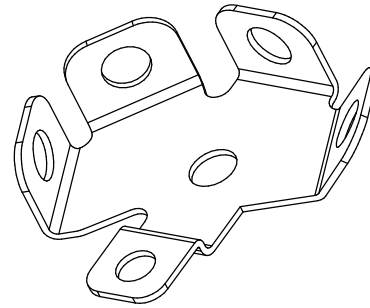
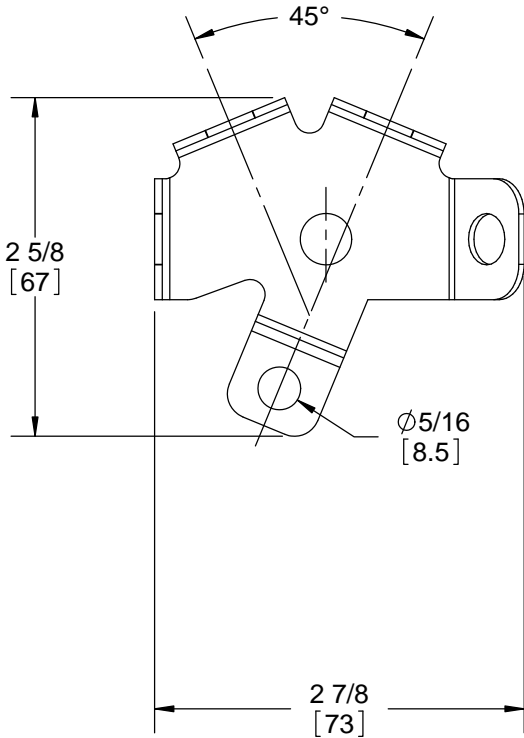
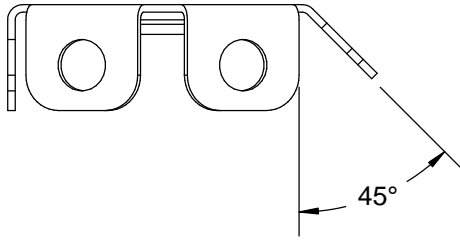
**SS ACCESSORY**

**PUSH-FIT  
SWAY BRACE**

**SERIES JA-3000**



**EXAMPLE INSTALLATION**



DIMENSIONS IN INCHES [mm] UNLESS OTHERWISE NOTED.

WARNING: Cancer and Reproductive Harm - www.P65Warnings.ca.gov

DATE OF LAST CHANGE: 7/19/18

DIMENSIONS ARE SUBJECT TO MANUFACTURERS TOLERANCES AND CHANGE WITHOUT NOTICE. WE CAN ASSUME NO RESPONSIBILITY FOR USE OF SUPERSEDED OR VOID DATA.

**JOSAM**

MICHIGAN CITY, INDIANA

NOTES