

K

**SMITH® JAY R. SMITH MFG. CO.®**  
 MEMBER OF MORRIS GROUP INTERNATIONAL  
 POST OFFICE BOX 3237  
 MONTGOMERY, ALABAMA 36109-0237 (USA)  
 TEL: 334-277-8520 FAX: 888-377-7818 www.jrsmith.com



LOCATION

# LARGE SPECIAL PURPOSE ROOF DRAINS

## RAINTROL® ROOF DRAIN FLAT ROOF DESIGN

**FUNCTION:** Used to control the flow of rain water off a roof. Trapezoidal weirs limit the flow to the leader. Adjustable to provide various flow rates as required.

\*"Flow Rate Control" Assembly (Specify position as noted below)  
 Free Area 102.5 SQ IN (661) SQ CM

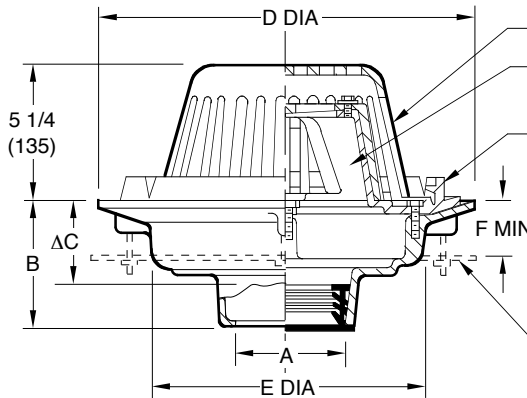


Fig. 1083C ..... CAULK OUTLET  
 Fig. 1083Y..... NO-HUB OUTLET

Δ This Dimension to Internal Stop of Speedi-Set® Gasket.

recommended deck opening		
outlet size	with suffix-R	less suffix-R
02(50),03(75),04(100)	17(430) DIA	14(355) DIA
05(125),06(150)		

**NOTE:** Please call our main office or your local Representative if more information on selection, sizing and placement of our "Raintrol" roof drains is required.

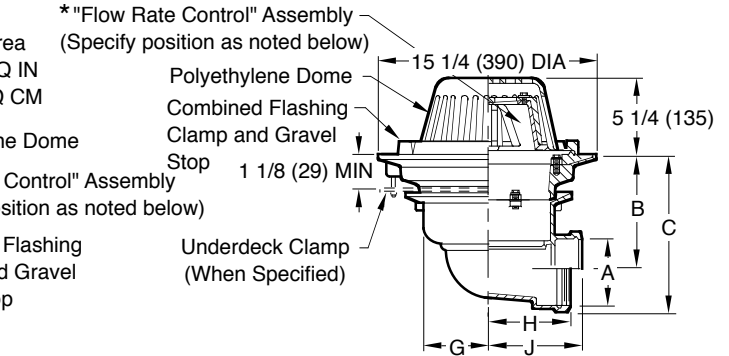


Fig.1088C ..... 02(50), 03(75) & 04"(100) CAULK OUTLET  
 Fig.1088T..... 02(50), 03(75) & 04"(100) THREADED OUTLET

\*"Flow Rate Control" Assembly (Specify position as noted below)

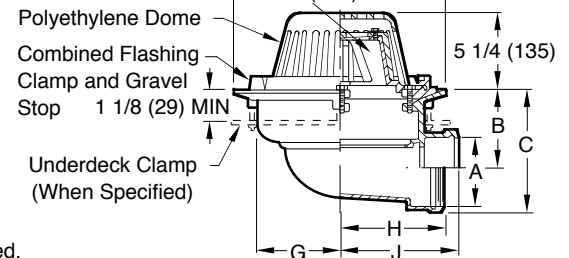


Fig. 1088C .....05(125) & 06"(150) CAULK OUTLET  
 Fig. 1088T.....05(125) & 06"(150) THREADED OUTLET

A SIZE	B (BOTTOM OUTLET)					SIDE OUTLET			
	CAULK, NO-HUB, & SPEEDI-SET®	THREADED	C	D DIA	E DIA	F MIN	G	H	J
02(50),03(75),04(100)	5(125)	3 3/4(95)	3 3/4(95)	15 1/4 (390)	11(280)	1 1/8(29)	4 3/4(120)	6(150)	7 3/4(195)
05(125),06(150)	5(125)	3 3/4(95)	3 3/4(95)	15 1/4 (390)	11(280)	1 1/8(29)	6 1/4(160)	6 7/8(175)	7 3/4(195)

(SIDE OUTLET)					
A SIZE	02(50)	03(75)	04(100)	05(125)	06(150)
B	6 7/8 (175)	6 3/8 (162)	5 7/8 (149)	5 (125)	4 1/2 (115)
C	8 5/8 (219)	8 3/4 (220)	8 3/4 (220)	8 1/2 (215)	8 1/2 (215)

**REGULARLY FURNISHED:**

Duco Cast Iron Body with Combined Flashing Clamp and Gravel Stop with Adjustable "Flow Rate Control" Assembly and Polyethylene Dome.

**ALWAYS SPECIFY NUMBER OF WEIR OPENINGS**

(-WR1)(-WR2)(-WR3)(-WR4)

\*NOTE:  
 (-WR1) 1 WEIR OPENING  
 (-WR2) 2 WEIR OPENING  
 (-WR3) 3 WEIR OPENING  
 (-WR4) 4 WEIR OPENING

**VARIATIONS:**

- Expansion Joint (Specify Fig. 1710) (Fig. 1083 only)
- Extension (Specify Height) -E
- "L" Shaped Underdeck Clamp -CL
- L Speedi-Set® Service Weight  
02(50), 03(75) & 04"(100) sizes only (Fig. 1083 only)
- LXH Speedi-Set® Extra Heavy  
02(50), 03(75) & 04"(100) sizes only (Fig. 1083 only)
- NO-HUB Adaptor (Specify Fig. 2646Y) (Fig. 1088 only)
- Secondary Flashing Clamp -C2
- Sump Receiver -R
- Underdeck Clamp -C
- Vandal Proof Dome -U
- T Threaded Outlet

**OPTIONAL MATERIALS:**

- ▲ Aluminum Dome -AD
- ▲ Cast Iron Dome -CID
- Galvanized Cast Iron Body & Collar -G
- ▲ Galvanized Cast Iron Dome -CIDG
- ▲ Rough Bronze Dome -RBD

**▲ Optional domes' free area are as follows:**

Aluminum	98 (632)
Cast Iron	80 (516)
Bronze	95 (613)

**NOTE:** Dimensions shown in parentheses are in millimeters.

DRAWING NUMBER  
S1083

SIZE  
A

SCALE:  
NONE

DATE:  
5-24-85

APPROVED BY:  
TD

CHECKED BY:  
TD

DRAWN BY:  
VGD

1083,1088

FIGURE NUMBER

K	3-8-23	Added @ to "Speedi-Set" Revised Variations Added Optional Dome Notes Rev. Opt. Mat.	KK	CL	WEIGHT POUNDS	VOLUME CUBIC FEET	FIGURE NUMBER <b>1083,1088</b>
J	4-13-16		TBW	CL			
H	06/04/09		JJ	CL			
G	5-26-99		CMD	BS			
REV.	DATE	DESCRIPTION	BY	CKD. BY			