

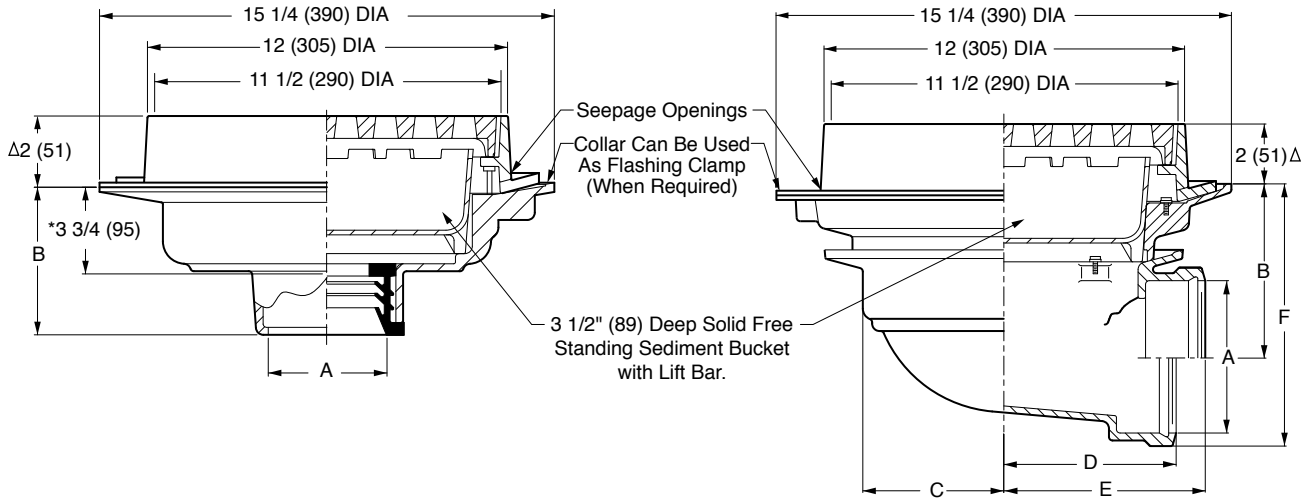
N
 DRAWING NUMBER S2142, 2147
 SIZE A
 SCALE: NONE
 DATE: 5-17-85
 APPROVED BY: TD
 CHECKED BY: TD
 DRAWN BY: BS
2142, 2147
 FIGURE NUMBER

WE CAN ASSUME NO RESPONSIBILITY FOR USE OF SUPERSEDED OR VOID DATE
 DIMENSIONS ARE SUBJECT TO MANUFACTURERS TOLERANCE AND CHANGE WITHOUT NOTICE

FLOOR DRAINS

12" (305) ROUND TOP SOLID FREE STANDING SEDIMENT BUCKET

Free Area
 29 SQ IN
 (187) SQ CM



- Fig. 2142C.....CAULK OUTLET
- Fig. 2142T.....THREADED OUTLET
- Fig. 2142Y.....NO-HUB OUTLET

- Fig. 2147C.....CAULK OUTLET
- Fig. 2147T.....THREADED OUTLET

A Size	B	
	Caulk, NO-HUB & Speedi-Set®	Threaded
02(50),03(75)04(100) 05(125) & 06(150)	5 (125)	3 3/4 (95)

A SIZE	02(50)	03(75)	04(100)	05(125)	06(150)
B	6 7/8(175)	6 3/8(162)	5 7/8(149)	5(125)	4 1/2(115)
C	4 3/4(120)	4 3/4(120)	4 3/4(120)	6 1/4(160)	6 1/4(160)
D	6(150)	6(150)	6(150)	6 5/8(168)	6 7/8(175)
E	7 1/4(185)	7 1/2(190)	7 3/4(195)	7 3/4(195)	7 3/4(195)
F	8 5/8(219)	8 3/4(220)	8 3/4(220)	8 1/2(215)	8 1/2(215)

REGULARLY FURNISHED:
 Ducto Cast Iron Body and Flashing Collar with Medium Duty Cast Iron Tractor Grate and Solid Free Standing Sediment Bucket.

**For Heavy Duty: Specify Ductile Iron Grate-M.

ΔAdd 1/8" (3) when bronze top is specified.
 *This dimension to internal stop of Speedi-Set® gasket.

VARIATIONS:

- Flat Bottom Strainer -FBS
- L Speedi-Set® Service Weight 02(50), 03(75) & 04"(100) sizes only. (Fig. 2142 only)
- LXH Speedi-Set® Extra Heavy 02(50), 03(75) & 04"(100) sizes only. (Fig. 2142 only)
- NO-HUB Adaptor (Specify Fig. 2646Y) (Fig. 2140 & 2147 only)
- Seepage Holes in Bucket -FP (Frost Proof)
- Square Top -S
- Trap Primer Connection -P050 1/2" (13) & -P075 3/4" (19) (Fig. 2142 only)
- Vandal Proof Grate -U
- Heel Proof Grate -Q45
- Quad Close Trap Seal (Specify Fig. 2692) (Fig. 2142 Only)

OPTIONAL MATERIALS:

- Ductile Iron Grate -M
- Galvanized Cast Iron -G
- Nickel Bronze Top -NB
- Polished Bronze Top -PB

NOTE: Fig. 2147 in 02(50), 03(75), & 04"(100) sizes require a transition collar (as shown in above illustration) which fits between the body & collar. 05(12) & 06"(150) sizes do not require transition collar.

NOTE: Dimensions shown in parentheses are in millimeters.

REV.	DATE	DESCRIPTION	BY	CKD. BY	WEIGHT POUNDS	VOLUME CUBIC FEET	FIGURE NUMBER
							2142, 2147