



65" Maor

310136

A Kichler® Decor™ ceiling fan

KICHLER®

Kichler® Lighting
7711 East Pleasant Valley Road
P.O. Box 318010
Cleveland, Ohio 44131-8010

Customer Service
866.558.5706
8:30 AM to 5:00 PM EST,
Monday - Friday

Instruction Manual

KICHLER®



1. SAFETY RULES

1. To reduce the risk of electric shock, insure electricity has been turned off at the circuit breaker or fuse box before beginning.
2. All wiring must be in accordance with the National Electrical Code and local electrical codes. Electrical installation should be performed by a qualified licensed electrician.
3. **WARNING:** To reduce the risk of fire or electric shock, do not use this fan with any solid-state speed control. Use only the control provided with the fan.
4. **WARNING:** To reduce the risk of personal injury, use only the two steel screws (and lock washers) provided with the outlet box for mounting to the outlet box. Most outlet boxes commonly used for the support of lighting fixtures are not acceptable for fan support and may need to be replaced, consult a qualified electrician if in doubt.
5. **WARNING:** To reduce the risk of fire, electric shock, or Personal Injury, mount directly to a structural framing member or to an outlet box marked 'Acceptable for Fan Support of 22.7 kg (50 lbs) or less'. For outlet box mounting, use mounting screws provided with the outlet box.
6. The fan must be mounted with a minimum of 7 feet clearance from the trailing edge of the blades to the floor.
7. To slide the reverse button to operate the reverse function on this fan. A few seconds later the fan will slow to a stop and then reverse direction. NOTE: Fan will not operate when the reverse switch in the middle.
8. Avoid placing objects in the path of the blades.
9. To avoid personal injury or damage to the fan and other items, be cautious when working around or cleaning the fan.
10. Do not use water or detergents when cleaning the fan or fan blades. A dry dust cloth or lightly dampened cloth will be suitable for most cleaning.
11. After making the electrical connections, spliced conductors should be turned upward and pushed carefully up into outlet box. The wires should be spread apart with the ground wire and white (common) wire to one side with the black (load) wire to the other side of the outlet box.
12. Electrical diagrams are reference only. Light kits that are not packed with the fan must be ETL Listed and marked suitable for use with the model fan you are installing. Switches must be ETL General Use Switches. Refer to the Instructions packaged with the light kits and switches for proper assembly.

WARNING

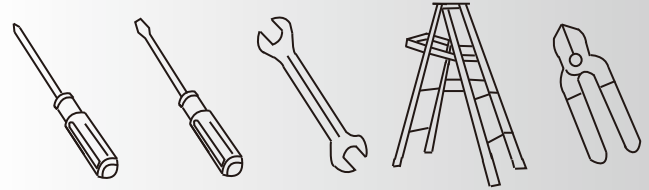
To reduce the risk of fire, electric shock, or Personal Injury, mount directly to a structural framing member or to an outlet box marked 'Acceptable for Fan Support of 22.7 kg(50 lbs) or less'. For outlet box mounting, use mounting screws provided with the outlet box.

WARNING

TO REDUCE THE RISK OF PERSONAL INJURY, DO NOT BEND THE BLADE BRACKETS (ALSO REFERRED TO AS FLANGES) DURING ASSEMBLY OR AFTER INSTALLATION. DO NOT INSERT OBJECTS IN THE PATH OF THE BLADES.

2. TOOLS AND MATERIALS REQUIRED

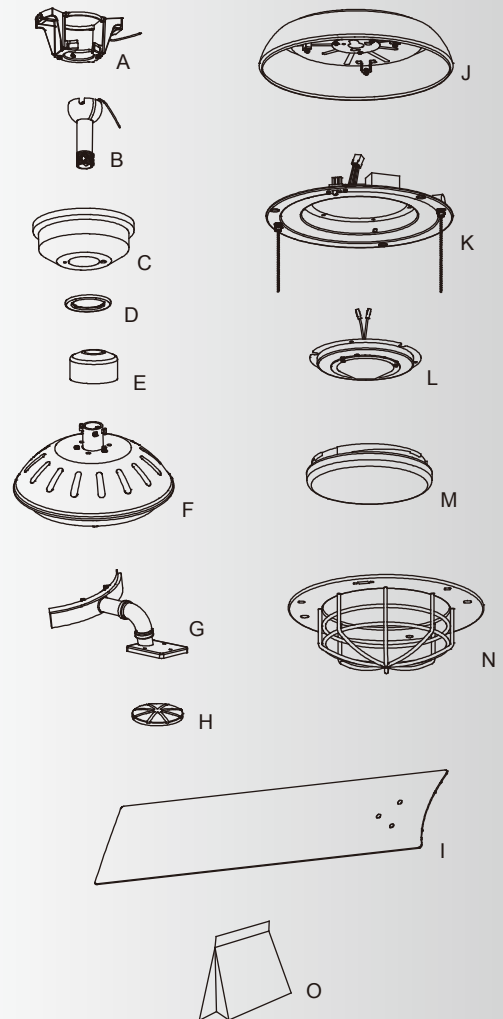
- Philips screw driver
- Blade screw driver
- 11 mm wrench
- Step ladder
- Wire cutters



3. PACKAGE CONTENTS

Unpack your fan and check the contents .
You should have the following items:

- A. Mounting Bracket
- B. Ball / Downrod Assembly (1)
- C. Canopy
- D. Canopy Hole Cover
- E. Coupling Cover
- F. Motor Body
- G. Blade Arm
- H. Blade Holder
- I. Blade
- J. Switch Housing
- K. Light Kit
- L. LED Module
- M. Glass Shade
- N. Light Case
- O. Package Hardware:
 - 1) Mounting Hardware:
wood screws (2), flat washers (2), screws (2), lock washers (2), wire nuts (3)
 - 2) Blade Attachment Hardware:
screws (14)
 - 3) Blade Arm Hardware:
screws (2)
 - 4) Safety Cable Hardware:
wood screw (1), spring washer (1), flat washer (1)
 - 5) Balance Kit
 - 6) Screw Hardware
screws (3), flat head screws (3)
 - 7) Extra Screw Hardware
screws (3)



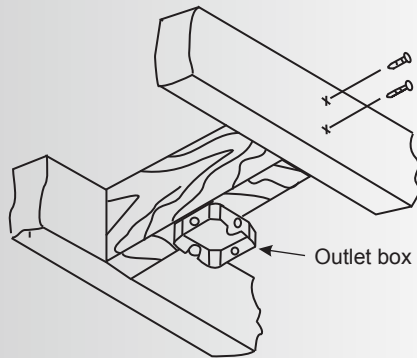


Fig. 1

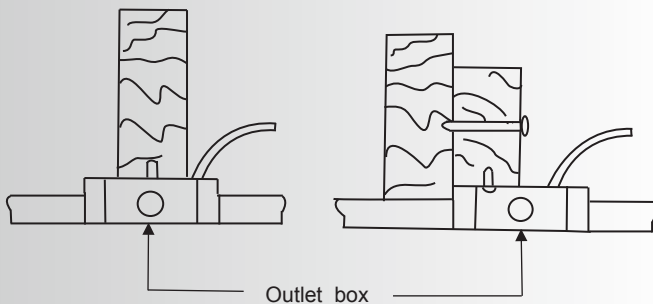


Fig. 2

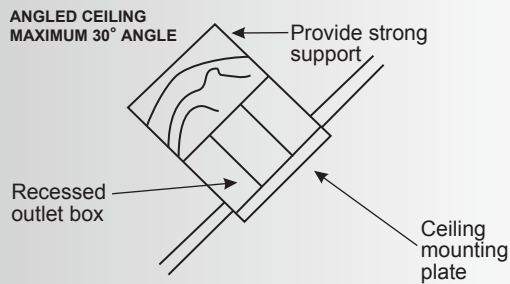


Fig. 3

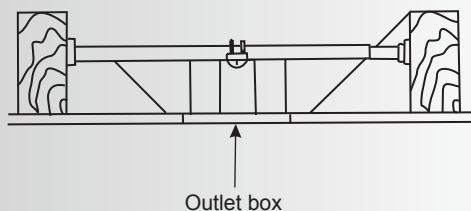


Fig. 4

4. MOUNTING OPTIONS

If there isn't an existing ETL listed mounting box, then read the following instructions. Disconnect the power by removing fuses or turning off circuit breakers.

Secure the outlet box directly to the building structure. Use appropriate fasteners and building materials. The outlet box and its support must be able to fully support the moving weight of the fan (at least 50 lbs). Do not use plastic outlet boxes.

Figures 1, 2 and 3 are examples of different ways to mount the outlet box.

NOTE: If you are installing the ceiling fan on a sloped (vaulted) ceiling, you may need a longer downrod to maintain proper clearance between the tip of the blade and the ceiling. A minimum clearance of 12" is suggested for optimal operation.

NOTE: Depending on the location you have selected for installation, you may need to purchase and install a "Joist Hanger" for the support of the outlet box. Make sure the joist hanger you purchase has been designed for use with ceiling fans. (Fig. 4)

5. HANGING THE FAN

REMEMBER to turn off the power before you begin installation. This is necessary for your safety and also the proper programming of the control system.

To properly install your ceiling fan, follow the steps below.

Step 1. Before attaching fan to outlet box (not included), ensure the outlet box is securely fastened to at least two points to a structural ceiling member (a loose box will cause the fan to wobble). Pass the 120 volt supply wires from the ceiling outlet box through the center of the ceiling mounting bracket. Install mounting bracket to outlet box in ceiling using the screws and washers included with the outlet box or screws and washers in the hardware bag. (Fig. 5)

Step 2. Remove the hanger ball from downrod assembly by loosening set screws, removing the cross pin, and twisting ball out of the rod. (Fig. 6)

Step 3. Loosen the two set screws and remove the clip and cross pin from the top coupling of the motor body.

Carefully feed the fan wires up through the downrod. Thread the downrod onto the motor coupling until the cross pin holes are aligned. Next, replace the cross pin and clip, and tighten both set screws. (Fig. 7)

Step 4. Slip the coupling cover, canopy hole cover and canopy onto the downrod. Carefully reinstall the hanger ball onto the downrod. Make sure the cross pin is in the correct position and the set screws are tight and the wires are not twisted. (Fig. 8)

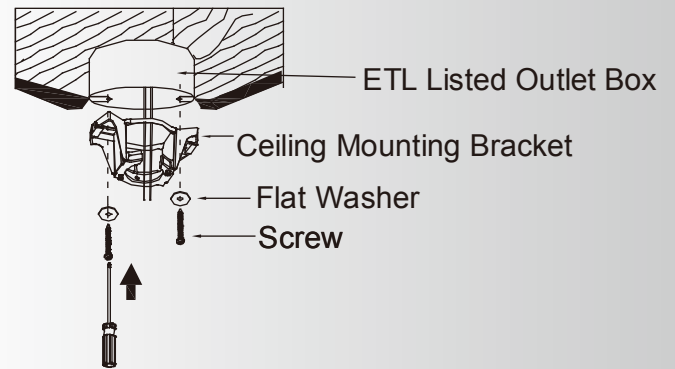


Fig. 5

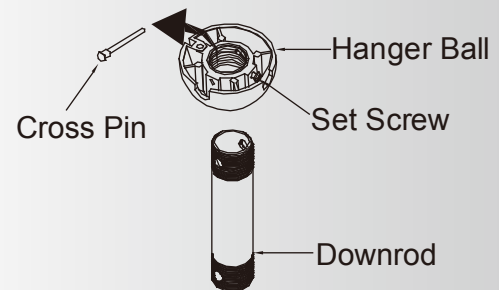


Fig. 6

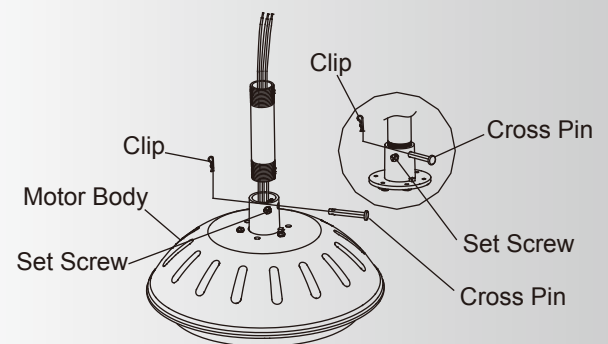


Fig. 7

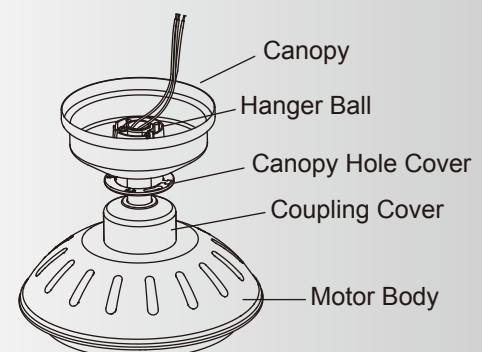


Fig. 8

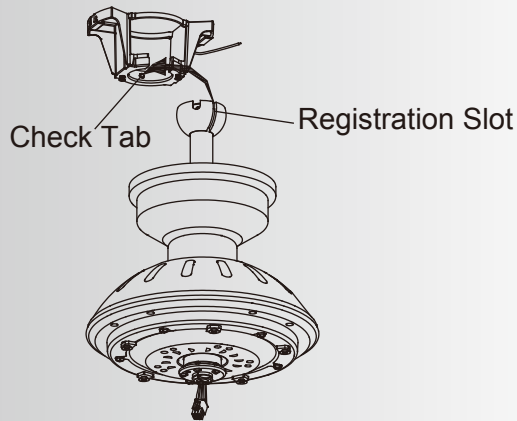


Fig. 9

Step 5. Now lift the motor body into position and place the hanger ball into the hanger bracket. Rotate until the "Check Tab" has dropped into the "Registration Slot" and seats firmly. (Fig. 9) The entire motor body should not rotate if this is done correctly.

WARNING: Failure to properly seat the "Check Tab" can damage the ceiling fan during operation.

6 . INSTALLATION OF SAFETY SUPPORT (required for Canadian installation ONLY)

A safety support cable is provided to help prevent the ceiling fan from failing, please install it as follows.

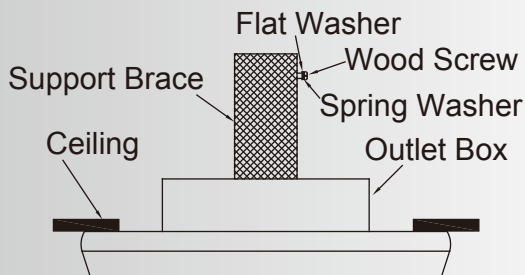


Fig. 10

Step 1. Drive a wood screw and washers into the side of the brace that holds the outlet box. Leave 3mm (1/8") of space between the support brace and the washer. (Fig. 10)

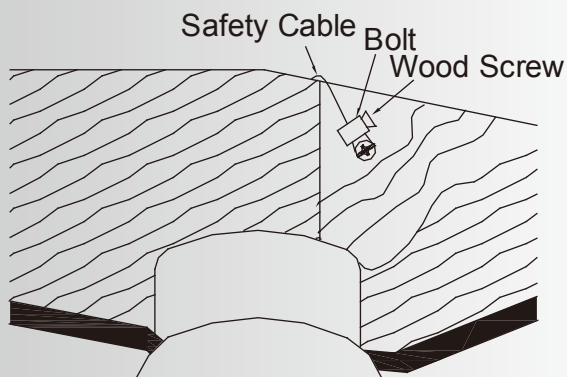


Fig. 11

Step 2. Insert the safety cable through the mounting bracket and one of the holes in the outlet box into the ceiling. Adjust the length of the safety cable to reach the screw and washers by pulling the extra cable through the cable clamp until the overall length is correct, put the end of the cable back through the cable clamp, forming a loop at the end of the cable. Tighten the cable clamp securely. Now, put the loop in the end of the safety cable over the wood screw and under the washer. Tighten the wood screw securely. (Fig. 11)

NOTE: Although the safety support cable is required for Canadian installations only. It's a good idea to make the attachment with any installation.

7. MAKE THE ELECTRIC CONNECTIONS

WARNING: To avoid possible electrical shock, be sure you have turned off the power at the main circuit panel before wiring.

Follow the steps below to connect the fan to your household wiring. Use the wire connecting nuts supplied with your fan. Secure the connector with electrical tape. Make sure there are no loose wire stands or connections.

WARNING: If your house wires are different colors than referenced in this manual, stop immediately. A professional electrician is recommended to determine proper wiring.

Step 1. Connect the fan supply BLACK wire and fan light supply BLUE wire to the BLACK household supply wire as shown in Fig. 12.

Step 2. Connect the fan neutral WHITE wire to the household neutral WHITE wire as shown in Fig. 12.

Step 3. Connect GROUND (GREEN) wires from mounting bracket and downrod ball, to GROUND (GREEN) or BARE (COPPER) from house. (Fig. 12)

Step 4. After making all of the above connecting, spread them apart so the GREEN and WHITE wires to one side of the outlet box and the BLACK wire toward the other side.

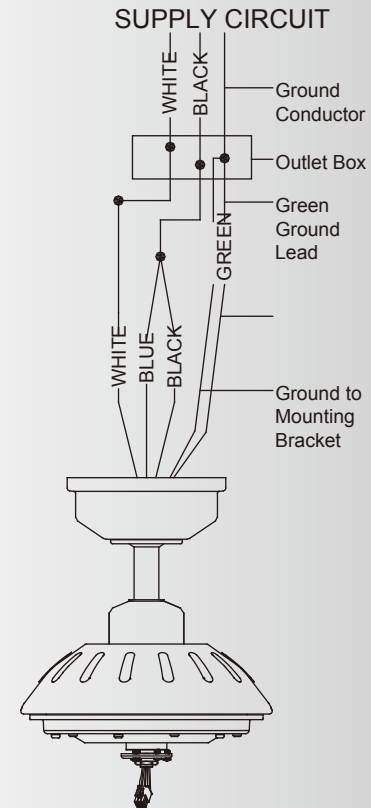


Fig. 12

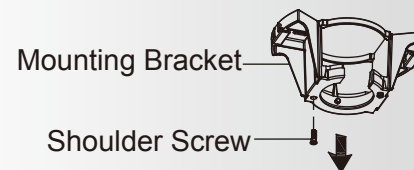


Fig. 13

8 . FINISHING THE INSTALLATION

Step 1. Remove one of the two shoulder screws in the mounting bracket. Loosen the second shoulder screw without fully removing it. (Fig. 13)

Step 2. Assemble canopy by rotating key slot in canopy over shoulder screw in mounting bracket. Tighten shoulder screw. Fully assemble and tighten second shoulder screw that was previously removed. (Fig. 14)

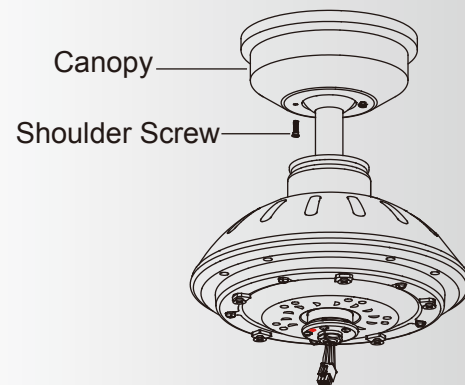


Fig. 14



Fig. 15

Step 3. Securely attach and tighten the canopy hole cover over the shoulder screws in the mounting bracket utilizing the keyslot twist-lock feature. (Fig. 15)

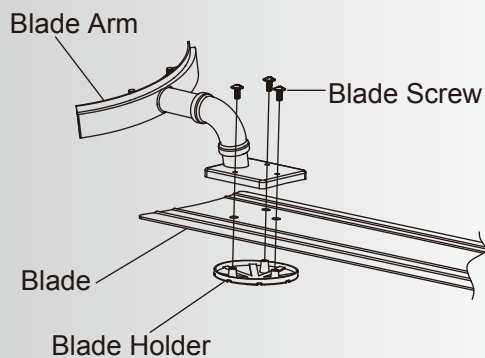


Fig. 16

9. ATTACHING THE FAN BLADES

NOTE: Before continuing, make sure the power is disconnected by turning off the circuit breaker or removing the fuse at the circuit box.

Step 1. Position the blade over the blade holder with three threaded posts showing. Make sure the bottom edge of the blade is fully seated against the blade holder. Attach the blade arm to the blade and blade holder using the three blade screws. Do not tighten blade screws until all three have been inserted. Then, tighten each blade screws securely. Repeat the procedure for all remaining blades. (Fig.16)

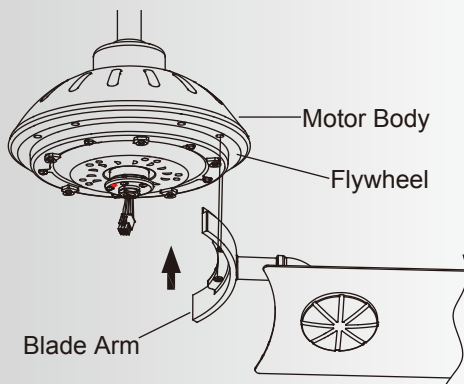


Fig. 17

Step 2. Fasten blade assembly to the holes located on the bottom of the flywheel. Tighten the two "pre- installed" motor screws in the blade arm. Repeat steps for the remaining blades assemblies. (Fig. 17)

10. INSTALLING THE SWITCH HOUSING

Step 1. Remove the screw nearest the red dot label on the mounting ring and loosen the other two (do not remove). Let the 9-pin connector from motor body through the middle hole of switch housing. Align the two slot holes on the switch housing over the 2 screws previously loosened from the mounting ring. Turn the switch housing until it locks in place at the narrow end of the key holes. Securely tighten all three screws. (Fig. 18)

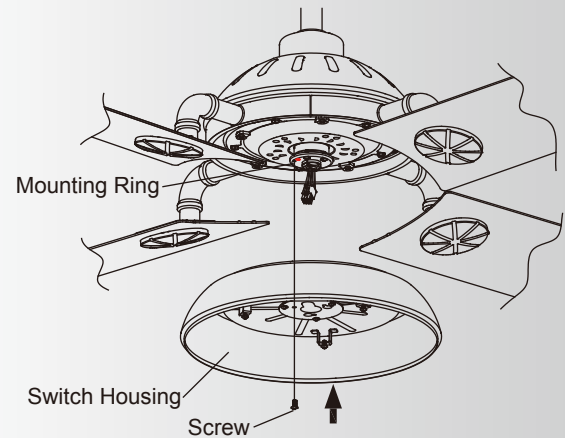


Fig. 18

11. INSTALLING THE LIGHT KIT

NOTE: Before continuing installation, confirm that the power is still turned off at the main circuit breaker or by removing the correct fuse. Turning the power off using a wall switch is not sufficient to prevent electrical shock.

Step 1. Remove 1 of the 3 screws on switch housing and loosen the other 2 screws (do not remove). (Fig. 19)

Step 2. The Square plastic wiring connector from the motor body and light kit will only fit together one way. Match up the color on the side of each connector, then push them together until the snap engages. (Fig. 19)

Step 3. Align the key holes on the light kit with the 2 screws on the edge of the switch housing. Turn light kit until it locks in place at the narrow end of the key holes. Tighten the 2 screws and reinstall the third screw, making sure all three screws are tight and secure. (Fig. 19)

Step 4. Hold the LED module close to the light kit. Connect the WHITE wires from the light kit and LED module by pushing the connectors together. Follow the same procedure with the BLACK wires. Align the holes on the LED module and light kit and securely tighten with three screws in hardware bag. (Fig. 20)

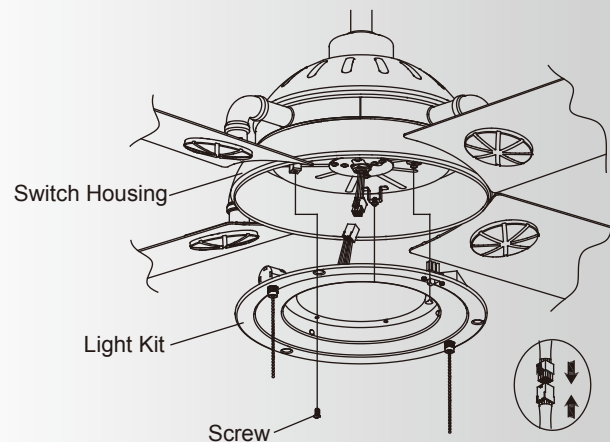


Fig. 19

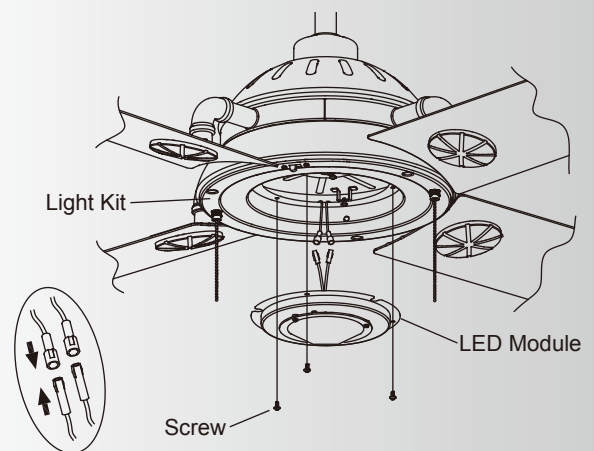


Fig. 20

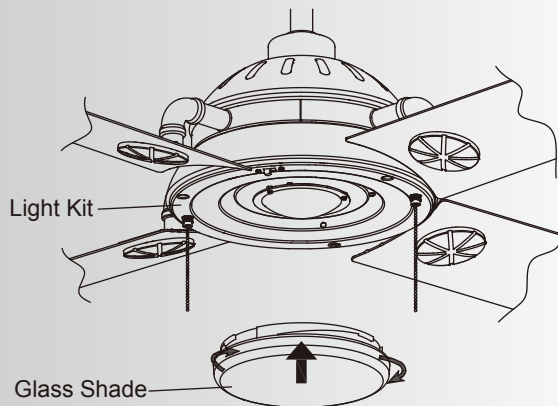


Fig. 21

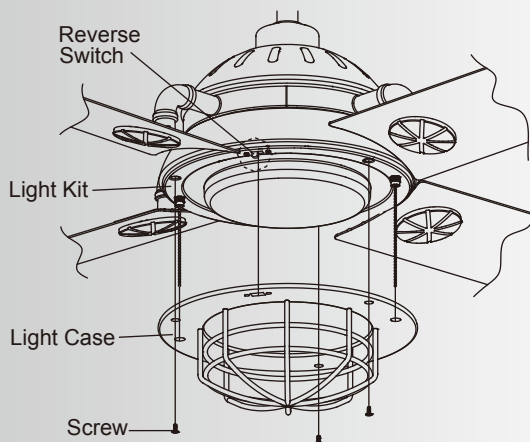


Fig. 22

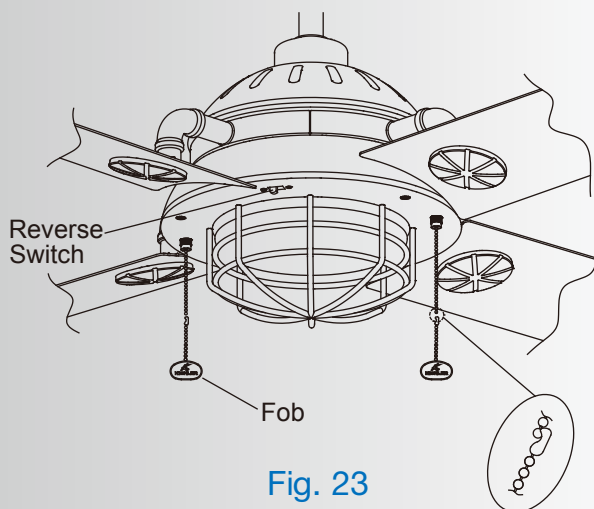


Fig. 23

12. INSTALLING THE GLASS SHADE AND LIGHT CASE

Step 1. Assemble the glass shade to the light kit by twisting in a clockwise direction. Do not overtighten. (Fig. 21)

Step 2. Let the reverse switch and 2 pull chains through the holes on the light case. Attach the light case to the light kit by using the three flat head screws in hardware package. (Fig. 22)

13. INSTALLING THE FOB

Step 1. Attach the decorative pull chain fobs to the chains coming out of the light case. Refer to Fig. 23.

Check the ON/OFF operation of the light by gently pulling on the light switch pull chain.

Check the operation of the fan by gently pulling on the speed control switch pull chain.

The operation sequence is as follows:

- 1st pull – High
- 2nd pull – Medium
- 3rd pull – Low
- 4th pull – OFF

Your fan is shipped from the factory with the reversing switch positioned to circulate air downward. If airflow is desired in opposite direction, turn the fan off and wait for the blades to stop turning, then slide the reversing switch to the opposite position, and turn the fan on again. The fan blades will turn in the opposition direction and reverse the airflow.

14. TROUBLESHOOTING

Problem	Solution
Fan will not start.	<ol style="list-style-type: none"> 1. Check circuit fuses or breakers. 2. Check all electrical connections to insure proper contact. CAUTION: Make sure the main power is OFF when checking any electrical connection. 3. Make sure the transmitter batteries are installed properly. Positive (+) side facing out. 4. Insure the batteries have a good charge.
Fan sounds noisy.	<ol style="list-style-type: none"> 1. Make sure all motor housing screws are snug. 2. Make sure the screws that attach the fan blade brackets to the motor are tight. 3. Make sure wire nut connections are not rubbing against each other or the interior wall of the switch housing. CAUTION: Make sure main power is off. 4. Allow a 24-hour "breaking-in" period. Most noise associated with a new fan disappear during this time. 5. If using an optional light kit, make sure the screws securing the glassware are tight. Make sure the light bulbs are not touching any other component. 6. Do not connect this fan to a wall mounted variable speed control(s). They are not compatible with ceiling fan motors or remote controls. 7. Make sure the upper canopy is a short distance from the ceiling. It should not touch the ceiling.
Fan wobble.	<ol style="list-style-type: none"> 1. Check that all blade and blade arm screws are secure. 2. Most fan wobbling problems are caused when blade levels are unequal. Check this level by selecting a point on the ceiling above the tip of one of the blades. Measure this distance. Rotate the fan until the next blade is positioned for measurement. Repeat for each blade. The distance deviation should be equal within 1/8". 3. Use the enclosed Blade Balancing Kit if the blade wobble is still noticeable. 4. If the blade wobble is still noticeable, interchanging two adjacent (side by side) blades can redistribute the weight and possibly result in smoother operation.
Remote control malfunction.	<ol style="list-style-type: none"> 1. Ceiling Fans with remote control systems CAN NOT be operated in conjunction with any other control system EXCEPT a basic On/Off wall switch, if desired.

15. SPECIFICATIONS

Fan Size	Speed	Volts	Amps	Watts	RPM	CFM	CFM/W	N.W.	G.W.	C.F.
65"	High	120	0.72	85.54	136	8803.84	102.92	17.5 kgs	19.7 kgs	3.2'
	Medium	120	0.52	44.41	95	6031.1	135.81			
	Low	120	0.32	17.46	55	3491.64	199.98			

These are approximate measures . They do not include data for any lamps or fixtures attached to the ceiling fan.