

FLOU Tub Filler Item #4195

Features:

- Floor-standing single-hole tub filler with single lever handle
- Includes two-way diverter and hand-held shower head with 59" flexible hose
- Brass construction with pressure balancing ceramic disc cartridge
- Includes rough-in and trim
- Flow rate: 5.9 GPM at 80 PSI
- It can be installed to meet ADA compliance
- Freight class 2 based on the Lacava Freight Program



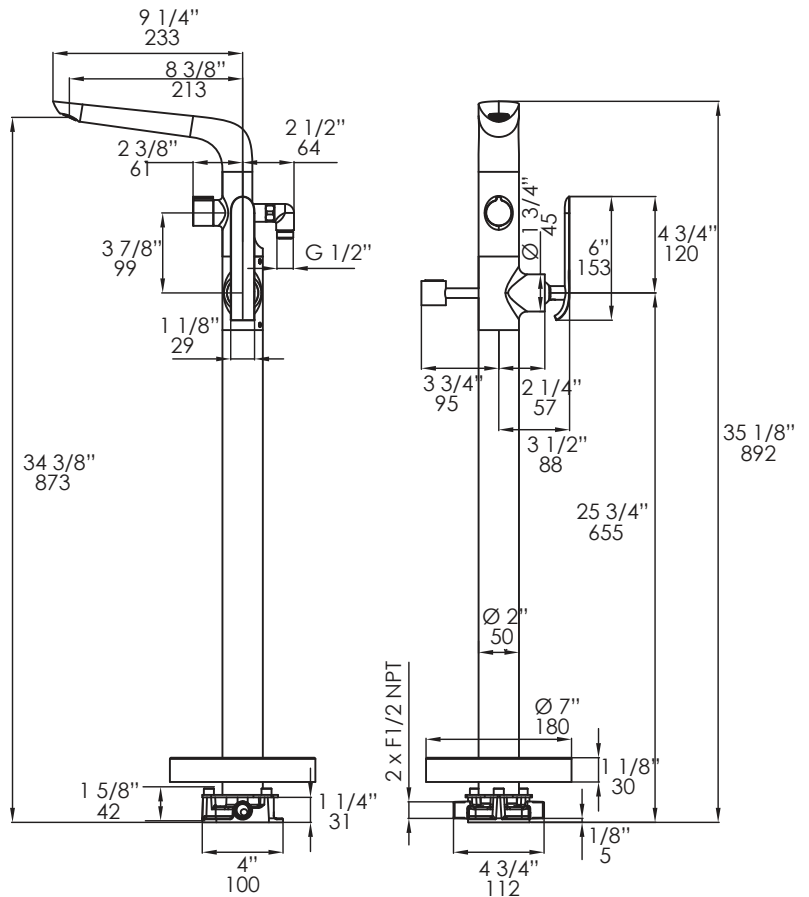
Finish Options:

- CR - Polished Chrome
- NI - Brushed Nickel
- 44 - Matte Black

Product Specifications:

Parts:

- A00045 - 59" flexible shower hose



Notes:
 Drawings provided herein are meant to give the user an idea of the product and are not made to scale. The size in inches is rounded up to the nearest 1/16".
 Plumbing specifications are only a guideline and may need to be altered based on the application.
 Product specifications are not binding to the manufacturer and can be changed without notice at any time. Please refer to your shipment for product final sizes.

LACAVA is committed to the highest level of customer service. Please feel free to contact us at 1-888-522-2823 (toll free) or by email at info@lacava.com for technical assistance or any general inquiries.

Rev. 02-16-2017