

## Specifications:

<b>Installation:</b>	Vanity-top
<b>Exterior Dimensions:</b>	36" w x 22" d x 6 1/4" h
<b>Material:</b>	Solid surface
<b>Weight:</b>	Matte white - 34 lbs Gloss white - 48 lbs
<b>Overflow:</b>	Yes
<b>Finishes:</b>	001M - Matte white 001G - Gloss white
<b>Faucet Holes:</b>	00 - no hole 01 - one centered hole 02 - two hole - center and right, 4" spread 03 - three hole, 8" spread
<b>Faucet Hole Size:</b>	Ø 1 3/8"
<b>Drain Hole Size:</b>	Ø 1 3/4"
<b>Cutout Size:</b>	34" x 20" (template available upon request)



## Features:

- European size drain
- Heat, stain, scratch, chemical, impact resistant
- Optional backsplash available
- K36L - sink on the left
- K36R - sink on the right

## Codes + Standards:

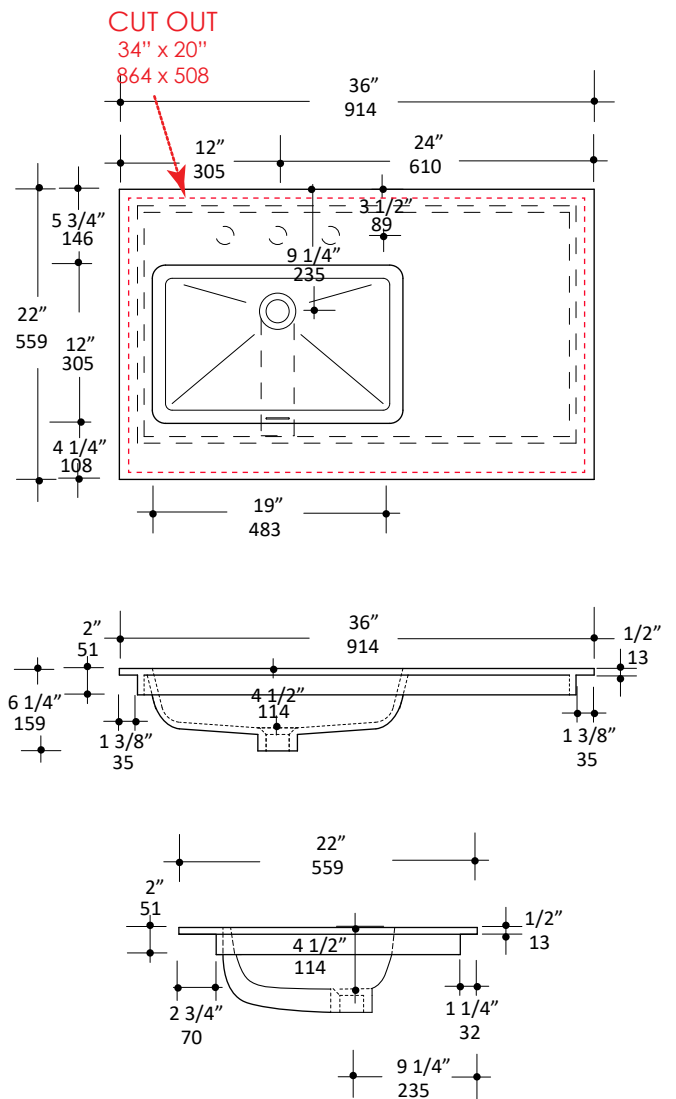
- Meets and exceeds applicable national codes and standards



compliant when installed to specific requirements of this regulation

## Recommended Items:

- Furniture
  - KUB-W-36L/R - Floor-standing or wall mounted vanity with drawers
  - BKS - 6" Backsplash 001G - gloss, 001M - matte
  - PUN-W-36 - Wall-mount under-counter vanity with two drawers
- European drain with overflow
  - 7100-12
  - 7100-16OF
  - 7100-13OF



LACAVA reserves the right to revise any dimension or information on this sheet without notice. Dimensions are nominal and may vary within an industry accepted tolerance of 1/4".

Drawings provided herein are meant to give the user an idea of the product and are not made to scale.

Revised: 8/12/2019