

Trap Cover Item #RA098

Features:

- Made of stainless steel
- Works with most American or European traps
- Easy clip-on installation without any tools or hardware
- Mounting clip covered with rubberized coat
- Can be installed to meet ADA compliance
- Weight: 2 lbs.

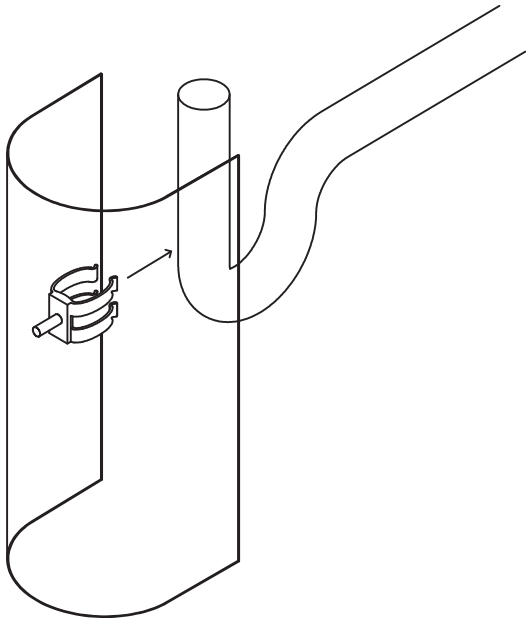
Finish Options:

- 10 - polished stainless steel
 - 21 - brushed stainless steel
 - 44 - matte black
- Other custom finishes made to order for project quantities.

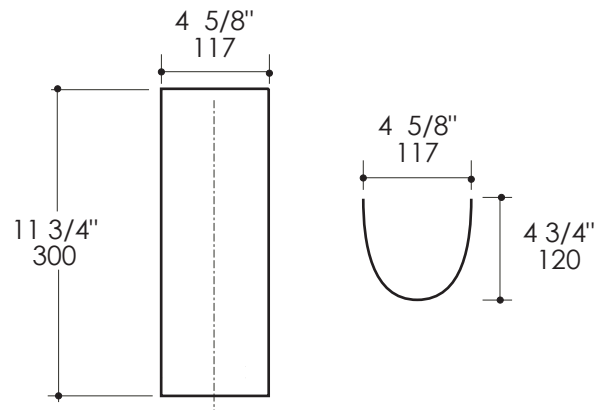


Installation:

- Attach the rubber clamp to the P trap



Product Specifications:



Notes:

Drawings provided herein are meant to give the user an idea of the product and are not made to scale. The size in inches is rounded up to the nearest 1/16".

LACAVA is committed to the highest level of customer service. Please feel free to contact us at 773-637-9600 or by email at info@lacava.com for technical assistance or any general inquiries.

Rev. 6-1-2018