

SUBMITTAL SHEET

JOB NAME		ITEM TAG
JOB LOCATION		PART NUMBER
CONTRACTOR	DATE	
ENGINEER APPROVAL	DATE	

MIXING VALVE ACTUATOR FOR LMV-3 MIXING VALVE

24V Stand-Alone

Features a modulating motor to control the delivered water temperature with the LMV-3 mixing valve.

The actuator has built-in Proportional-Integral (PI) controls so that it can function without the need for an external controller.

Summer and winter modes with rotating potentiometer for temperature adjustment.

5 ft wire for the temperature pre-wired temperature probe.

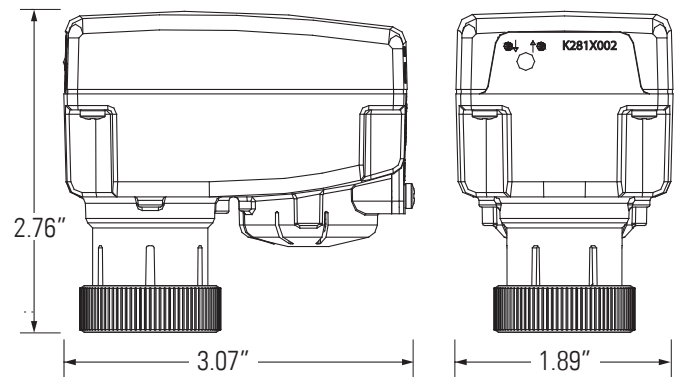
Has a Red/Green signaling LED to visually identify the direction of movement for the actuator.

28mm knurled brass nut for easy attachment to the 3-way valve. No tools required.

Small compact design to aid in close-quarters installations.



**Pictured:
LMV-3 &
800-762 Actuator**



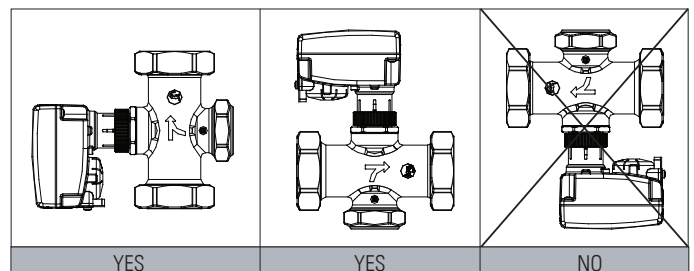
**Pictured:
800-762 Actuator
Dimensional**

Electrical Connections:

Brown	24 V Supply Power
Gray	24 V Supply Power

Technical Data:

Supply Voltage	24 V, 50-60 Hz, + -3V
Power Consumption	5 VA
Control Mode	Built-in Proportional-integral (PI) controls
Potentiometer Range	Winter - 68F to 140F Summer - 59F to 77F
Electronic Probe	1.85" x 0.25" with 5 ft wire
Stroke Time	85 seconds
Stem Force	27 pounds
Max Stroke	.26 seconds
Electrical Cable	5 ft.
Mounting Nut	M28 x 1.5 brass ring
Weight	5.6 Oz



Acceptable mounting positions