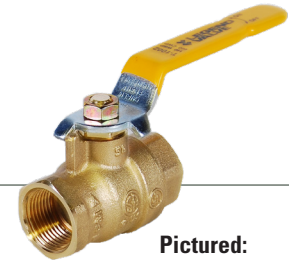


SUBMITTAL SHEET

JOB NAME	ITEM TAG
JOB LOCATION	PART NUMBER
CONTRACTOR	DATE
ENGINEER APPROVAL	DATE



NO LEAD FULL PORT BALL VALVE
T/S-1002NL



**Pictured:
T-1002NL**

Lead-free design is suitable for all no-lead potable water installations, in full compliance of all lead-free plumbing laws.

Bottom-loaded, blowout-proof stem with PTFE packing gland and forged brass packing nut.

Durable PTFE seats.

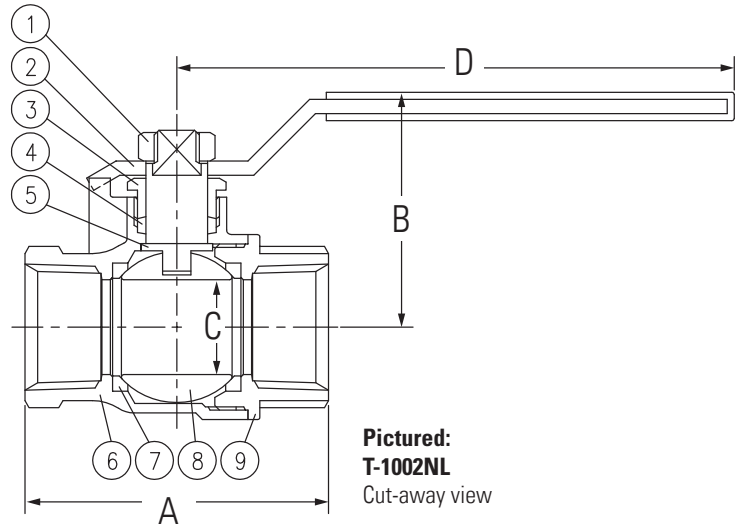
Self-cleaning forged brass ball is chrome-plated, to resist scale build-up.

Available in female pipe threaded sizes 1/4" - 3" and female sweat tubing sizes 3/8" - 3"

Working Pressure, Non Shock (PSI)

Cold working pressure (CWP): 1/4" - 2" 600 psi
2-1/2" and 3" 400 psi

Saturated steam (WSP): All sizes: 150 psi



**Pictured:
T-1002NL**
Cut-away view

DIMENSIONS

Size	A (IPS)	A (CXC)	B	C	D	CV**
1/4"	1.81	-	1.46	0.39	3.31	6.50
3/8"	1.81	1.62	1.46	0.39	3.31	6.50
1/2"	2.01	1.93	1.54	0.50	3.31	10.00
3/4"	2.36	2.76	1.89	0.79	4.65	26.00
1"	2.88	3.31	2.05	1.00	4.65	48.00
1-1/4"	3.31	3.78	2.52	1.26	5.28	70.00
1-1/2"	3.63	4.30	2.72	1.50	5.28	105.00
2"	4.22	5.32	3.47	2.00	7.88	200.00
2-1/2"	5.16	6.22	3.86	2.50	7.87	380.00
3"	5.91	7.17	4.17	3.00	7.87	520.00

**The CV Factor is the gallons of water per minute passed through the valve with a 1 PSI pressure drop.

MATERIAL SPECIFICATION

PART	MATERIAL	SPECIFICATION
1 Handle nut	Steel	AISI 1010
2 Handle	Steel	ASTM A283 Class D
3 Packing nut	Forged brass	ASTM B16 UNS C36000
4 Stem packing	PTFE	Commercial grade
5 Stem	Lead-free forged brass	UNS Alloy C46400
6 Body	Lead-free forged brass	UNS Alloy C46400
7 Seats (2)	PTFE	Commercial grade
8 Ball	Chrome-plated lead-free forged brass	UNS Alloy C46400
9 End adapter	Lead-free forged brass	UNS Alloy C46400

Certifications/Listings:

Third-party certified.

ANSI/NSF 61: Drinking water system components health effects.

ANSI/NSF 372: Drinking water system components-lead content.

ANSI Z21.15: Gas appliance connector valve for 1/2 lb. systems (1/2" to 2").

ASME B16.44: For use in above ground gas piping systems up to 5 psi.

ANSI/ASME B16.33: For use in gas piping systems up to 175 psig (1/2" to 2").

UL 2J73: For use with LP natural and manufactured gases; flammable liquids No. 6 oil @ 250°F (1/2" to 2").

Standards:

MSS SP-110

ANSI/ASME B1.20.1: Pipe threads: general purpose (inch)

ANSI/ASME B16.18: Cast copper alloy solder-joint pressure fittings.