

SUBMITTAL SHEET

JOB NAME	ITEM TAG
JOB LOCATION	PART NUMBER
CONTRACTOR	DATE
ENGINEER APPROVAL	DATE

BRASS SILLCOCKS

T/S-541 and T/S-541LS

Full-pattern body, stem and handwheel construction

Electric-induction furnace casting process optimizes molten brass temperatures, resulting in superior cast body and bonnet components

Approved for potable water applications

Equipped with a stem packing and packing nut design, which are superior to packless-bonnet stem seal designs

All 3/4" GHT (garden hose) outlets accept 3/4" hose-thread-mounted vacuum breakers, including our models T-553, T-553C, T-554, T-555 and T-556*

Female NPT threaded, copper tubing sweat or PEX barb inlet end connections available

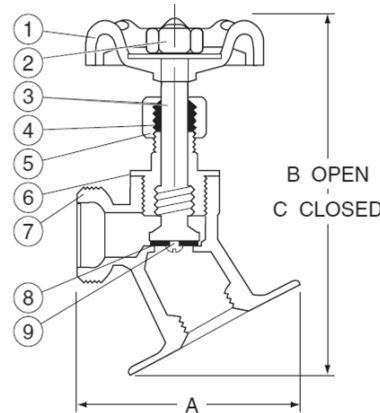
T-541LS and S-541LS models feature a removable handwheel and extended lock-shield packing nut, for tamper-resistant applications

**These models are not included with the T/S-541 or T/S-541LS and do not appear on this submittal sheet. Please check your local backflow prevention code requirements and contact Legend for additional submittal information.*

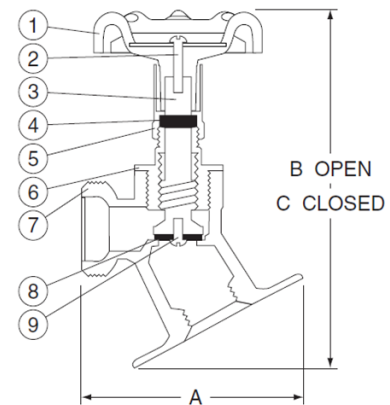
Working Pressure, Non Shock (PSI)

Cold working pressure (CWP): 125 psi
 Saturated steam (WSP): Not suitable for steam service

- Truesdail Labs certified to ANSI / NSF Standards 61-9
- End connections comply with ANSI / ASME B1.20.1 (FNPT), ASME B16.18 (CTS) and ASTM F1807 (PEX)
- Manufactured in an ISO accredited facility



**Pictured
T-541**
Cut-away



**Pictured
T-541LS**
Cut-away

MATERIAL SPECIFICATION

PART	MATERIAL	SPECIFICATION
1 Handle	Cast iron	ASTM A48 Class 35
2 Handle fastener	Cadmium plated steel nut (T/S-541)	AISI 1010
	Brass screw (T/S-541LS)	ASTM B16 C36000
3 Stem	Cast brass	ASTM B584 C85700
4 Stem packing	NBR (Buna-N) rubber	Commercial grade
5 Packing nut (T/S-541) Lockshield (T/S-541LS)	Brass	ASTM B16 C36000
	Brass	ASTM B16 C36000
6 Bonnet	Cast brass	ASTM B584 C85700
7 Body	Cast brass	ASTM B584 C85700
8 Seat washer	NBR (Buna-N) rubber	Commercial grade
9 Seat retaining screw	Stainless steel	AISI grade 304

DIMENSIONS

Size	A	B	C
1/2" FNPT x 3/4" MGHT	2.31	3.89	3.55
3/4" FNPT x 3/4" MGHT	2.37	3.98	3.71
1/2" Swt. x 3/4" MGHT	2.10	3.75	3.47
3/4" Swt. x 3/4" MGHT	2.39	3.89	3.64
1/2" FNPT x 3/4" MGHT Lockshield	2.09	4.22	4.07
1/2" Swt. x 3/4" MGHT Lockshield	2.16	3.98	3.81
3/4" FNPT x 3/4" MGHT Lockshield	2.46	4.35	4.22
1/2" PEX insert x 3/4" MGHT	2.09	3.75	3.46