

SUBMITTAL SHEET

JOB NAME _____ ITEM TAG _____

JOB LOCATION _____ PART NUMBER _____

CONTRACTOR _____ DATE _____

ENGINEER APPROVAL _____ DATE _____

LEAD-FREE BRONZE RISING STEM GLOBE VALVE

T-421NL

Lead-free design is suitable for all no-lead potable water installations, in full compliance of all lead-free plumbing laws.

Full-pattern globe-shaped body promotes good flow characteristics, minimal pressure drop and durability.

A large-diameter tapered bronze disc and venturi-tapered port, permit precise throttling control.

The articulated stem and tapered disc connection, prolong seat life by eliminating friction at the metal-to-metal closure. Allowing the disc and stem to move independently of one another, enables the disc to seat and seal without twisting and abrading.

Durable inserted bonnet and oversized stem packing are commercial-grade.

Rising-stem design provides a quick visual reference of the disc position.

Designed for water or steam, where precise flow control is required.

Available in nominal pipe sizes 1/2" to 2".

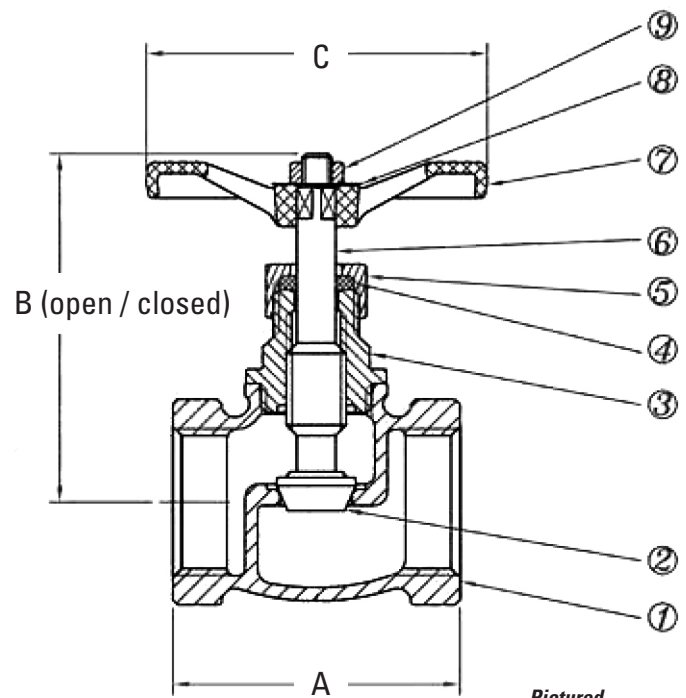
Working Pressure, Non Shock (PSI)

Cold working pressure (CWP): 200 p.s.i.
Saturated steam (WSP): 125 p.s.i. to 350° F maximum temperature

- Third-party tested and certified in compliance with U.S. Federal Public Law 111-380 (National lead-free plumbing law).
- Meets NSF 372 lead content requirements.
- Threaded connections comply with ANSI / ASME B1.20.1 (FNPT)
- Manufactured in an ISO accredited facility.



Pictured Model T-421NL



Pictured Model T-421NL Cut-away

MATERIAL SPECIFICATION		
PART	MATERIAL	SPECIFICATION
1 Body	Lead-free cast bronze	UNS Alloy C87850
2 Disc	Lead-free forged brass	UNS Alloy C69300
3 Bonnet	Lead-free forged brass	UNS Alloy C69300
4 Stem Packing	PTFE	Teflon**
5 Packing nut	Forged brass	UNS Alloy C36000
6 Stem	Lead-free forged brass	UNS Alloy C69300
7 Handwheel	Cast iron	ASTM A48 Class 35
8 Identification disc	Aluminum	Commercial grade
9 Handwheel nut	Steel	AISI 1010
10 Gland follower (*not shown)	Forged brass	UNS Alloy C36000
11 Disc nut (*not shown)	Lead-free forged brass	UNS Alloy C69300

*These components exist in the 1-1/4", 1-1/2" & 2" T-421NL only.

** Teflon™ is a registered trademark of the DuPont Company.

DIMENSIONS				
Size	A	B open / closed	C	***CV Factors (GPM, Full-Open)
1/2"	1.97	2.84 / 2.44	2.21	3
3/4"	2.21	3.27 / 2.87	2.21	3.6
1"	2.56	3.90 / 3.50	2.60	7.4
1-1/4"	2.95	4.29 / 3.86	3.03	11
1-1/2"	3.31	4.96 / 4.41	3.03	20
2"	3.94	5.95 / 5.32	3.94	26

***The CV factor is the gallons of water per minute passed through the valve with a 1 p.s.i. pressure drop.