

SUBMITTAL SHEET

JOB NAME	ITEM TAG
JOB LOCATION	PART NUMBER
CONTRACTOR	DATE
ENGINEER APPROVAL	DATE

LEAD FREE PACK JOINT COUPLING

Model T-4300NL

Lead-free design is suitable for all no-lead potable water installations, in full compliance of the lead-free plumbing law. CTS pack-joint end connections provide the maximum pullout resistance against internal pressure variations and backfilling stress.

Designed and manufactured for the repair of, or new underground water service applications only.

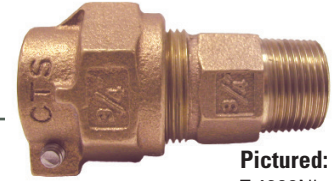
Insert stiffeners (Model T-4500, sold separately) are required at each pack-joint connection, when installing Polyethylene (PE) plastic tubing

Available in nominal sizes 1/2" to 2" copper-tubing-size x MNPT

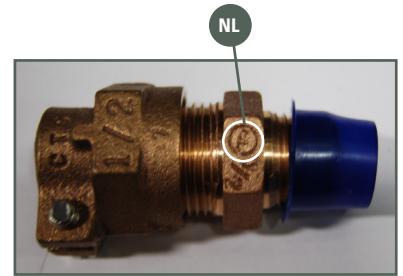
Working Pressure, Non Shock (PSI)

1/2" to 1": 100 psi - 100°F Max

1-1/4" to 2": 80 psi - 100°F Max



Pictured:
T-4300NL



Pictured:
NL Marking

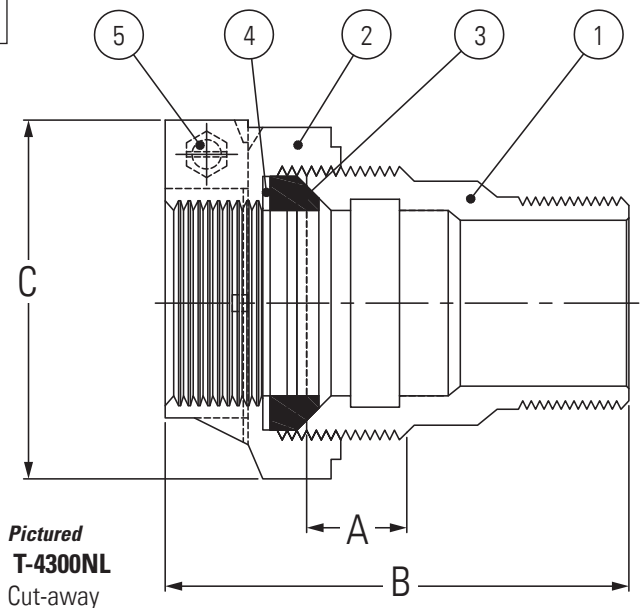
- Third-party tested and certified in compliance with U.S. Federal Public Law 111-380 (National lead-free plumbing law).
- Manufactured in full compliance to AWWA C800 Specifications (current revision).
- Male pipe thread end connections comply with ANSI/ASME B1.20.1
- Pack-joint end connections are designed to be installed onto the following tubing types:
 1. Types K or L copper water tubing compliant with ASTM B88.
 2. Polyethylene plastic tubing compliant with ASTM D2737 SDR 9 (Model T-4500 insert stiffener required).



MATERIAL SPECIFICATION		
PART	MATERIAL	SPECIFICATION
1 Body	Lead-free cast bronze	ASTM B584 UNS C89836
2 Pack-joint nut	Cast bronze	ASTM B584 UNS C83600
3 Pack-joint gasket	Buna-N (NBR) nitrilic rubber	Commercial grade
4 Pack-joint anti-friction ring	Nylon* resin	Commercial grade
5 Pack-joint clamp bolt	Stainless steel	AISI grade 304

*Nylon is a registered trademark of the DuPont company

DIMENSIONS			
Nominal size: CTS Pack-joint x MNPT	A	B	C
1/2"	0.48	2.57	1.56
3/4"	0.44	3.17	1.86
3/4" x 1"	0.60	3.28	1.86
1" x 3/4"	0.49	3.25	2.20
1"	0.49	3.63	2.20
1-1/4"	0.57	3.76	2.86
1-1/2"	0.61	4.08	2.84
2"	0.71	4.84	3.63



Pictured
T-4300NL
Cut-away