

# SKSDW2402P POWERSTEAM® PANEL-READY DISHWASHER

**SIGNATURE**  
KITCHEN SUITE



## POWERSTEAM® TECHNOLOGY

PowerSteam Technology offers maximum steam cleaning for fewer water spots, resulting in sparkling clean dishes.

## LODECIBEL™ QUIET OPERATION (44 dBA)

Signature Kitchen Suite dishwashers are among the quietest on the market, so you can enjoy a powerful clean—without disrupting your day.

## INTELLIGENT LIGHTING

The LED interior lighting makes the loading and unloading process easier, while a beam of light shines information on the floor to let you know the status of the cycle.

## EASY LOADING AND MAXIMUM FLEXIBILITY

The newly-enhanced EasyRack™ Plus system provides outstanding flexibility and convenience, adjusting to just about any load of dishes to help ensure optimal cleaning performance. The height adjustable 3rd rack provides more space and flexibility to fit virtually everything from flatware to espresso cups.

## WI-FI ENABLED FOR SMART CONTROL

Monitor cycle status and start cycles remotely, get notifications when a cycle is completed, and download and use specialized dishwasher cycles—all from a mobile device using the Signature Kitchen Suite™ app.

## Innovation

Wi-Fi Enabled for ThinQ® Control with iPhone / Android App	Yes
Remote Operations	Yes

## Performance

PowerSteam® Technology	Yes
QuadWash™ System	Yes
Inverter Direct Drive™ Technology	Yes
LoDecibel™ Quiet Operation	44 dBA
Number of Spray Arms	3 (Top, Upper, Lower)
SenseClean™ Wash System	Yes
Vario Wash	Yes
Hidden Water Heater	Yes
3-Stage Filtration System	Yes
Hybrid Condensing Drying System	Yes

## Features

Number of Wash Cycles	10 (Auto, Heavy, Delicate, Refresh, Normal, Turbo, Download Cycle, Machine Clean, Rinse, Express)
Number of Options	8 (Dual Zone, Half Load, Steam, High Temp, Extra Dry, Delay Start, Control Lock, Remote Start)
End of Cycle Indicator	Beeper + END Indication on Display
Detergent and Rinse-Aid Dispenser	Yes
Tub Light	Yes

© 2020 Signature Kitchen Suite. All rights reserved. Design, features and specifications are subject to change without notice. Specifications are for planning purposes only. Consult the product's installation instructions for final dimensional data and other details prior to making cutouts or custom panels. Consult with a heating and ventilation engineer for your specific ventilation requirements. Non-metric weights and measurements are approximate. Smart features require Internet access.

1-855-790-6655 | [www.signaturekitchensuite.com](http://www.signaturekitchensuite.com)

**SKSDW2402P**  
**POWERTEAM® PANEL-READY**  
**DISHWASHER**

**Style and Design**

Door Style	Panel Ready
European Style for Flush Installation	Yes
Electronic Controls	Top Control
Light Beam Status Indicator	Yes
Time Remaining Indicator	LED Light Beam
Tub Material	NeveRust™ Stainless Steel
Balanced Door	Yes

**Capacity**

Total Place Settings	14
EasyRack™ Plus System	Yes
Height-Adjustable 3rd Rack	Yes
Height Adjustable Upper Rack	Yes
Cutlery Baskets	Yes
Cup Rack	Yes
Stemware Holder	Yes
Fold Down Tines	Full Fold Upper / Lower
BPA-Free Nylon Coated Racks / Tines	Yes
Rack Handle	Upper / Lower
Glide Rail	Yes
Wheel Bearing	Yes

**Technical Specs**

ENERGY STAR® Certified	Yes
Energy Use (kWh/Year)	269 kWh/Year
Water Use (Gallons/Cycle)	2.9
Required Power Supply	120 V, 60 Hz, 15 Amp
Inlet Water Temperature	120 °F min. - 149 °F max.
Water Pressure	20 – 80 psi

**Dimensions and Weight**

Overall Width (Inches)	23 1/2"
Overall Height (Inches)	32 1/16" – 34 7/16"
Overall Depth (Inches)	21 13/16"
Depth with Door Open	47 13/16"
Net Weight (approx.)	88 lbs
Shipping Weight (approx.)	99 lbs

**Warranty Summary\***

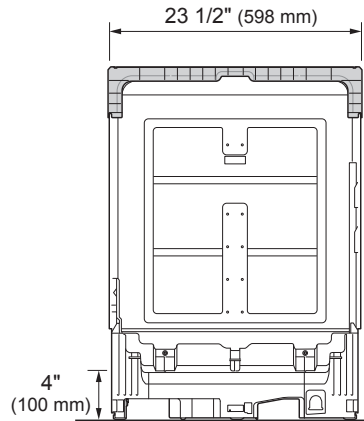
Limited Warranty, Parts & Labor	3 Years
Limited Warranty on Control Board and Rack Parts, Parts and Labor	5 Years
Limited Warranty on Direct Drive Motor, Parts and Labor	10 Years
Limited Warranty on Stainless Steel Door Liner or Tub, Parts and Labor	Lifetime

\*These warranties give you specific legal rights and you may have other rights that vary from state to state. For complete warranty details, refer to your Use & Care manual.

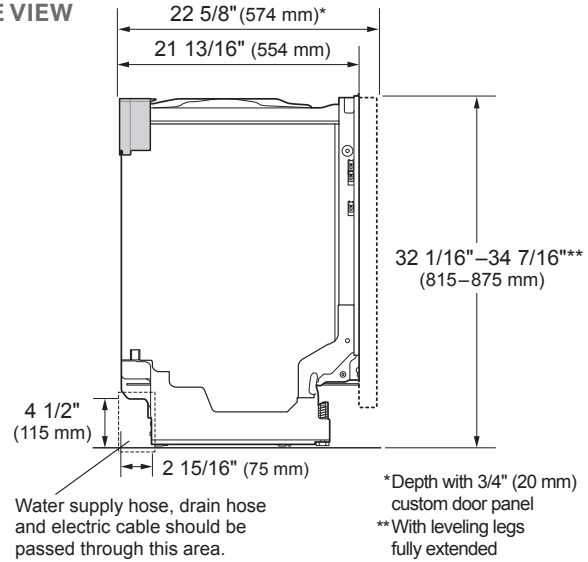
# SKSDW2402P POWERTEAM® PANEL-READY DISHWASHER

## OVERALL PRODUCT DIMENSIONS

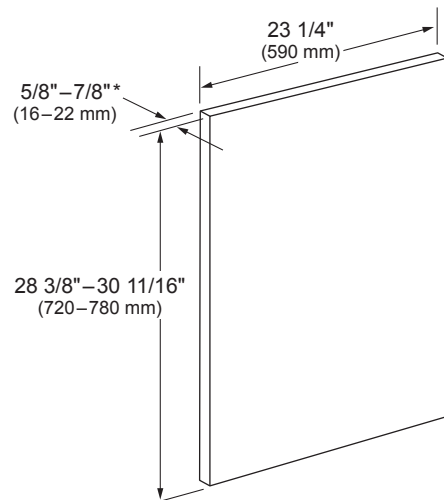
### BACK VIEW



### SIDE VIEW

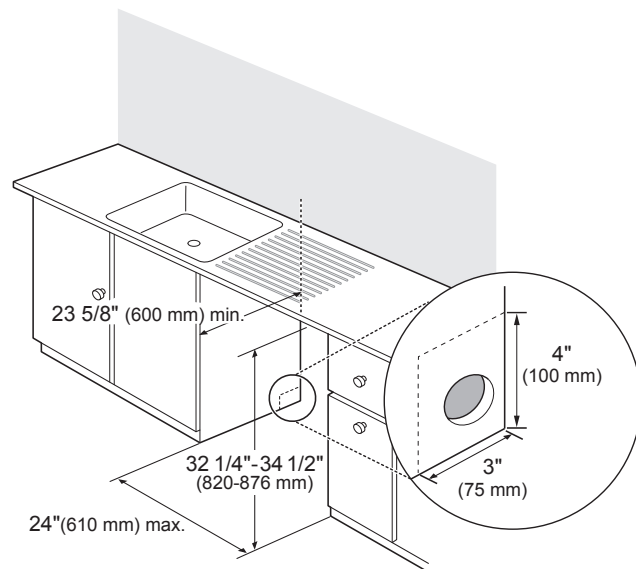


## CUSTOM PANEL DIMENSIONS



\*3/4" (20 mm) recommended panel thickness.  
5.5-24.2 lb. panel weight.

## INSTALLATION CLEARANCES



## Notes

This dishwasher is designed to be installed flush with a field-installed, 3/4" (20 mm) custom door panel. The dishwasher depth is European-style, designed to sit completely flush in 24" deep cabinets, within a standard dishwasher opening.

An opening may be needed on both sides to route plumbing and electrical connections. See marked areas above for water and electrical clearances in base of dishwasher.

To ensure proper drainage, install the dishwasher no more than 12 ft. (3.65 m) from the sink.

Electrical connection should be in an accessible location adjacent to and not behind the dishwasher and within 4 ft. (1.2 m) of the dishwasher's side.