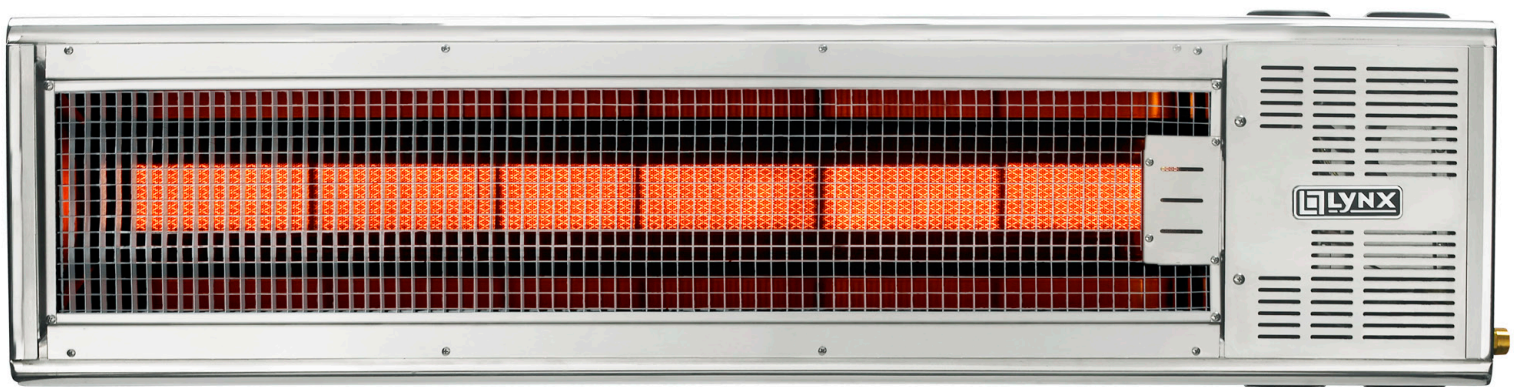


MAKE THE MOST OF YOUR



LYNX EAVEMOUNT HEATER (LHEM48)  
CARE & USE/INSTALLATION



## WARNINGS



### WARNING

- Never use dented, rusty or damaged propane cylinders. Never store additional or empty propane cylinders in the vicinity of this or any other appliance. Do not store propane cylinders indoors or on their sides.
- Children should never be left alone or unattended in an area where this appliance is located. Install your heater well away from areas where children play. Do not store items that may interest children in or around the area of your heater.
- Never touch the heater face when hot. When in use, portions of the heater are hot enough to cause severe burns.
- Always maintain the required clearances from combustibles as detailed. The heater is designed for outdoor use only. Never use in a garage, building, shed, breezeway, or other enclosed area. Local codes regarding head clearance requirements must be observed.
- Certain materials or items, when stored under the heater, will be subject to radiant heat and could be seriously damaged.
- Gas heaters are not design certified for and are not to be installed in or on recreational vehicles, portable trailers, boats or any other moving installation.
- Always have an ABC Fire Extinguisher accessible.
- Keep any electrical supply cord and the fuel supply hose away from any heated surfaces.
- Do not repair or replace any part of the heater unless specifically recommended in this manual. Other service should be performed by a qualified technician.
- This appliance must be installed by a professional installer or technician. Be sure that he/she shows you where your gas supply shut-off is located. All gas lines must have a shut-off valve that is readily and easily accessible. If you smell gas, check for gas leaks immediately at the external pipe or hose connections. Check only with a soap and water solution. Never check for gas leaks with an open flame. See section "Checking for Gas Leaks" for further details.
- If you are using an LP gas tank, inspect the LP gas supply hose prior to each use of the accessory. If there is evidence of excessive abrasion or wear, or the hose is cut, it must be replaced before using the appliance.
- Never remove the grounding prong from the plug or use this product with an ungrounded, 2-prong adapter.

**THIS MANUAL MUST REMAIN WITH THE PRODUCT OWNER FOR FUTURE REFERENCE.**

This product complies with ANSI standard Z83.26-2007/ Z83.26a-2008 and CSA 2.17-2007/CSA 2.37a-2008 and has been tested and approved by Intertek.



To obtain replacement parts or service contact:

Lynx Grills, Inc.  
62201 Hwy 82 West  
Greenwood, MS 38930  
888-289-5969

# WARNINGS



## WARNING

READ THIS MANUAL CAREFULLY and completely before using your heater to reduce the risk of:

1. Fire
2. Burn hazard, personal injury or property damage
3. Unapproved installation or servicing.

THIS PRODUCT IS DESIGNED FOR OUTDOOR USE ONLY. Improper installation, adjustment, alteration, service or maintenance can cause property damage, injury or death.

Read this manual thoroughly before installation, use, or servicing of this product.



## DANGER

### IF YOU SMELL GAS:

1. Shut off all gas supply lines to the heater.
2. Extinguish any open flames.
3. If odor continues, keep everyone away from the heater and immediately call your gas supplier or your fire department.



## DANGER

### S'IL Y A UNE ODEUR DE GAZ:

1. Coupez l'admission de gaz de l'appareil.
2. Éteindre toute flamme nue.
3. Si l'odeur persiste, éloignez-vous de l'appareil et appelez immédiatement le fournisseur de gaz ou le service d'incendie.



## WARNING

1. DO NOT store or use gasoline or other flammable vapors and liquids in the vicinity of this or any other appliance.
2. An LP cylinder not connected for use shall not be stored in the vicinity of this or any other appliance.



## AVERTISSEMENT

1. Ne pas entreposer ni utiliser de l'essence ni d'autres vapeurs ou liquides inflammables dans le voisinage de l'appareil, ni de tout autre appareil.
2. Une bouteille de propane qui n'est pas raccordée en vue de son utilisation, ne doit pas être entreposée dans le voisinage de cet appareil ou de tout autre appareil.



## WARNING! CALIFORNIA PROPOSITION 65

1. The burning of gas cooking fuel generates some by-products which are on the list of substances which are known by the State of California to cause cancer or reproductive harm.
2. California law requires businesses to warn customers of potential exposure to such substances. To minimize exposure to the substances, always operate this unit according to the use and care instructions found in this manual. Be certain to provide adequate ventilation when cooking.

## WARNINGS



### DANGER - CARBON MONOXIDE HAZARD

- This appliance can produce carbon monoxide which has no odor. If not installed, operated, and maintained in accordance with manufacturers instructions, the emissions from this product can cause serious illness or death. Never use this appliance in an enclosed space.



### WARNING

- The outdoor gas appliance and its individual shutoff valve must be disconnected from the gas supply piping system during any pressure testing of that system at test pressures in excess of 0.5 psi (3.5 kPa).
- The outdoor gas appliance must be isolated from the gas supply piping system by closing its individual manual shutoff valve during any pressure testing of the gas supply piping system at test pressures equal to or less than 1/2 psi (3.5 kPa).



### STATE OF MASSACHUSETTS

- Massachusetts requires all gas be installed using a plumber or gas fitter carrying the appropriate Massachusetts license.
- All permanently-installed natural gas or propane installations require a “T” handle type manual gas valve be installed in the gas supply line to this appliance.
- This does not apply to portable propane installations using a 20 pound cylinder.



### WARNING - ELECTRICAL GROUNDING

- Product installation must meet local electric codes or, in the absence of local codes, the latest edition of the National Electrical Code ANSI/NFPA No. 70 or the Canadian Electrical Code CSA C22.1.
- Use only a Ground Fault Interrupter (GFI) protected circuit when plugging in the AC adaptor of this appliance.
- This appliance is equipped with a low voltage, AC adaptor. All connecting cords must be for outdoor use. Cords must have a “W-A” marking, and must be plugged directly into a properly grounded three prong outlet.
- To protect against electric shock, do not immerse any part of the extension cord or any plugs in water or other liquid.
- Unplug the AC adaptor from its power source when long periods of time are anticipated for the appliance to be out of use.
- Do not operate any outdoor appliance with a damaged cord, plug, or after the appliance malfunctions or has been damaged in any manner. Contact the manufacturer for repair.

---

## FEATURES

---

Thank you for your purchase of our LYNX Deluxe Eave Mount Patio Heater. This product has been manufactured with the highest quality materials available, and combines the most advanced, state of the art, internal components with cutting edge, heater design technology. This product is sure to provide you many years of enjoyment and comfort. The design elements of this heater including its Lynx, signature polished highlights, and slim attractive appearance, allow it to be mounted with pride in highly visible locations of your home. It will most likely architecturally blend and enhance any portion of your home in which you chose to install it. Please read this entire manual before attempting to install or operate your new heater.

---

### FEATURES OF YOUR LYNX EAVE MOUNT PATIO HEATER:

---

- Manufactured completely from Stainless Steel with welded construction
- Spark ignition with heat sensing safety pilot
- Slim, custom profile
- Attractive and adjustable heavy duty mounting brackets (extension is made from 6 GA, 3/16" thick stainless). Can be adjusted from 10" to 18"
- Mounting pivot adjustability from 0 -30 degrees from the horizontal. Allows for a precise direction of heat.
- Decorative safety grill provides wind resistance and protection from sudden gusts.
- Convenient DC operation. Requires no 110V electrical routing for basic installation.
- Operates with an attractive wireless wall mounted, On-Off-Hi-Low switch.
- Operates additionally with a highly sophisticated touch screen, remote control device.
- Remote control provides 6 levels of heat adjustment for NG gas type and 3 levels for LP gas type.
- Heat adjustment is viewable as either digital temperature readout, or as a numerical readout displaying the 6 heat levels.
- Infrared technology provides a burner that generates up to 35,000 BTU's of heat. Adjustable down to 27,000 BTU's (LP) and 24,000 BTU's (NG)
- 110 V AC Adaptor included.

---

## MOUNTING CONSIDERATIONS

---

Special considerations should be made when selecting a location for your heater before installation. The most important of which should be a location that will serve to be the most functional and useful in providing heat. Suggested locations would be under an eave, on a wall of an open or partially enclosed patio, or on a fascia. This heater has been thoroughly tested and certified to function during and after mild rain storms, and during mild wind conditions. Be aware that by avoiding locations that subject your heater to constant wind or rain exposure will greatly extend the life of your new heater. Other considerations include its mounting position in relation to combustible materials. Combustible materials include wood, wood fascia, wood siding, stucco mounted over wood studs, vinyl siding, and drywall. See installation diagrams that reference mounting distances.

---

### MOUNTING CONSIDERATIONS

- Select a location that provides the most functionality.
- Avoid locations that are prone to direct wind or rain exposure.
- This heater provides ample heat and large heat adjustability. It does not have to be located at eye level, as, its high output will allow a distant location to still be affective.
- Do not mount this heater indoors or in a totally enclosed room. It needs air to breathe and vent.
- Avoid locations that are in close proximity to combustible materials (see illustration diagrams and mounting distances)
- Avoid locations that are so low that the installation could cause danger for those passing by.
- Standard and preferred installation places the gas exit (and vented valve access cover) of the heater on the RIGHT side. This position places the gas exit and the AC adaptor cord at the REAR of the heater installation. This method is preferred, not only from a visual standpoint, but allows for slightly less pipe routing, and creates more pivot adjustability. There are times where right side hook up is not practical. The left side installation is still acceptable and the heater will perform equally as well. Simply consider that there will be slightly more gas line routing to perform.
- Do not mount heater within a close proximity to fire sprinklers (4 ft. minimum recommended) to avoid accidental activation of the sprinklers.
- It is recommended that the AC adaptor be used and the DC battery operation used as a secondary ignition source. Consider the proximity of the nearest 110V AC GFI grounded power outlet to the location of the heater. The power cord on the AC adaptor is 24 In. long and plugs directly into the right side wall of the heater. If there is no AC GFI grounded outlet near the desired installation site then one should be added by a qualified electrician. An outdoor extension cord can also be used, on a temporary basis, to bring AC power to the adaptor plug location.

---

### CODE REQUIREMENTS

When connecting to a fixed fuel piping system the Installation must be in accordance with local codes, or in the absence of codes, with the latest edition of the National Fuel Gas Code, ANSI Z224 (in Canada CAN/CGA-B149.1 and -B149.2).

If AC power is being routed for AC/DC Transformer hook-up, then the National Electrical Code ANSI/NFPA 70 shall apply (in Canada the Canadian Electrical Code CSA C22.1 Part 1 and Part 2 shall apply)

## BEFORE YOU START



### WARNING

**SPRINKLERS:** This appliance must be located at an appropriate distance away from fire sprinklers (4ft min. recommended) to avoid accidental activation of sprinkler. Ethylene glycol or propylene glycol must never be used in fire sprinkler systems where heaters are present, as these substances may become flammable when heated. A fire sprinkler professional must be consulted when heaters are installed where fire sprinklers are present to insure that heaters and fire sprinklers are properly integrated. Specific guidelines can be found in NFPA 13 regarding design and specifications for fire sprinkler systems near heaters.

## IF SHIPMENT ARRIVES DAMAGED

### VISIBLE LOSS OR DAMAGE

Be certain any visible damage to the carton is noted on freight bill or express receipt and signed by the person making delivery.

FILE CLAIM FOR DAMAGES IMMEDIATELY, regardless of extent of damage.

### CONCEALED LOSS OR DAMAGE

If damage is unnoticed until the heater is unpacked, notify the transportation company or carrier immediately and file a "concealed damage" claim with them. This should be done within (15) days of the date delivery is made to you. Be sure to hold on to the container for inspection. We cannot assume responsibility for damage or loss incurred in transit. (See "Contacting Lynx" for further details. page 31)

## IMPORTANT NOTES

### WHERE'S THE WIND?

When selecting a suitable location, consider important factors such as exposure to the wind. Caution should be used when heaters are located in areas with prevailing winds.

### HOW LONG IS YOUR RUN?

Keep all gas supply lines as short as possible because gas lines lose pressure over distance and with each elbow and tee that is added. This drop in pressure affects heater performance.

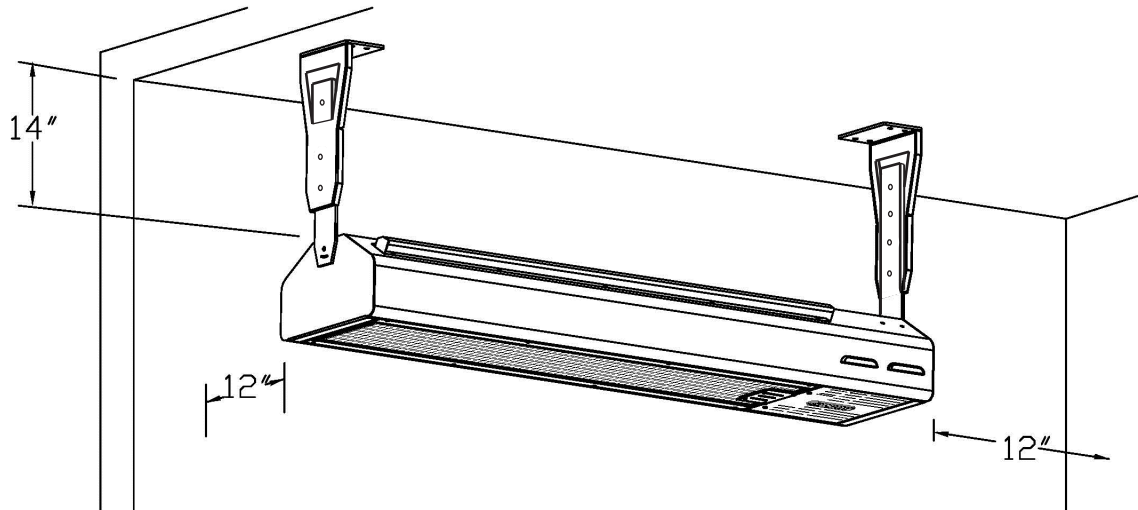
MAXIMUM RUNS FOR ALL APPLIANCES ON SUPPLY LINE	
Run Length 3/4" Pipe (in feet)	Max BTU for all Appliances on line
10	360,000
20	245,000
30	198,000
40	169,000
50	150,000
60	135,000
70	123,000
80	115,000



# CLEARANCE TO CONSTRUCTION

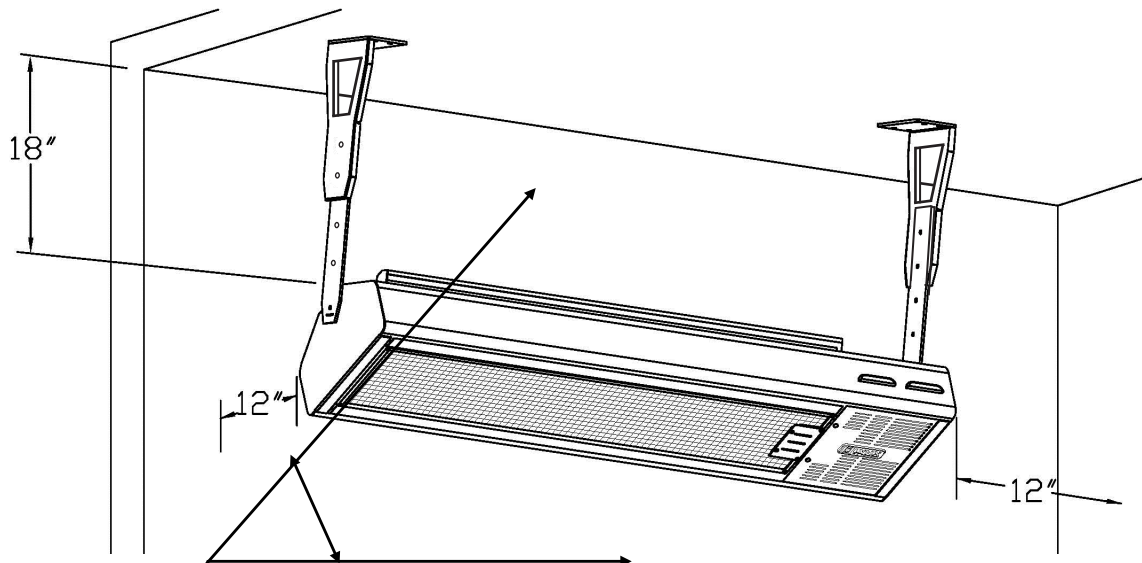
## STRAIGHT MOUNTING

If the heater is to be mounted facing straight down with no angle on its pivot point, then the heater must be mounted **NO CLOSER** than 14" from any overhead combustible construction. The side clearances must be **NO CLOSER** than 12" to a side wall, and the rear clearances must be **NO CLOSER** than 12" to a rear wall. Use the **LOWEST** pair of holes in the mounting bracket extension arms. See illustration below.



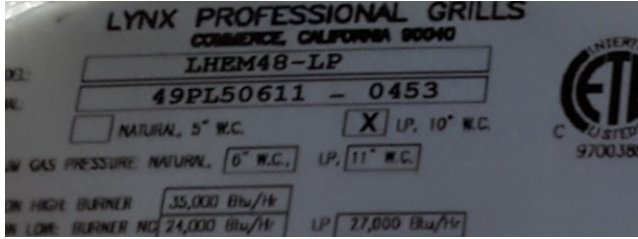
## ANGLED MOUNTING

If the heater is to be mounted at an angle up to 30 degrees on its pivot, then the heater must be mounted **NO CLOSER** than 18" from any overhead combustible construction. The side clearances must be **NO CLOSER** than 12" to a side wall, and the rear clearances must be **NO CLOSER** than 12" to a rear wall. Use the **HIGHEST** pair of holes in the mounting bracket extension arms. See illustration below.



# GAS CONNECTION INFORMATION

The heater is factory set to use either propane (LP) or natural gas (NAT). This heater is dedicated to one of these two gas types and it is not easily field convertible. It is critical that the gas you use matches that which the heater was set up for. You can verify that by checking the **rating plate**.



The Rating plate lists model/serial numbers and gas type.

The rating plate is located in the following places:

- Attached to the top of the heater housing
- Inside the valve compartment, behind the access cover

Ensure that the gas supplied meets with the minimum pressure requirements. Do not operate the heater on any gas other than that for which the heater has been set.

Fuel	WC Min-Max Inlet	WC Min Under Full Load at Valve
Nat Gas	6-10 in	5 in
LP	11-13 in	10 in

## Water Column Requirements

It is important that the inlet gas piping system be size properly for the gas appliance that it serves. Please use the above chart for verification of the Gas Inlet Pressure required for this product.

## NATURAL AND LP GAS

All gas connections must be made by a qualified technician, specifically trained in the installation of this type of gas appliance. Some states or provinces require this trained personnel be licensed. Installations must be performed in accordance with local codes, or in the absence of local codes, the regulations governed by that state or province. To ensure satisfactory performance, the gas supply line must be sized to accommodate the total BTU requirements of all the gas-fired equipment that will be connected to that line.

Additionally, each 'T' or elbow that is added to the line can also reduce pressure. This drop in pressure can affect overall heater performance.

- Calculate the total BTU output of all equipment and refer to "Gas Supply Line Runs" for allowable run distances for ¾ inch pipe. Failure to meet these minimum requirements may reduce performance of the heater and any other appliances running on that supply line.
- Always keep supply line runs as short as possible.
- A minimum pipe size of ½" is required for inlet piping. The supplied exit coupling of this heater is ½" NPT (female). A ½" lever-handled, manual gas shut-off valve should be installed within 6 feet of the appliance to allow emergency gas shut-off and provide isolation for servicing.
- A gas shut-off valve must be installed in an easily accessible location by a qualified plumber.
- Keep threading compound off of the first two pipe threads to avoid having any small pieces of compound break loose and clog a burner valve or orifice.
- All gas pipe connections to the heater must be sealed with gas pipe compound or Teflon sealing tape. Prior to use, the gas supply line should be checked for leaks by applying a mild solution of soap and water. Never use an open flame to check for leaks. See section titled 'Checking for Gas Leaks' on page 17.

Keep last two threads clean



**IMPORTANT NOTE:** There is a pressure tap built into the valve system used on the Lynx Eave Mount Patio Heater. To access this tap, remove the 2 screws which hold the louvered plate on the END CAP of the heater. Remove this plate and look for the 2 smaller, slotted, brass screws. The uppermost screw is the OUTLET pressure (as seen when the heater is pointed downward). The lower screw is the INLET pressure. To access either inlet for taking measurements, turn the screw until it becomes loose. It will not fall out, as, it is captivated in the valve. Be sure to re-tighten screw after pressure measurements have been taken (see pg 29).

---

## GAS CONNECTION INFORMATION ...*continued*

---

A typical gas supply line might consist of ½" piping beginning at the gas supply source. This line will be routed, within the shortest possible distance, up to the vicinity of the heater location (30 Ft. MAX). This line, as previously mentioned, will have a ½" lever-handled gas shut-off valve installed in-line, and within 6-feet of the termination point. After final heater positioning and mounting angle is created, the pipe line is then routed directly to the ½" NPT (female) coupling at the end of the heater. As an alternate to this installation, after the gas line has been routed to the vicinity of the heater, and after final positioning and pivot angle has been determined, a short gas flex line can be installed from the end of the hard pipe to the ½" NPT (female) coupling on the heater. This flex line should be 1/2" I.D. (5/8" O.D.), Stainless Steel, with ½" MIP fittings at both ends. A ½" FIP coupling will then be used to connect the flex line to the hard pipe. The use of this flex line allows for additional angle (pivot) adjustment of the heater after installation has been complete.

---

### GAS LINE PURGING

---

You should purge the gas line of air before attempting to light the heater.

- Slowly turn on the main gas supply.
- With the gas on, loosen one connection near the heater until you either 'hear' gas or 'smell gas'. Tighten connection immediately. This should purge the remaining air from the lines.

---

## ELECTRICAL CONNECTION INFORMATION

---

---

### ELECTRICAL SUPPLY SPECIFICATIONS AND CONNECTIONS

---

Touch Screen Remote Control- 6.0 V (four 1.5 V AAA batteries) supplied

Radio Frequency (Remote Control and Receiver) – 303.8 MHz

Heater Battery Supply- 6.0 V (four 1.5V AA batteries) supplied

Receiver Module – powered by battery supply and/or AC Adaptor

Valve and Pilot- rated @ 3 V DC

AC/DC Adaptor (Transformer)-Input AC 100-240V-0.3A, 60/50Hz Output 7.5V ---1000mA 10W Max, cord length -24 in

NOTE: If the AC/DC Transformer (Lynx P/N 33937) is NOT being used, then there is no preliminary electrical preparation required. If the transformer IS going to be used, then there must be electrical considerations. A GFI protected, 110 V grounded electrical power outlet must be placed within 24 inches of the end, DC jack receptacle on the heater.

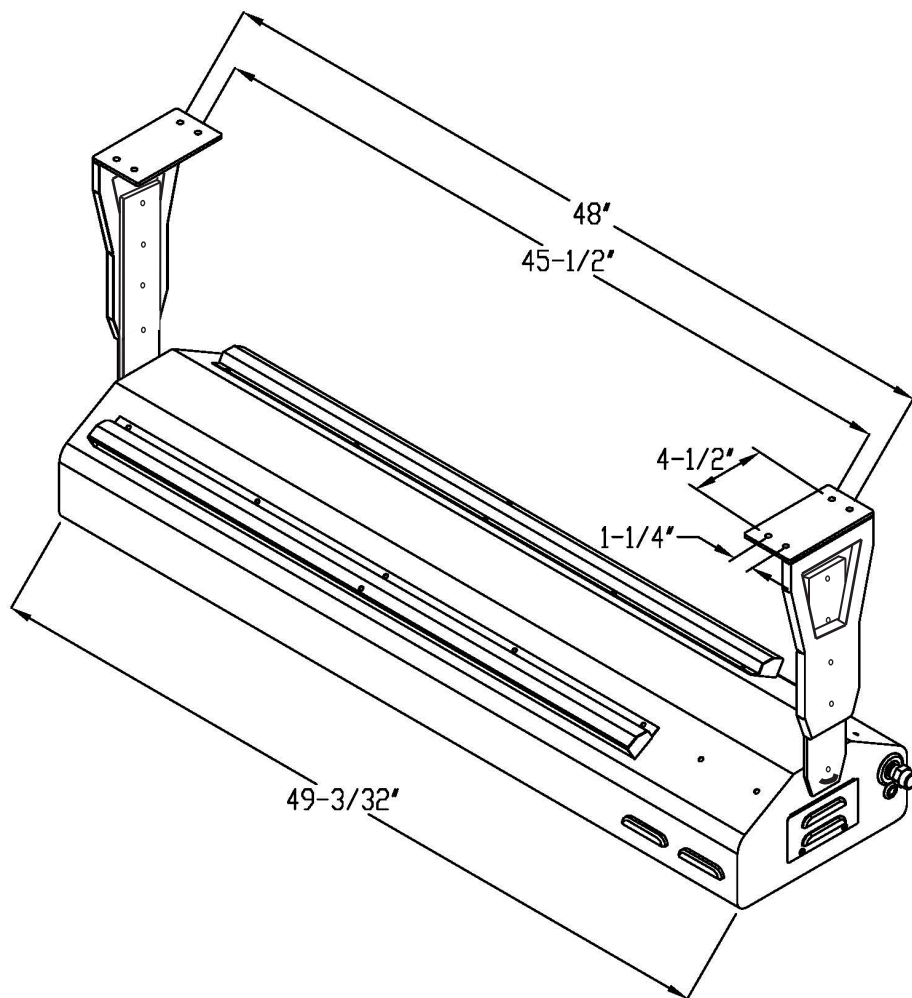
# INSTALLATION

## MOUNTING THE HEATER

Initial mounting considerations have been discussed, and now it's time to commit your placement theory into motion. Consider the following pieces of information to help you through: The Lynx Eave Mount Patio Heater is made from the finest materials available- heavy gauge stainless steel. As a result, this heater is heavy- It weighs around 50 pounds and must be mounted securely. The '100 pound rule' should be followed, whereas, it must be mounted such that the anchors will support at least 100 pounds, or it may be considered a 'suspension hazard'.

**FAILURE TO INSTALL THE HEATER IN SUCH A MANNER MAY CAUSE THE HEATER TO FALL, RESULTING IN PROPERTY DAMAGE, INJURY, OR DEATH. ADDITIONALLY, LOCAL CODES REGARDING HEAD CLEARANCE REQUIREMENTS MUST BE OBSERVED.**

Each mounting bracket is provided with (4) mounting holes. A quantity of (8) 5/16 x 1/1-2" Stainless lag bolts have been provided for installation. If mounting into solid wood, for example, an eave joist, then only 2 holes (front to back holes) per bracket need to be used (the inside holes nearest the vertical wall). Otherwise, use all (4) holes per bracket. If mounting into a 'hollow surface', for example, stucco over wallboard and studs, then 5/16" anchors, that are appropriate for the mounting surface, must be used (not provided). The distance between the outermost holes of the mounting brackets, across the heater length, is 48". This distance is intended to accommodate standard roof joist spacing of 24" O.C. The distance between the innermost holes of the mounting brackets is 45-1/2". The short distance between the holes (side to side) on each mounting bracket is 1-1/4". The long distance (front-to back) is 4-1/2". See illustration.



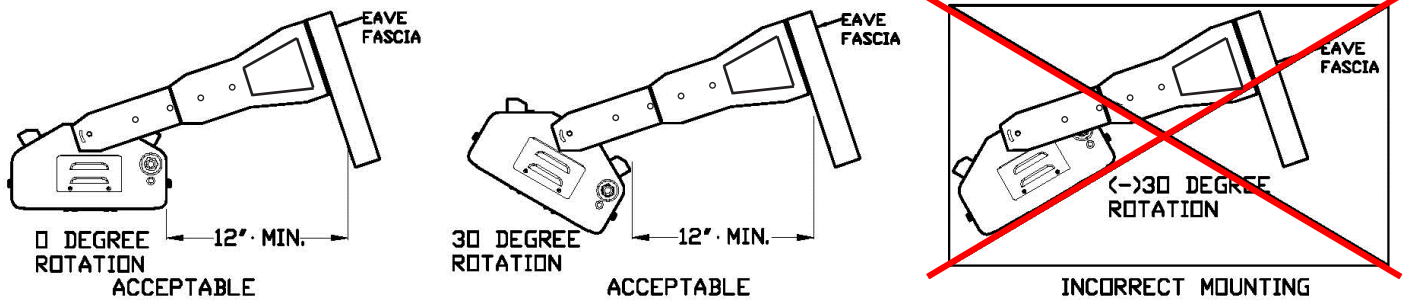


**Important Note!**

Use only the mounting brackets provided with this heater. Heater must be installed in a horizontal manner parallel with the ground. The heater can, however, be tilted upward to a maximum of 30 degrees. NEVER mount the heater on a vertical axis. Such an installation is considered unsafe and will void all warranties.

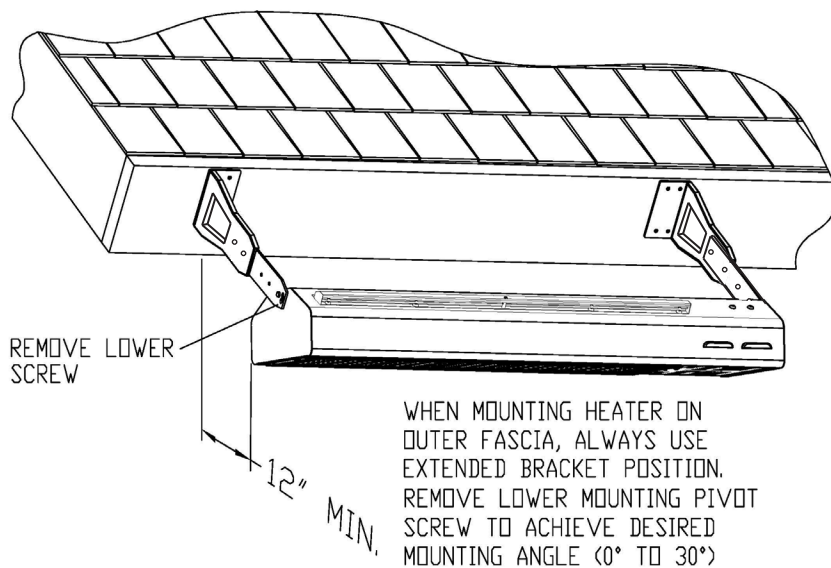
**EAVE FASCIA MOUNTING**

If the heater will be mounted on the fascia of an eave, then the heater shall be mounted with the brackets in the EXTENDED position only. The heater shall be mounted in either the straight down position, or angled upward to a maximum of 30 degrees AWAY from the house. CAUTION: DO NOT MOUNT HEATER FACING TOWARD the house. This position would allow exhaust heat to be directed toward the combustible surfaces. It is important to note that when mounting on a fascia the lower pivot mounting screw (normally located within the curved slot) will NOT be used.



In all mounting configurations, it is critical to NOT exceed a MAXIMUM pivot angle of 30 degrees. When using this mounting configuration, since the lower pivot bolt will not be used, the maximum angle control slot will also not be used.

The maximum 30 degree pivot angle can be determined by sighting the angled surface near the top of the heater. When this surface is parallel with the ground, the heater is at 30 degrees ( See illustration on page 9). When mounting on a fascia, NO PORTION OF THE HEATER SHALL BE CLOSER THAN 12 INCHES FROM THE FASCIA SURFACE.



# INSTALLATION...continued

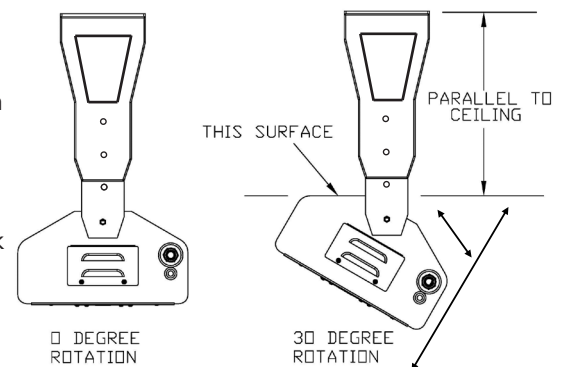
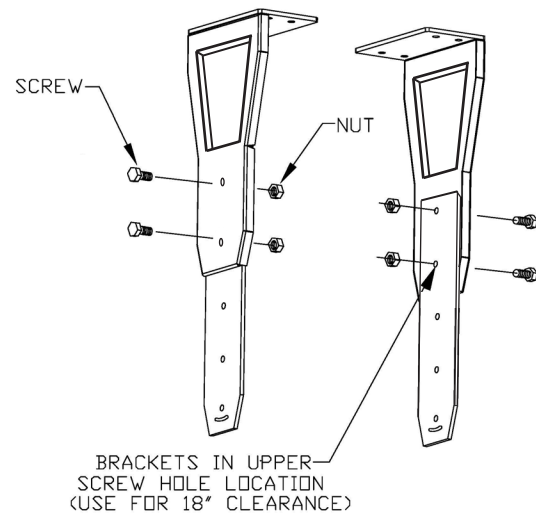
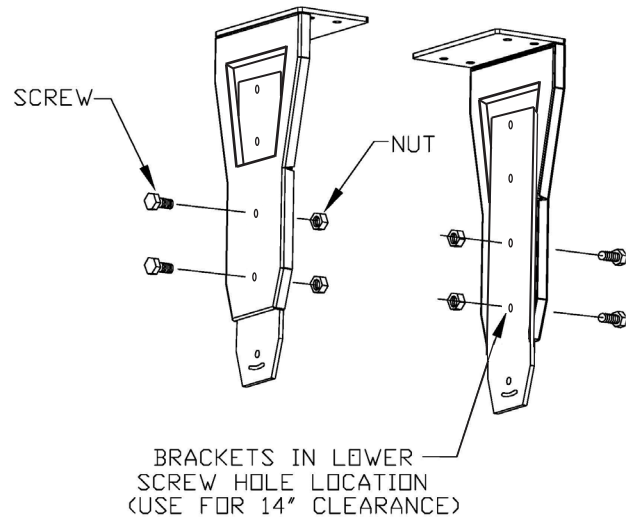
## MOUNTING BRACKET ASSEMBLY

Locate and assemble the mounting brackets based on your pre-determined mounting distance to the ceiling (14" if mounting flat, 18" if mounting at an angle). Slide the long bracket extension INSIDE the main mounting bracket until the intended set of holes align. The entrance slot is at the bottom of the main mounting bracket. For each bracket, use quantity (2) ¼-20 x ½" Hex Bolts (provided).

Carefully insert each screw through the 2 larger holes of the main mounting bracket and through the lower holes (for the 14" position), OR through the 2 upper holes (for the 18" position) of the mounting bracket extension. Tighten both nuts securely. Snap the decorative cap over each larger hole of the main mounting bracket. Repeat for other bracket. See illustration.

After assembling the mounting brackets, they can be installed in the pre-selected location. The spacing of the outer-most sets of holes of the mounting brackets is 48". The spacing of the inner-most sets of holes is 45-1/2". See mounting bracket spacing diagram on page 12. These numbers are given to you as a reference for planning. Mount one single mounting bracket first. Choose the side which may be the closest to a combustible material. This way it is easier to measure and determine that the exact minimum clearance is being adhered to. If mounting onto wood predrill pilot holes using ¼" drill. (If surface is other than wood, then anchors will be needed - follow instructions that come with the anchors) If the mounting bracket is resting entirely on the wood surface mount using all (4) screws per bracket. It mounting on the edge of a wood joist then use the 2 holes closest to the vertical wall of the bracket. Install the second bracket 48" from outer-most set of holes on the first bracket. THIS WILL CREATE A RESULTING DIMENSION OF EXACTLY 49-3/32" BETWEEN THE EXTENSION ARMS OF THE BRACKET. If not, then re-measure and mark again. Pre-drill and mount the second bracket.

Place the heater into location on the ground directly under the mounting brackets. Using 2 people, and 2 ladders carefully lift the heater into position. Place the heater inside the extension arms of the brackets and secure the heater at both ends, first with (2) ¼-20 x 1" hex head bolts. Mount screws in the UPPER holes first. Tilt the heater into the pre-determined angular position (0-30 degrees). Install the second set of ¼-20 x 1" hex head bolts through the curved slots directly below the first holes. The maximum 30 degree angle will be achieved when the screw is 'bottomed out' at one end of the curved slot. This angle can also be sited by looking at the angled surface on the back of the heater. When the angled surface is PARALLEL to the ground (or the ceiling) the then heater is at 30 degrees. DO NOT MOUNT THE HEATER MORE THAN 30 DEGREES, as damage can occur to the protective grill. Always use the 2 bolts per side and always use the bottom curved slot for angle positioning (EXCEPTION- eave fascia mounting does not require bottom bolt for mounting).



# GAS CONNECTIONS

## MAKING THE GAS CONNECTIONS

Gas connections will vary depending on heater mounting location selected and the gas type (NG or LP) being used. See also previous section 'Gas Supply and Connections'. Prior to mounting the heater, the gas connections were considered and an overall routing 'plan' was established. A minimum pipe size of 1/2" is required for inlet piping. The supplied exit coupling of this heater is 1/2" FIP (female). A 1/2" lever-handled manual gas shut-off valve should be installed within 6 feet of the appliance to allow emergency gas shut-off and provide isolation for servicing.

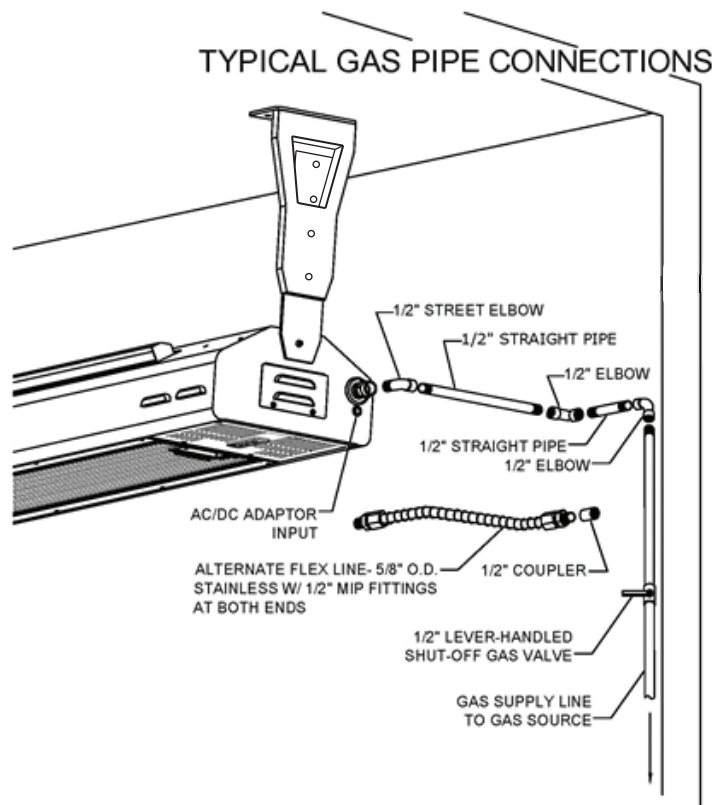
With the exception of flared fittings, all gas pipe connections to the heater must be sealed with gas pipe compound or Teflon sealing tape. Prior to use, the gas supply line should be checked for leaks by applying a mild solution of soap and water. Never use an open flame to check for leaks. See section titled 'Checking for Gas Leaks', page 17.

Run the gas line to the vicinity of the heater. It is recommended that the gas line be securely fixed to the wall or mounting surface. **WARNING:** do not run gas line in a

location that it can be tripped over or in a location that passes by either the heat output or the exhaust of the heater. This gas line can now be attached directly to the heater using a series of elbows and short sections of straight pipe (nipples), sufficient to lead gas piping from the wall to the inlet of the heater. The final fitting will be a 1/2" NPT male pipe to mount directly into the heater. A 30" Stainless Steel flexible line 1/2" I.D. (5/8" O.D.) with 1/2" MIP (male) fittings at both ends. A 1/2" FIP (female) coupling would then be used to connect the flex line to the hard pipe.

Please note that when gas is hard piped, an external gas-pressure regulator is not required as the heater is equipped with an internal, built-in gas-pressure regulator as part of the gas control valve.

An alternative to the hard pipe installation (NG or LP) is to use a metal flex hose which mounts directly from the main gas source and extends directly into the heater inlet. See illustrations below for installation techniques.





### DANGER!

To prevent fire or explosion, DO NOT smoke or allow any potential source of ignition (sparks, electrical arcing, cell phones, etc.) in the area while performing a leak test. Leak tests should be conducted outdoors only. Never conduct a leak test using fire or open flame.

### CHECKING FOR GAS LEAKS

The following leak test procedure is to be performed on all newly installed gas pipes, fittings, and connections:

1. Create a soapy solution of 1 part dish soap and 3 parts water.
2. Turn ON the fuel supply.
3. Apply the soap solution by squirt bottle or paint brush on all connections and fittings.
4. If bubbles appear to 'grow' on any of the connections, you have a gas leak. IMMEDIATELY turn OFF the gas supply.

### FIXING A GAS LEAK

1. At the identified point of leakage, assure that the joint was sealed with gas pipe compound or Teflon sealing tape. If either of these are missing, then the connection must be unassembled and reassembled with proper sealing compound.
2. If the connection has the proper sealing compound, then tighten the fittings further. Re-apply the soap solution and re-test for gas leaks.
3. If gas leak still exists, then it is recommended that the entire section of pipe and fittings around the leak be unassembled. Examine each fitting and assure that all threads are 'true' and that no fittings or pipe have deformation. If so, replace them with new fittings. Once again, apply sealing compound around all joints

and re-assemble the pipes and fittings. If a flexible gas line is being used to connect the heater to the hard piping, and the leak is at that section, then be certain the fitting attached to the heater is the proper 1/2" MIP fitting, and the fitting at the other end is also a 1/2" MIP fitting used with a 1/2" coupling to join to the 1/2" pipe. Very often, a flex hose such as this is created with removable fittings at the ends to create the 1/2" MIP thread. These removable fittings themselves use a flare thread, and not a pipe thread.

4. NEVER USE SEALING COMPOUND OR TEFLON TAPE ON FLARED FITTINGS.
5. Reapply soap solution on all fittings and repeat as necessary until all leaks have been sealed.
6. If a leak appears at an LP cylinder valve, DO NOT ATTEMPT to repair it. Shut off the gas immediately. The only way to safely resolve a damaged cylinder is to replace it.



# ELECTRICAL CONNECTIONS

## MAKING THE ELECTRICAL CONNECTIONS

If the AC adaptor is NOT being used, and it is intended to run the heater from battery power only, then NO special electrical connections are needed. Note that this may require more frequent battery replacements. The AC/DC output plug, at the right end of the heater, is covered with the rubber plug that is mounted under the jack.

If the AC adaptor IS being used, the battery function becomes secondary and an approved, GFI protected, grounded, 110V AC, OUTDOOR outlet box and electrical receptacle must be installed within 24 in. of the AC/DC output plug. This outlet must be installed by a qualified electrician and must be sheltered from rain, snow, and ice.

Plug the transformer directly into the GFI protected outlet. Plug the jack, into the corresponding jack receptacle of the heater. Secure any loose or dangling wires with tape, wire ties, or insulated wire staples.

For an alternate to this connection, run an outdoor rated extension cord from the closest GFI protected 110 V grounded outlet to the heater. This cord and connection must be sheltered from the rain and must not be in direct line with either the heat output of the heater OR the exhaust gasses exiting the top of the heater. It is recommended that this cord be secured to the wall ( or similar structure) with either tape, wire ties or insulated wire staples. This installation is considered a TEMPORARY installation.

## WIRELESS WALL SWITCH

Select a location for this switch, but do not mount it at this time. Select a location that is out of reach of children, and is just LOW enough to be reached by an adult. It is recommended that the wall switch be mounted near the heater (within 10 ft) so the heater can both be SEEN and HEARD during operation of the wall switch. This wall switch mounts on a flat surface with the mounting screws provided. Double sided tape (not provided) will also work for this step.



## BATTERY INSTALLATION

**Wireless Wall Switch**-This unit uses (2) pre-installed 3V Lithium Batteries CR2032. If batteries were not previously installed, remove the cover by inserting a small screw driver into one of the slots on the side. Twist the screw driver slightly to snap open the cover from the body. (do not attempt to remove the small screws at the bottom). Insert the provided lithium batteries (Positive (+) side up), making sure the edge of the battery is inserted UNDER the small battery retaining clip. If the wall switch will be mounted with the provided screws, then mount into position (while the cover is still off) at this time. After mounted, snap the cover back onto the wall switch body. See pictures below.

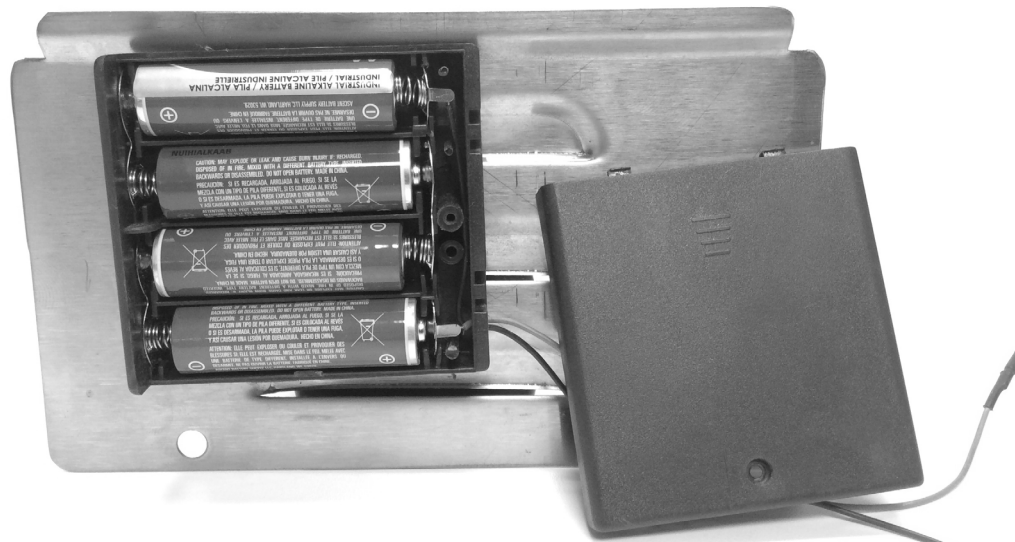
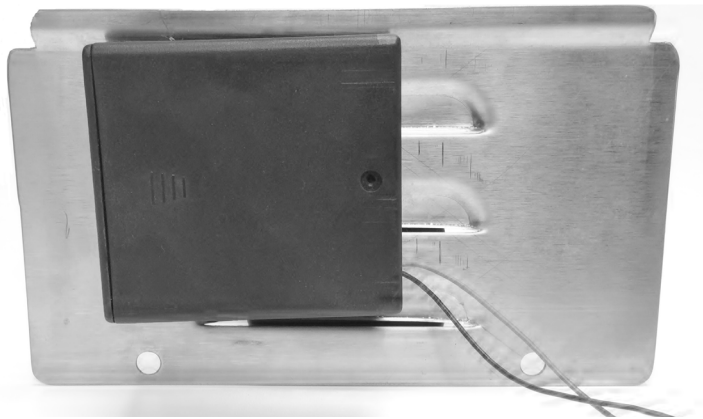
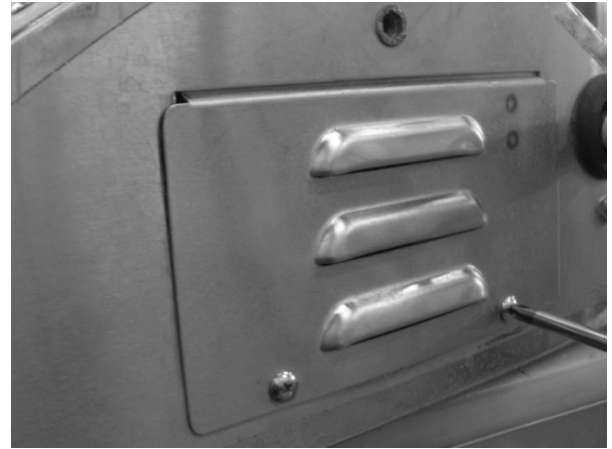


## ELECTRICAL CONNECTIONS...continued

**Touch Screen Remote Transmitter**-remove the cover on the back of the remote control unit and install (4) AAA 1.5 V batteries. Take special note of the (+) and (-) terminals.

**Heater**- remove the (2) screws holding the louvered end plate at the far, right end of the heater. This is the SMALLER of the 2 access plates. The battery pack will be mounted directly inside, on the endplate. Using a small Philips head screwdriver remove the screw and slide off the battery box cover. Replace or insert (4) AA 1.5 V batteries with attention of the (+) and (-) terminals. Reinstall the battery box cover

and secure it in place with the Philips head screw. Leave the louvered end plate off and let it hang straight down for the next programming operation. See pictures below.



# PROGRAMMING YOUR REMOTE

## INITIALIZING THE REMOTE CONTROL SYSTEM

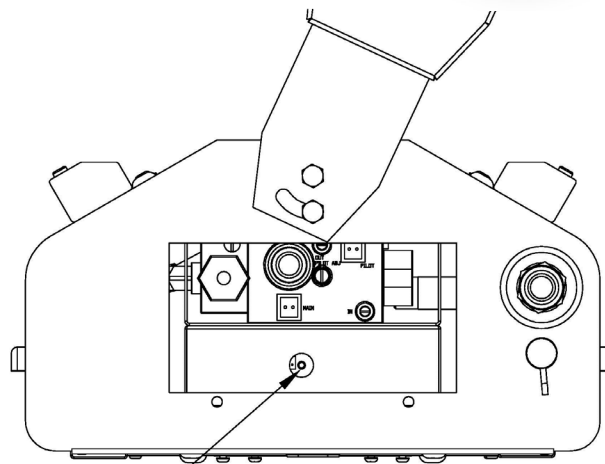
On the wireless wall switch press the "OFF" button. Confirm that the red LED flashes. The LED will flash every time that any of the 4 buttons are pushed. This confirms that the unit is functioning, and that the button selection has been confirmed.

Press the 'ON' button on the wall switch to confirm. You will hear 'clicking' coming from the heater. Press the 'OFF' button immediately and proceed to the next section 'BASIC OPERATION OF YOUR HEATER' page 20. The receiver is located inside the valve compartment and is accessible through the louvered plate on the right END CAP of the heater. If this plate is still off from the battery installation, then proceed to the next paragraph. Otherwise, remove the 2 screws holding the end plate in position, and rotate the plate, from the bottom, until the plate is free from the heater. Allow the plate to hang below the heater (it is connected to the battery wires).

Look inside the compartment and locate the black vinyl cover cap on the side of the module enclosure. Peel the cap off with your finger nail or screw driver. Look inside the box and notice the small button on the side of the receiver. This is the LEARN button. See the illustration below. With the wall switch in one hand, and a paper clip or the tip of a writing pen in the other hand, press and release the 'LEARN' button of the receiver. You will hear one beep. Now press the 'ON' button on the wall switch. Once the code is accepted, you will hear four beeps in rapid succession. You should now hear the pilot sparking rapidly. This indicates that your programming was successful. If the

pilot did not begin to spark, then repeat the above process. After programming, press the 'OFF' button to turn the system off.

NOTE: The wireless wall switch can now be mounted (if not previously mounted), on a flat surface, at your desired location. Use the screws provided with the switch or double sided tape for mounting (not provided).



← REMOTE 'LEARN' BUTTON LOCATED UNDER VINYL CAP

## PROGRAMMING YOUR REMOTE...continued

Once the wireless wall switch has been successfully programmed, repeat the process with the touch screen remote control. Once again, press the LEARN button on the receiver. Release the LEARN button. You will now hear a single beep. **NOTE: If programming more than one unit, press and release the LEARN button on all units before turning the remote ON.** Now push the lower center MODE SET button on the transmitter until the word 'ON' is displayed in the upper left hand corner. Once the code is accepted, you will hear four beeps in rapid succession. You should also hear the pilot sparking rapidly. This confirms that the signal has been received, and your programming was successful. Press the mode button until 'OFF' is displayed at the top right side of the screen. Re-confirm proper functioning by turning the transmitter back to 'ON' and listening for rapid sparking of the pilot. Once confirmed, press the mode set button until 'OFF' appears, to shut the system off.

Replace the plastic cap over the LEARN BUTTON access hole. Replace the louvered end plate over the open end of the heater and tighten the two screws. Take care not to pinch wires when re-attaching the end plate.

Refer to the section 'TOUCH SCREEN REMOTE CONTROL OPERATION' Page 21, to learn more about the remote operations that are possible with your Lynx Heater.

### BASIC OPERATION OF YOUR HEATER

Your new Lynx Eave Mount Patio Heater has been designed with cutting edge technology and easily operates with either the manual ON-OFF-HI-LOW wall switch or with the use of a touch screen remote control. Please study the section of this manual entitled 'Remote Control Operation' to allow a full understanding of the heater's capabilities.

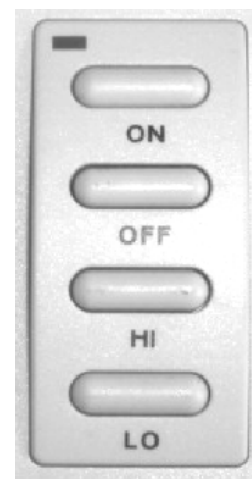


#### IMPORTANT NOTE

When the heater is being lit for the first time after installation, or after hooking up a gas line for the first time, the gas lines will need to purge themselves of the air to fill with gas. Depending on the length of gas lines, this may take a few minutes or more. The spark ignition system is designed to spark for 1 minute, and then time out. This is part of the ignition safety system.

### MANUAL OPERATION

1. **TURN THE GAS ON.** If this is a Natural Gas (NG) installation, turn the manual shut-off valve lever  $\frac{1}{4}$  turn so that the lever is parallel and in-line with the gas line. If this is a Liquid Propane (LP) installation, open the gas cylinder valve by a minimum of one full turn, and if connected to a quick disconnect hose, turn the in-line valve lever by  $\frac{1}{4}$  turn so that the lever is parallel and in-line with the gas line.
2. At the wall switch, push the 'ON' button, and listen for the pilot to spark rapidly. After the pilot sparks, you will hear the small pilot flame ignite. Shortly after that, you will hear the main burner of the heater ignite. When using the wall switch, the heater will light on 'HIGH' regardless of the previous setting when it was turned off. Allow the heater to warm up for a few seconds, and then press the 'LO' button to adjust the heat downward. Each press of the button will lower or raise the heat level by one increment. If you hold the 'HI' button continuously, the heat level will advance more rapidly. Likewise, when you press the 'LO' button, the heat will become lower by one increment, and by pressing the 'LO' button continuously, the heat level will decrease more rapidly. Push the "OFF" button when finished using the heater.



If this occurs, simply turn the wall switch to OFF, and then turn back to ON. The spark will return to its normal function. Repeat this operation until the pilot lights. Once the pilot lights, the heater will light within seconds.

---

## PROGRAMMING YOUR REMOTE...*continued*

---

When the heater is operated for the first time, there may be a certain level of smoke exiting the heater exhaust vents. This may last for up to 15 minutes. This is NORMAL. This is a result of the manufacturing oils, cleaning oils, and anti-seize lubricants, burning away under high temperature for the first time. After this 'break-in' period, your heater should function normally, emitting no additional smoke.

---

### TOUCH SCREEN REMOTE CONTROL OPERATION

---

Before attempting to operate your remote, you must be sure that the remote control has been 'initialized' or paired with the receiver. Please see the section of this manual titled 'Initializing the Remote Control System' Page 19.

---

### CHANGING FROM FAHRENHEIT TO CELSIUS

---

When the remote control is OFF, the current air temperature is displayed in the upper right hand corner of the display window. This temperature will read in degrees Fahrenheit (F) or degrees Celsius (C). To alternate and change between degrees (F) and degrees (C), with the remote in the OFF position, simply press the DOWN arrow key and the UP arrow key at the same time briefly. Use a short click and do not hold the buttons down continuously. Please refer to the diagram 'Touch Screen Remote Control Layout' Page 22, for reference

---

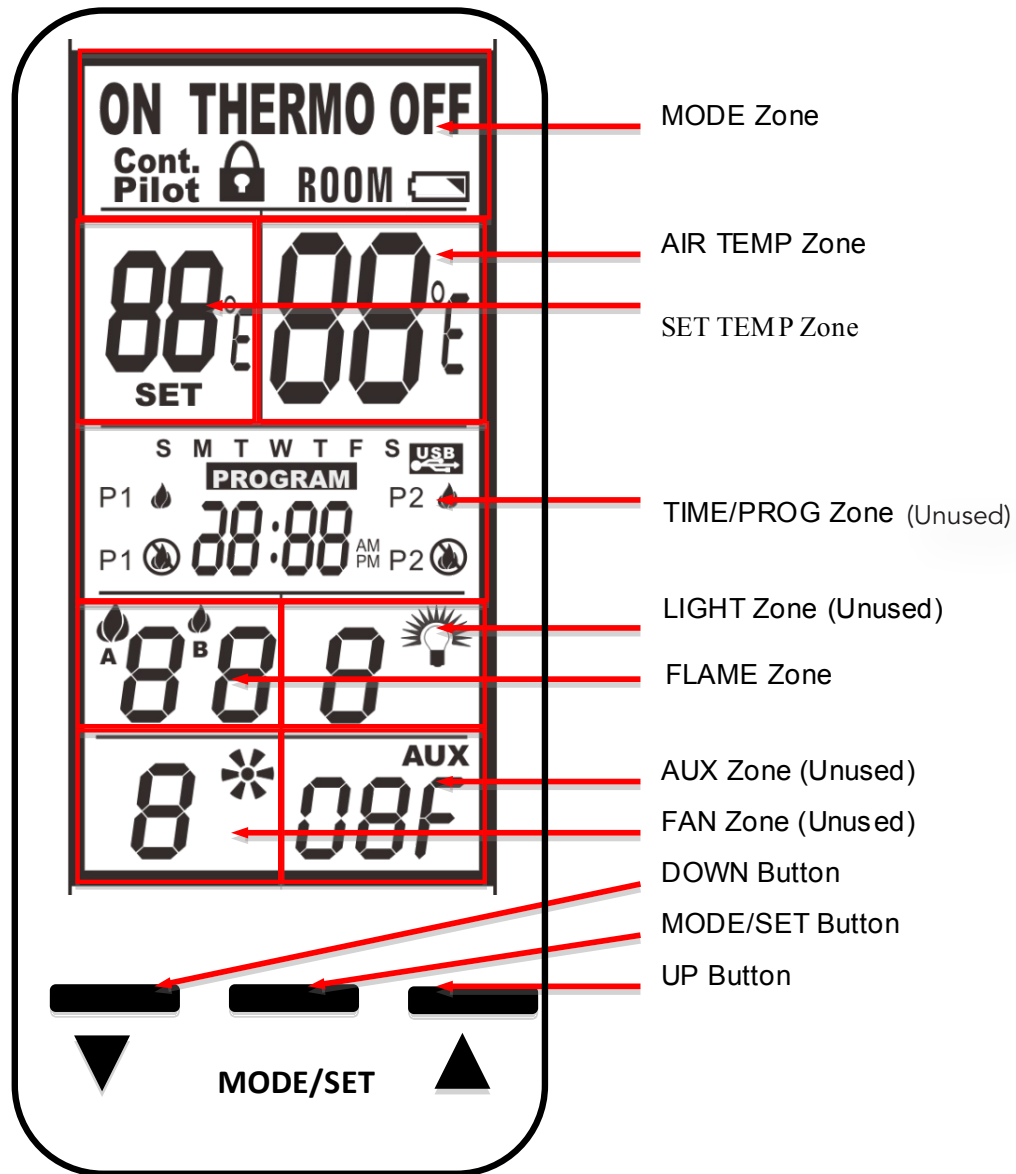
### DAY AND TIME DISPLAY

---

- The current day of week and time of day will be continuously displayed in the TIME/PROG Zone (except during Setup operations).
- The day of week will be displayed as one of the following: S, M, T, W, T, F, S
- The time of day will be in 12-hour AM, 12-hour PM format. Midnight will be displayed as 12:00am.
- Day/Time Setup-Turn Operation Mode to OFF By pressing the MODE/ SET button at bottom:
- Press and hold the MODE Zone or the MODE/SET Button for 5 seconds to enter Day/Time Setup.

- Press the UP or DOWN Buttons to adjust the day of week (press the MODE/SET Button or wait for 15 seconds for adjustment to be accepted, then enter hour of day adjustment).
- Press the UP or DOWN Buttons to adjust the hour of the day. The time will advance in 1-hour increments; AM and PM will change when the hour advances to 12:00 midnight and 12:00 noon respectively (press the MODE/SET Button or wait for 15 seconds for adjustment to be accepted, then enter minute of hour adjustment).
- Press the UP or DOWN Buttons to adjust the minute of the hour. The time will advance in 1-minute increments (press the MODE/SET Button or wait for 15 seconds and the transmitter will exit Day/Time Setup and return to normal operation).
- LCD Displays – when in Day/Time Setup:
- MODE Zone: Blank
- ROOM/AIR TEMP Zone: Blank
- SET TEMP Zone: Bank
- LIGHT Zone: Blank
- FAN Zone: Blank
- TIME/PROG Zone: Day of Week, or Time of Day will Flash
- AUX Zone: Blank
- FLAME Zone: Blank

# TOUCH SCREEN REMOTE CONTROL



## HEATER MODES OF OPERATION

Operation modes:

- MANUAL ON
- MANUAL OFF
- THERMOSTAT ON

To cycle between modes in the order above, press the MODE Zone Touch Screen or the MODE/SET Button. Each touch will advance to the next mode: ON---OFF---THERMO ON

# TOUCH SCREEN REMOTE CONTROL...continued

## MANUAL OFF MODE

- Transmits heater OFF command.
- LCD Displays:
  - MODE Zone: OFF is displayed
  - ROOM /AIR TEMP Zone: Measured temperature is displayed
  - SET TEMP Zone: Blank
  - TIME/PROG Zone: Current day indicator and current time is displayed
  - FLAME Zone: Blank

## MANUAL ON MODE

- Transmits Heater ON command
- LCD Displays:
  - MODE Zone: ON is displayed
  - ROOM/AIR TEMP Zone: Measured temperature is displayed
  - SET TEMP Zone: Blank
  - TIME/PROG Zone: Current day indicator and current time is displayed
  - FLAME Zone: the FLAME-'A' Icon is displayed

## ADJUSTING THE HEAT LEVEL

During the MANUAL ON mode the heat level can be adjusted up to 6 levels of heating increments when using Natural Gas, and 3 levels for LP applications. To adjust heat level, select "ON" mode, and allow the heater to cycle on. Press and hold flame level 'A' on the touch screen (the larger flame icon) until the flame flashes. The current heat level will be displayed #1 through #7. Press the UP arrow button at the bottom to raise the heat level. Likewise, press the DOWN arrow to LOWER the heat level. The heater will immediately respond as the heat level is adjusted on the remote control. NOTE: be sure that the LARGER flame icon (labeled 'A') is selected when adjusting the heat level. The smaller flame icon 'B' is not used for this adjustment. Also NOTE: when using the touch screen remote, the last heat setting used as the heater was turned off will be remembered by the remote. As the heater is turned back on, it will resume heating at the previous level. If the wall switch is used to turn ON the heater, it will always light on HIGH.

## THERMOSTAT MODE

- Thermostat Mode will cycle heater on and off based on air set temperature seen directly at the remote control. The remote control will transmit the ON command when SET TEMP is set 2 degrees higher than AIR/ROOM TEMP, and will transmit OFF command when SET TEMP becomes 2 degrees lower than ROOM TEMP. These +/- 2 degrees are known as 'swing temperature', and can be adjusted. (See SWING temperature below).
- Built-in thermostat will measure air temperature.
- SET TEMP: While in THERMOSTAT mode, press the UP or DOWN Button to change the SET TEMP (45-99 deg. F, 7-37 deg. C); the new set temperature will automatically be accepted after 2 seconds. NOTE: THERMO OFF will be read in the upper MODE set window until the set temperature is set to a level (2 degrees) higher than air temperature (this is called SWING TEMPERATURE). Then, this will change to THERMO ON.
- SWING Temperature:
  - Factory default is 2 degrees F (1 deg. C).
  - To change this 2 degree default, press and hold the SET TEMP Zone for 5 seconds to enter SWING Adjustment, and press the UP and DOWN Buttons to adjust the SWING temperature from 3 degrees F (2 degrees C) or to 1 deg. F (still 1 deg. C) (press the MODE/SET Button or wait for 15 seconds for the new setting to be accepted).
- LCD Display - When in SWING Adjustment:
  - MODE Zone: Blank
  - ROOM/AIR TEMP Zone: Blank
  - SET TEMP Zone: S1, S2, or S3 (number equals swing temperature) in place of SET temperature
  - TIME/PROG Zone: Blank
  - FLAME Zone: Blank
- THERMOSTAT OFF LCD Displays:
  - MODE Zone: THERMO and OFF is displayed
  - ROOM /AIR TEMP Zone: Measured temperature is displayed
  - SET TEMP Zone: SET TEMP is displayed
  - Time of day is displayed

## TOUCH SCREEN REMOTE CONTROL...continued

### AIR TEMPERATURE LIMIT FUNCTION

When using the heater with the remote control transmitter, always keep the remote transmitter by your side, i.e., at the same place that you are sitting. This will assure that the temperature and thermostat function will always be reading the same temperature that you are experiencing. Do not leave the remote transmitter outside or exposed to the elements when not in use. Do not leave the transmitter facing the sun, or in a place that allows the transmitter to measure the temperature of the sun. This could falsely raise the 'air' temperature that the transmitter is reading. Once the 'room'/air temperature reaches 95F degrees, the system will automatically shut the heater off. When the heater is turned on in either the MANUAL ON or THERMOSTAT ON mode, once the air temperature becomes 95 degrees, the heater will cycle automatically to the MANUAL OFF mode. If the user turns the control back ON, and the air temperature is still 95F degrees or greater, the transmitter will switch back to MANUAL OFF.

### THERMOSTAT DISABLE FEATURE

If, after using your heater, you decide that you do not want to use the THERMOSTAT function, you can disable this function on the remote transmitter. When the THERMOSTAT mode is disabled:

- The Modes of operation will cycle between MANUAL ON and MANUAL OFF (omitting THERMO).
- Program Operation (described below) is also disabled.
- The SET TEMP zone will be blank.
- The air temperature will still be measured & displayed in the ROOM/AIR TEMP Zone.
- The TIME/PROG zone will continue to display the Clock and Day of week, but none of the icons associated with Program Mode will be displayed.
- To disable or re-enable the Thermostat, the transmitter must be in MANUAL OFF Mode, then press and hold the SET TEMP Zone and the DOWN Button simultaneously for 10-seconds. The entire contents of the LCD screen will flash 3-times (0.5-seconds OFF, 0.5-seconds ON) to indicate the change has been made.





---

# FEATURES

---

---

## CONTINUOUS PILOT FEATURE:

---

In some cases such as locations where severely cold weather or fog persists, it may be an advantage for you to set your heater so the small pilot flame stays continuously ON. This keeps the pilot area warm and allows immediate start-up of your heater.

- To activate or deactivate the Continuous Pilot Feature, with the transmitter either ON or OFF, press and hold the MODE/SET and UP Buttons simultaneously for 5 seconds. This can also be switched on the internal module.
- LCD Display: When activated, CONT. PILOT will be displayed in the MODE Zone.
- Take note that when heater is turned off (MANUAL OFF or THERMOSTAT OFF) the pilot flame remains on.

---

## CHILD SAFETY LOCK FEATURE:

---

The Child Safety Lock Feature allows you to lock the buttons and the touch screen of the remote control transmitter to avoid unsupervised (or accidental) operation of your heater system.

- Child-Lock operation prevents any user input to the transmitter. No mode of operation or feature may be adjusted when Child-Lock is activated. All automatic functions (thermostat, program, etc.) will continue normally.
- To activate or deactivate the Child-Lock feature, press and hold the MODE/SET and DOWN Buttons simultaneously for 5 seconds. The system is now locked.
- LCD Display:  
When activated, the LOCK icon will appear in the MODE Zone. If any touch-zone or button is pressed when activated, the LCD backlight will illuminate and the LOCK icon will flash for 5 seconds in the MODE Zone.

---

## COMMUNICATION SAFETY FEATURE:

---

- In manual ON, THERMOSTAT ON, AND PROGRAM modes of operation, the transmitter will automatically send a communication safety transmission every 15 minutes. This signal is further processed by the ignition control module to verify the transmitter is communicating properly.

---

## LOW BATTERY INDICATOR:

---

- The remote control transmitter has a built-in 'low-battery' detection mode to signal you when the transmitter becomes low on battery power. When the batteries become low, a battery icon will appear in the touch screen window immediately to the right of the word 'ROOM' on the air temperature window.

The life span of the transmitter batteries will vary depending of the quality of the batteries, the number of ON/OFF ignitions of the heater, and the number of changes in air temperature vs. set point temperature.

# MAINTENANCE

## REPLACING BATTERIES IN THE REMOTE CONTROL TRANSMITTER

Remove the back cover on the remote control transmitter and lift out the 4 AAA batteries. Replace with 4 high quality 1.5V AAA batteries. Take special note to the polarity of the battery placement by observing the (+) and (-) markings in the compartment.

## REPLACING BATTERIES IN THE HEATER:

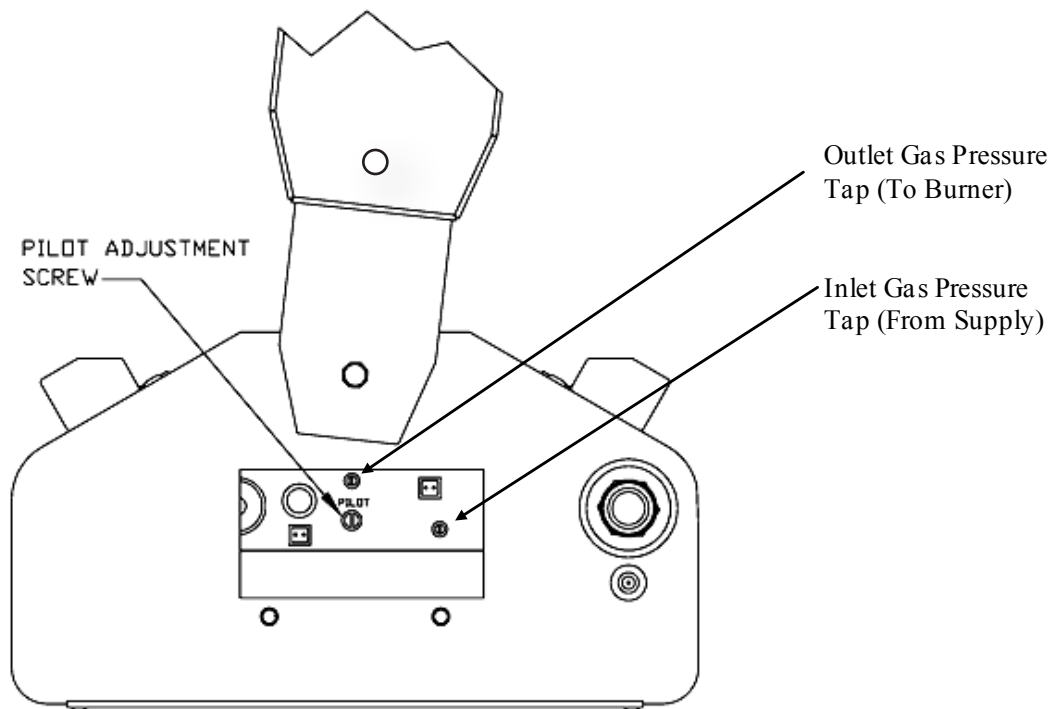
Remove the (2) screws holding the louvered end plate at the far right end of the heater. This is the SMALLER of the 2 access plates. The battery pack is mounted directly inside on the endplate. remove the (2) screws holding the louvered end plate at the end of the heater. The battery pack is mounted directly inside on the end plate. Using a small Philips head screwdriver remove the screw and slide off the battery box cover. Replace or insert (4) AA 1.5 V batteries with attention of the (+) and (-) terminals. Reinstall the battery box cover and secure it in place with the Philips head screw. Reinstall the louvered end plate with the 2 screws and use caution not to pinch the battery wires. See page 18 for complete description and illustrations.

## PILOT FLAME ADJUSTMENT :

The pilot flame in your heater has been factory preset for normal, environmental conditions. However, there may be a specific need to adjust the pilot flame to a higher level such as windy conditions. The pilot flame can be adjusted by following these steps:

Remove the (2) screws which hold the small louvered end plate in position as above to change the batteries.

In the illustration you will see the side of the valve which contains 3 brass screws. There are 2 smaller screws, and one larger screw toward the center. The larger screw is the pilot adjustment screw. It is marked "PILOT". Turn the screw CLOCKWISE (to the right) to DECREASE the pilot flame, turn the screw COUNTERCLOCKWISE (to the left) to INCREASE the pilot flame. Assure that the valve wires are still in place, and replace cover plate after pilot has been adjusted.



---

## POTENTIAL PROBLEMS

---

### **PILOT IGNITER DOES NOT SPARK**

Press the 'ON' button on the wireless wall switch. Verify the LED flashes RED when the button is pushed. If you hear a spark coming from the pilot, the problem may be the touch screen remote control. Replace the batteries. If the pilot still does not spark, replace the batteries in the heater. See section 'Replacing the Batteries'.

If an AC power adaptor is being used, then check the cord connection to the heater.

### **PILOT IGNITER SPARKS, BUT THE PILOT BURNER DOES NOT IGNITE.**

New installations may take time for the system to 'purge' the air in the gas line. If the igniter sparks for 1 minute without ignition the system will enter a 'safety lockout' mode. Press the 'OFF' button and then press the 'ON' button on the wireless wall switch. The system will then reset. Try 3 additional times and attempt to light heater. If still no results, Check that the ON-OFF valve in gas line is turned on. If still no results, then the gas line must be 'purged'. With the gas on, loosen one connection near the heater until you either 'hear' gas or 'smell gas'. Tighten connection immediately. This should purge the remaining air from the lines. If the burner will still not light check the orifice for insects or blockage.

### **PILOT IGNITER SPARKS, BUT THE PILOT BURNER DOES NOT IGNITE. REMOTE CONTROL FUNCTION.**

The remote control system functions, such that, if when using the 'thermostat' on the remote, the air/room temperature (shown in the upper right hand side of the remote display) works in conjunction with the thermostat 'SET' temperature (shown in the upper left hand side of the display) to modulate the function of the heater. If the thermostat 'SET' temperature is set LOWER than the current air temperature, the heater will not come on or light. Press the "UP" arrow to bring the thermostat temperature HIGHER than the air temperature. See 'Touch Screen Remote Control Operation'. If the burner will still not light check the orifice and venturi for insects or blockage.

### **HEATER WILL LIGHT, BUT PILOT AND BURNER CYCLE ON AND OFF. REMOTE CONTROL FUNCTION**

If using the 'thermostat' on the remote, the 'SET' temperature is set too close to the air/ room temperature. The heater is functioning to maintain the exact temperature set. Try setting the 'SET' temperature higher (more than 2 degrees ) than the air/room temperature. You can also use the 'MANUAL ON' mode on the remote control and manually set the heat level higher (levels 1-7) See 'Touch Screen Remote Control Operation'.

### **HEATER WILL LIGHT, BUT PILOT AND BURNER CYCLE ON AND OFF DURING MANUAL OPERATION.**

The outside conditions are too windy for proper heater functioning. Check installation and verify that heater is basically located away from direct wind source. This heater has been tested to accommodate wind gusts of up to 15-20 MPH. During high wind conditions, turn heater off. If needed, adjust pilot flame to a higher level. See section marked 'Pilot Flame Adjustment' (pg. 29).

### **REMOTE CONTROL SHOWS AIR TEMPERATURE READ-OUT, BUT WILL NOT TURN ON.**

Remote control batteries are low. Check for the 'Low Battery' icon in the readout of the remote control. Replace batteries in remote using 4 ea. AAA. See section 'Touch Screen Remote Control Operaton' and 'Replacing Batteries'.

### **REMOTE CONTROL SHOWS FULL DISPLAY, BUT WILL NOT ACTIVATE THE PILOT IGNITION.**

First, check to see if the 'Low Battery' icon is in the readout of the remote control. If yes, then replace the batteries with 4 ea. AAA. See section 'Remote Control Operation'. If this icon is not lit, press the 'ON' button of the remote. Listen for a faint 'beep' coming from heater. If this faint 'beep' is heard, then the electronic system is operating properly. If this 'beep' is not heard, then the batteries in the heater are low. Replace these batteries with 4 AAA and follow instructions in section marked 'Replacing Batteries in the Heater'. If there is still no 'beep' heard, then the remote/transmitter and receiver communication have not been 'initialized'. See section titled 'Initializing the Remote Control System' (pg. 20).

## POTENTIAL PROBLEMS ...continued

### AFTER HEAVY RAIN OR FOG HEATER FAILS TO LIGHT: REMOTE CONTROL AND RECEIVER APPEAR TO BE OPERATING NORMALLY. PILOT IS SPARKING.

This heater has been tested to withstand a significant amount of rain. However, if the heater has reached a point of 'saturation', then either the pilot burner, the main burner, or both, have become wet. If the pilot igniter sparks, but the pilot will not light, or the spark is weak, then the pilot is wet. The pilot can be manually lit with a long match or lighter. First remove the pilot cover by removing the 4 small cover screws. Slightly loosen the inside screw which holds the pivot cover. Rotate cover to expose lighting hole. Turn the remote to 'ON'. Apply a flame directly over the pilot head. If the pilot does not light after 15 seconds, then turn power off for 5 minutes and then try again. Once the pilot flame is lit, the main burner should light shortly after. Once the burner lights, if it is also wet, then it will burn unevenly until it burns itself dry. This is normal. If the pilot lights, but the burner will not light, then the burner simply needs some time to dry naturally. If this is the case, then the installation and placement of the heater should be reconsidered. If this is an ongoing problems due to location, placing the unit in a continuous Pilot mode is recommended.

### AFTER HEAVY RAIN OR FOG HEATER FAILS TO LIGHT: REMOTE CONTROL AND RECEIVER APPEAR TO BE OPERATING NORMALLY. PILOT IS NOT SPARKING. TOUCH SCREEN REMOTE CONTROL RECOVERY METHOD.

This heater has been tested to withstand a significant amount of rain. However, if the heater has reached a point of 'saturation', then either the pilot burner, the main burner, or both, have become wet. The heater can be manually lit by following the instructions in the previous block. There is also a remote control function that may also expedite the recovery process. This function overrides the flame sensor in the pilot mechanism and allows the pilot to spark. No gas, will be released, so only sparking will occur. This sparking function will help to 'dry out' the pilot. To activate this override function, place the touch screen remote control in MANUAL OFF mode. Press and hold the FLAME ZONE on the touch screen and the UP button simultaneously. The pilot will begin and continue sparking until the buttons are released. The remote will return to MANUAL OFF. Turn the remote to MANUAL ON and see if the pilot will spark on its own. If not, repeat process until the pilot functions normally.

With almost 1/3<sup>rd</sup> of the American population living at high altitudes, you may have special needs and considerations for their gas fired appliances. The air up there is thinner having less O<sub>2</sub> and lower atmospheric pressure, so heating and cooking are going to present specific challenges. To compensate for variables, such as thinner air and lower atmospheric pressure, appliances must be adjusted to operate at high altitudes. Generally speaking input ratings used for elevations up to 2,000 ft (600m) must be reduced at a rate of 4% for each 1,000 ft (300m) above sea level\*

		Altitude					
		0'-4000'		4000'-8000'		8000'-10000'	
NG	LP	NG	LP	NG	LP	NG	LP
↓	↓	↓	↓	↓	↓	↓	↓
36	50	41	52	42			53
33505	13016	13013	13018	13014			13019

In order to keep Lynx LHEM heaters operating under peak performance conditions high altitude orifices can be ordered from the factory and be converted in the field using the proper orifice conversions. For more information please contact our customer service department at 888-289-5969 Mon-Fri., 6am-4:30pm PST.

**National Fuel gas Code NFPA 54/ANSI-Z223.1 Section 11.1.1.3**

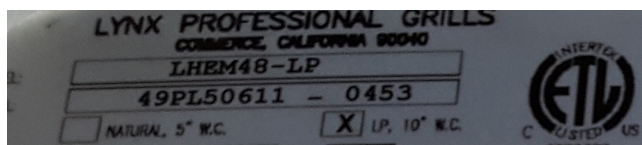


## CONTACTING LYNX

Before calling Lynx Customer Care, please make sure you have the following information:

- Model number
- Date of purchase
- Proof of purchase by the original owner
- Serial number

The serial number can be located on the rating plate which is located on the top of the heater's outer casing.



For warranty service, contact the Lynx Customer Care Department for an authorized service agent near you at:

**(888) 289-5969**

[www.lynxgrills.com](http://www.lynxgrills.com)

Your satisfaction is of the utmost importance to us. If a problem cannot be resolved to your satisfaction, please write, fax or email us:

Lynx Grills, Inc.

62201 Hwy 82 West

Greenwood, MS 38930

Service: (888) 289-5969

[www.lynxgrills.com](http://www.lynxgrills.com)

Contact Lynx for replacement parts.

## THE LYNX STORY

Lynx began with a vision.

A small group of manufacturing engineers with over a century of collective experience had a dream. They dared to take their extensive commercial manufacturing know-how and create a line of outdoor cooking products that offer commercial elegance and performance to the consumer market.



Lynx has taken the quality, workmanship, service and innovation of the commercial market and incorporated it into the Lynx Professional Grills line of consumer and commercial products. The combination of creative design, superior materials and exceptional craftsmanship elevates Lynx products to a class of their own.

Lynx original commercial products are used every day in restaurants, hotels and theme parks across the USA:

### LYNX SATISFIED CUSTOMERS

- TGI Fridays
- Applebee's
- Houston's
- Red Lobster
- Hard Rock Café
- Wolfgang Puck's
- Cheesecake Factory
- Red Robin
- Planet Hollywood
- Hilton
- Hyatt
- Four Seasons Marriott Le Meridian
- Sheraton
- Conrad International
- Bellagio
- New York New York
- MGM Grand
- Treasure Island
- Mirage
- Paris
- Venetian
- Excalibur
- Mandalay Bay
- Riviera
- Desert Inn
- Hard Rock Hotel
- Disney World

# LYNX LIMITED WARRANTY\*

## I. Limited Five-Year Residential Warranty

The stainless steel body housing is warranted to be free from defects in material and workmanship when subjected to normal domestic use and service for Five years from date of purchase. This warranty excludes surface corrosion, scratches, and discoloration which may occur during regular use. This warranty is limited to the replacement of the defective parts, with the owner paying all other costs including labor and shipping.

## II. Limited One-Year Residential Warranty

All other heater components are warranted to be free from defects in material and workmanship for a period of one year from the original date of purchase. Lynx will replace or repair parts found to be defective at no cost to the original purchaser.

## III. Limited (90) Day Commercial Warranty

This warranty applies to commercial applications such as apartment buildings, restaurants, golf clubs and food service locations. Lynx will replace or repair parts found to be defective at no cost to the original purchaser within 90 days of the original date of purchase.

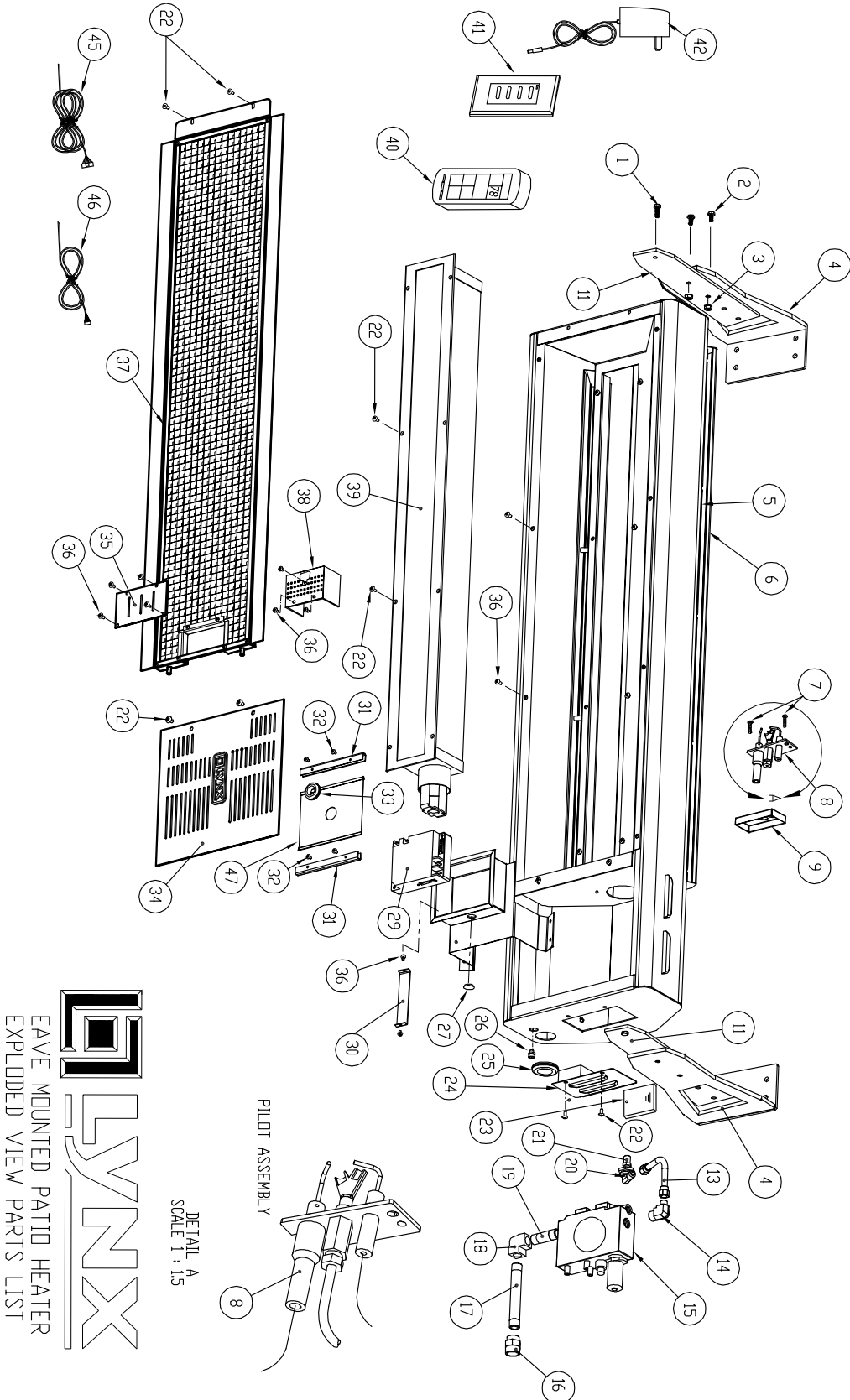
## IV. Limitations & Exclusions

1. This Warranty shall apply to products purchased and located in the United States and Canada. Products must be purchased in the country where service is requested.
2. Warranty applies only to the original purchaser and may not be transferred.
3. Warranty is in lieu of all other warranties expressed or implied and all other obligations or liabilities related to the sale or use of its grill products.
4. Warranty shall not apply and Lynx is not responsible for damage resulting from misuse, abuse, alteration of or tampering with the appliance, accident, hostile environment, flare-up fires, improper installation, or installation not in accordance with the instructions contained in this manual, or the local codes.
5. Lynx shall not be liable for incidental, consequential, special or contingent damages resulting from its breach of this written warranty or any implied warranty.
6. Some states do not allow limitations on how long an implied warranty lasts, or the exclusions of or limitations on consequential damages. This warranty gives you specific legal rights and you may have other rights which vary from state to state.
7. No one has the authority to add to or vary Lynx's warranty, or to create for Lynx any other obligation or liability in connection with the sale or use of its products.
8. Limited to the replacement of defective parts with the owner paying all other costs including labor.

## V. What is not covered: Lynx shall not be responsible for and shall not pay for the following

1. Installation or start-up, damages or problems caused by improper installation or use;
2. Service by an unauthorized service provider;
3. Damage or repair due to service by an unauthorized service provider or use of unauthorized parts;
4. To correct normal adjustments or settings, due to improper installation, commissioning or local gas supply properties.
5. Shipping and handling costs, export duties, installation, removal, or re-installation cost (RMA excluded).
6. Display models are sold "as is". If you have purchased a display model, please be advised that it is sold "as is" and that it is subject to the following warranty exclusions: any exterior or cosmetic damage is nonwarrantable; any missing components will be replaced at consumers expense; major handling damage to manifold, valve and ignition system will be serviced at consumer's expense; all other warranties will remain in effect.
7. The cost of a service call to diagnose complaint.
8. Modification to Lynx product will void related warranties.

# LYNX EAVE MOUNTED EXPLODED DIAGRAM



**LYNX**  
 EAVE MOUNTED PATIO HEATER  
 EXPLODED VIEW PARTS LIST

DETAIL A  
 SCALE 1:15

PILLOT ASSEMBLY

# LYNX EAVE MOUNTED HEATER PARTS LIST

Item No.	Part Number	Description	Qty.
1	14029	Screw, 1/4-20 x 1, HHD, SS	4
2	14030	Screw, 1/4-20 x 1/2, HHD, SS	4
3	31876	Nut, 1/4-20, LKN, ST, W/ESL	4
4	35429	Bracket, Eave Mounting	2
	30147	Washer, 3/8, FLT, SS, 7/8 O.D.	8
	33511	Screw, 5/16 x 1-1/2, HHD, SS, LAG	8
5	33523	Heat Baffle Lower Shield	2
6	80676	Heat Baffle Assy	2
7	33507	Screw, #8-32 X 3/4, PHP, SS	2
8	33935	Pilot Orifice NG LHEM	1
	34032	Pilot Orifice, LP	1
8a	35113	Pilot LHEM	1
8b	35221	Pilot tube, LHEM	1
9	33441	Pilot Spacer Bracket	1
11	33417	Mounting Extension Bracket, EaveMount Patio Heater	2
13	32836	Flex Tube, s/s, 3/8" x 9"	1
14	33502	Fitting, Brass 90Elbow 3/8 NPT M/F	1
15	33933	Valve, Main	1
16	33504	Cplg, Brass Redr, 1/2 NPT x	1
17	33455	Nipple, Pipe, 3/8 NPT x 5"	1
18	33503	Fitting, Brass 90Elbow 3/8 NPT Fem	1
19	33337	Nipple, Pipe, 3/8 NPT x 2 1/2"	1
20	13009	Elbow, Orifice w/o Hood & Pin	1
21	33505	Orifice, #36 Short IR NG	1
	13016	Orifice, 50 LP	1
22	14014	Screw, #8-32 x 3/8, THP, SS	28
23	33930	Battery Holder	1
24	80670	Cover, Side Access	1
25	33984	Grommet, Rubber 1" ID x 1 3/8 OD	1
26	80677	Jack Power Wire Harness LHEM48	1
	33993	Sealing Cap, Jack Receptacle	1
27	33983	Hole Plug, Flexible Plastic	1
29	33934	Receiver Module	1
30	33476	Module Holding Strap	1
31	33477	Cover Holding Clip	2
32	33517	Screw, #8-32 x 3/16, PHP, SS	4
33	32532	Grommet, Rubber 5/8" ID x 1 1/8" OD	1
34	33309	Access Cover	1
35	33311	Igniter Cover	1
36	14018	Screw, #6-32 x 1/4, PHP, SS	15
37	80513	Diffuser Assembly	1
38	33522	Pilot Screen, Heater	1
39	33315	Burner, IR Eave Mount	1
40	33938	Transmitter, Touchscreen	1
41	33939	Wall Switch Transmitter	1
42	80722	AC Power Adapter w/Jack Plug	1
45	33941	Wiring Harness, Main	1
46	33995	Wire Harness, Stepper Motor	1
47	33475	Module Cover Plate	1



# INDEX

<b>B</b>	
Battery Install, Wall Switch.....	17
Battery, Touch Screen .....	18
Battery, Heater.....	18
Basic Operation.....	20
<b>C</b>	
Clearance to Construction.....	9
Carbon Monoxide Warning.....	5
Certification Information.....	3
Customer Care Contact.....	29
Code Requirements.....	7
Child Lock.....	25
<b>D</b>	
Day and Time Display.....	21
<b>E</b>	
Electrical Specs .....	11
Electrical Connections.....	18
Exploded Diagram .....	31
<b>F</b>	
Features.....	6
Fahrenheit to Celsius.....	21
<b>G</b>	
Gas Connection Information .....	10
Gas Connections, Making .....	15
Gas Leaks .....	16
Gas Pressure Taps.....	26
<b>I</b>	
Index.....	33
Initializing Remote .....	19
<b>L</b>	
Low Battery Indicator .....	25
<b>M</b>	
Mounting Considerations.....	7
Mounting the Heater.....	12
Making Gas Connections .....	15
Manual Operation .....	20
<b>O</b>	
Obtaining Service From LYNX.....	29
<b>P</b>	
Parts List .....	32
Programing Your Remote .....	19
Pilot Flame Adjustment .....	26
Pressure Taps.....	26
<b>S</b>	
Safety Information .....	3-5
<b>T</b>	
Touch Screen Remote .....	22
Temperature Conversion .....	21
Touch Screen Description.....	22
Thermostat Mode.....	23
Temperature Limit, Air.....	24
Trouble Shooting.....	27
<b>W</b>	
Wall Switch .....	17
Warranty .....	30







The best outdoor kitchen products come from:

Lynx Grills, Inc.

62201 Hwy 82 West

Greenwood, MS 38930

Service: (888)-289-5969

[www.lynxgrills.com](http://www.lynxgrills.com)