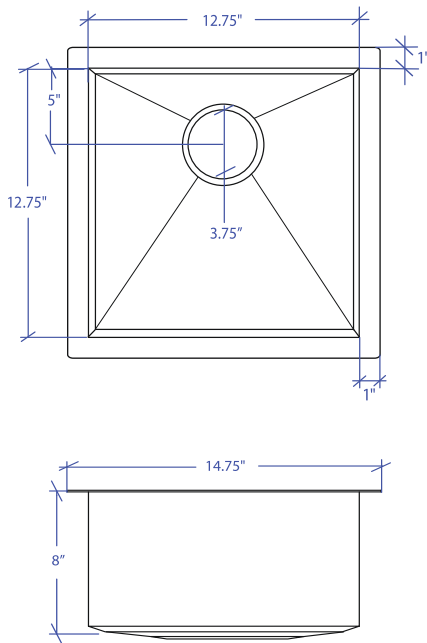


ORION MOEU-301SB



**Custom ADA compliant sinks are available*



• FEATURES

16-gauge type 304 stainless steel
Bevel basin design

• TECHNICAL INFORMATION

External dimension: 14.75"Lx14.75"Wx8"D
Basin dimensions: 12.75"Lx12.75"Wx8"D

• FINISHES

Satin Brushed stainless steel

• INSTALLATION OPTIONS

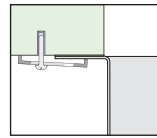
Top-mount
Under-mount

• MINIMUM CABINET SIZE (I.D.)

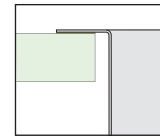
Top-mount 15.75"
Under-mount 17.75"

• US DESIGN PATENT D618,324 S

• DUAL-MOUNT INSTALLATION

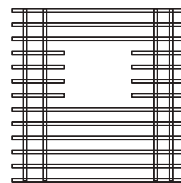


Under-mount

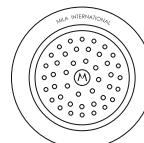


Top-mount

• ACCESSORY OPTIONS



MBG-032SB
Basin Grid



MKD-101SB
Strainer

PROJECT INFORMATION			
Project			
Date	/ /	QTY	
Specifier			
Contact			
Note			

ENTERTAINMENT DUAL-MOUNT