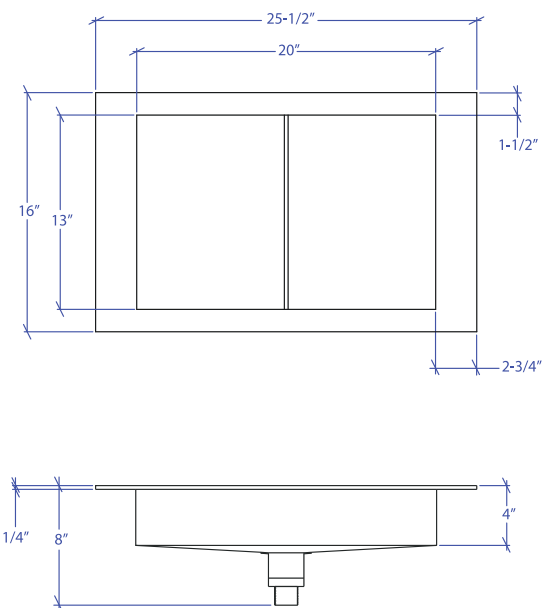


ATELIER MTB-302PSB 2 TONE FINISH



*ADA compliant



• FEATURES

16-gauge type 304 stainless steel
TRI-MOUNT™ installation system

• TECHNICAL INFORMATION

External dimension: 25.5"Lx16"Wx4"D
Basin dimensions: 20"Lx13"Wx4"D
Frame width: 2"/3"
Frame thickness: 1/4"

• FINISHES

Frame: Satin Brushed stainless steel
Basin: Polished Mirror Finish

• INSTALLATION OPTIONS

Flush-mount
Top-mount

• MINIMUM CABINET SIZE (I.D.)

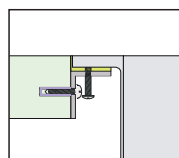
Flush-mount 28.5"
Top-mount 27.5"

• INDUSTRY'S ONLY STAINLESS STEEL SINK DESIGNED SPECIFICALLY TO BE FLUSH-MOUNTED

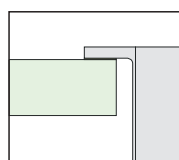
• U.S. PATENT NO. 9,988,799

• CANADIAN PATENT NO. 2579506

• INSTALLATION

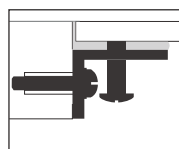


Flush-mount



Top-mount

• ACCESSORY



MTK-116AL
Mounting Kit

PROJECT INFORMATION			
Project			
Date	/ /	QTY	
Specifier			
Contact			
Note			

BATHROOM DUAL-MOUNT