

ESW 6880

30 inch warming drawer with 10 <sup>13/16</sup> inch front panel height with the low temperature cooking function - much more than a warming drawer.



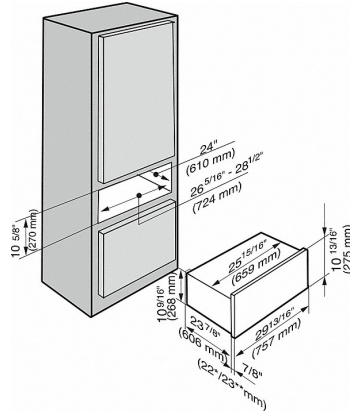
- Ultimate enjoyment with Low temperature cooking
- Versatile use thanks to four operating modes
- Convenient and easy – Touch control
- Elegant and practical - Soft-close self-closing mechanism
- Safe is safe - Timer function with automatic switch off

EAN: 4002515557815 / material number: 10034540

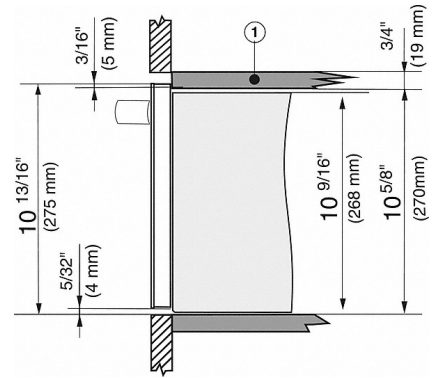
<b>Construction type</b>	
Gourmet drawer	•
<b>Design</b>	
PureLine	•
Color	Obsidian black
Control panel with sensor controls	•
Control panel with text	•
<b>Convenience features</b>	
Prewarming of dishware	•
Keeping food warm	•
Precise electronic temperature control from 104°F to 185°F	•
<b>Operating modes</b>	
Warm cups	•
Warm plates	•
Keeping food warm	•
Slow roast	•
<b>Control panel</b>	
Fully telescopic runners for easy loading and unloading	•
Self-closing with softclose feature	•
Stop programming/Timer function	•
Capacity	12 place settings
Sabbath program	•
<b>Cleaning convenience</b>	
Stainless steel front with Clean Touch Steel surface	•
Flush control panel	•
<b>Safety</b>	
Cool front	•
Safety cut-out	•
Non-slip liner	•
<b>Technical data</b>	
Appliance width in in.(mm)	29 7/8 (757)
Appliance height in in.(mm)	10 3/4 (271)
Appliance depth in in.(mm)	24 (608)
Oven cavity volume in cu. ft. (l)	2.12 (60.0)
Useable interior height in in.(mm)	8 1/8 (205)
Total connected load in kW	1
Voltage in V	120
Fuse rating in A	10
Number of phases	1
Frequency in Hz	60
Wire length in ft (m)	4 (1.5)
<b>Standard accessories</b>	
Non-slip liner	1
Rack for increased capacity	1

## ESW 6880

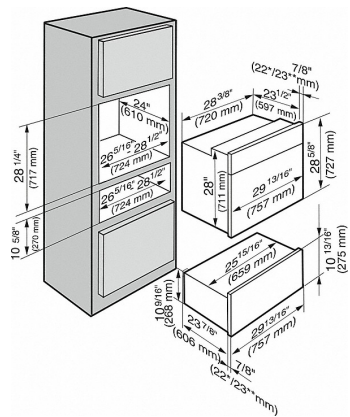
30 inch warming drawer with 10 <sup>13</sup>/<sub>16</sub> inch front panel height with the low temperature cooking function - much more than a warming drawer.



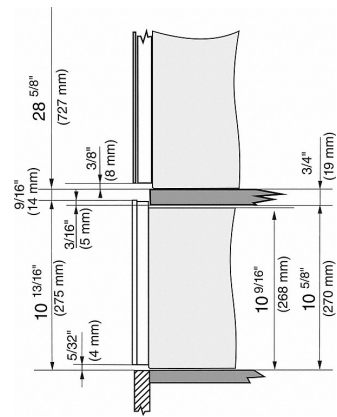
ESW 6\*80, CLST (Installation drawing) - USA



ESW 6\*80, CLST (detailed installation drawing) - USA



ESW 6\*80, CLST (Installation drawing) - USA



ESW 6\*80, CLST (detailed installation drawing) - USA