

PUR 98 D

Island décor hood

with energy-efficient LED lighting and backlit controls for easy use.



- Timeless design - 35 3/8 (898)Inch wide stainless steel ventilation hood
- Efficient filtration- 10-ply stainless steel grease filters
- Safe and easy to clean - Miele CleanCover
- Suitable for every home - vented or recirculating

EAN: 4002515940082 / material number: 10743130

Construction type	
Island ventilation hood	•
Design	
Color	Stainless steel
Operating modes	
Recirculated mode	Convertible
OdorFree charcoal filter (order separately)	DKF12-900
Control panel	
Electronic controls	•
Light-touch controls	•
Power levels (number excl. Intensive)	3
Intensive setting	•
Programmable 'Intensive' switch-off	•
Cleaning convenience	
Easy-to-clean CleanCover hood liner	•
Filter system	
Number of dishwasher-safe stainless steel grease filters	3
Lighting	
LED ClearView lighting	•
Light intensity in Lx	500
Color temperature in K	3,000
Blower	
Dual-action blower	•
AC motor	•
Air throughput with max. duct diameter in vented mode (not for external version)	
Air throughput	Values upon request
Safety	
Safety shut-off	•
Technical data	
Overall hood height for vented and external in in.(mm)	38 1/4 (970)
Overall hood height for recirculation in in.(mm)	40 5/8 (1,030)
Canopy width in in.(mm)	35 3/8 (898)
Height of hood canopy in in.(mm)	2 7/8 (70)
Depth of hood canopy in in.(mm)	23 5/8 (598)
Minimum distance above electric cooktops in in.(mm)	24 1/8 (610)
Minimum height above gas cooktop (max. 12.6 kW total power, burner 4.5 kW) in mm	26 (660)
Net weight in lbs. (kg)	75 (34.0)
Length of electrical wire in ft (m)	0 (0.0)
Hard-wired	•
Total connected load in kW	0.36
Voltage in V	120
Fuse rating in A	15
Number of phases	1
Installation notes	
Vent connection at top	•
Diameter of vent connection in in.(mm)	6 (150)
Telescopic chimney	•
Standard accessories	
Non-return flap	•

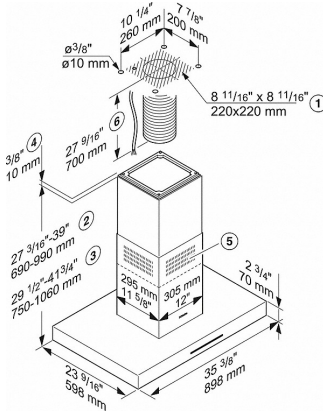
More information at www.MieleUSA.com

For further information please see next page...

PUR 98 D

Island décor hood

with energy-efficient LED lighting and backlit controls for easy use.



PUR 98 D (Installation drawing) - USA/CDN

- 1) Installation area/site
- 2) Vented
- 3) Recirculation
- 4) Installation alternatively with spacer frame
- 5) Ventilation grille positioned at the top for recirculation
- 6) A supply lead, and for vented mode flexible vent ducting, must be pre-fitted for the connection in the ceiling to the connection of the cooker hood.