

KM 360 G

Gas cooktop
with 4 burners



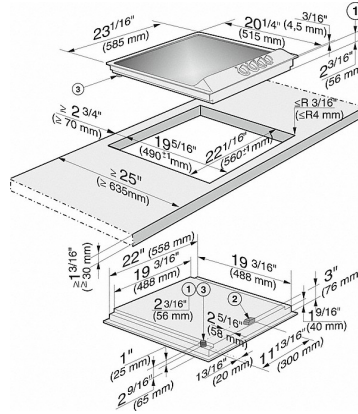
- Simple controls -single-handed operation via rotary dial control
- Professional design - 23 1/8 (585)Inch wide stainless steel trough
- Versatile - 4 burners

EAN: 4002513771572 / material number: 06391560

| | |
|--|-------------------|
| Type of heating | |
| Fuel type | Gas |
| Construction type | |
| Independent of oven | • |
| Design | |
| Cast iron pot rest (matte black enameled) | • |
| Ring features | |
| No. of rings | 4 |
| Ring | |
| Position | front left |
| Type | High-speed burner |
| Max. rating in W | 3000 |
| Position | rear left |
| Type | Economy burner |
| Max. rating in W | 1000 |
| Position | rear right |
| Type | Standard burner |
| Max. rating in W | 1750 |
| Position | front right |
| Type | Standard burner |
| Max. rating in W | 1750 |
| Control panel | |
| Operation via knobs | • |
| Electronic ignition with one-handed operation | • |
| Safety | |
| GasStop | • |
| Technical data | |
| Dimensions in in. (width) | 23 1/8 (585) |
| Dimensions (height) in in.(mm) | 2 1/4 (56) |
| Dimensions (depth) in in.(mm) | 20 3/8 (515) |
| Cutout dimensions in in. (width) with proud-mounted installation | 22 1/8 (560) |
| Cutout dimensions in in. (depth) with proud-mounted installation | 19 3/8 (490) |
| Weight in lbs. (kg) | 26 (12) |
| Power cord length in m | 6 (2.0) |

KM 360 G

Gas cooktop
with 4 burners



KM 360 G (installation drawing) - USA

- 1) Built in depth
- 2) Electrical Connection box
- 3) Gas Connection R 1/2" NPT