

# MOEN®

## Specifications

*There is more than 1 version of this model.  
Page down to identify the version you have.*

### DESCRIPTION

- Metal construction
- Integral 1/2" PEX
- Includes 1/2" cold expansion PEX adapters
- Designed to be installed on finished decks up to 1-3/16" (30mm) on 10" centers
- Includes test plug

### OPERATION

- Can be installed with any Moen deck mounted Roman tub trim kit
- Rotate hot side handle counterclockwise to open (clockwise to close) and the cold side handle clockwise to open (counterclockwise to close)

### FLOW

- Designed to deliver 17 gpm at 45 psi. (60L/min)

### CARTRIDGE

- 1258 cartridge design with nonmetallic and stainless steel materials

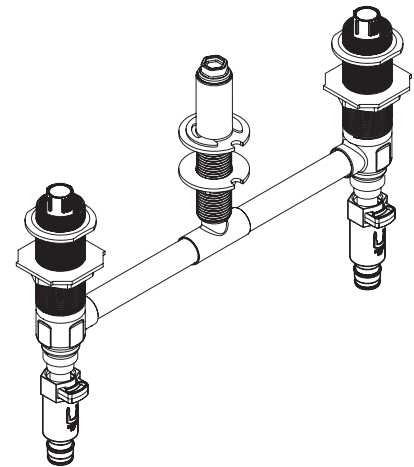
### STANDARDS

- Designed and manufactured to comply with the applicable requirements of: ASME A112.18.1/CSA B-125.1, ASTM F1807, CSA B137.5 for PEX, ASTM D2846, CSA B137.6 for CPVC and all applicable requirements referenced therein

### WARRANTY

- Lifetime limited warranty against leaks, drips and finish defects to the original homeowner
  - 10 year limited warranty when used in a multifamily installation
  - 5 year limited warranty when used in a commercial installation
- Visit [www.moen.com/support](http://www.moen.com/support) for complete details and limitations

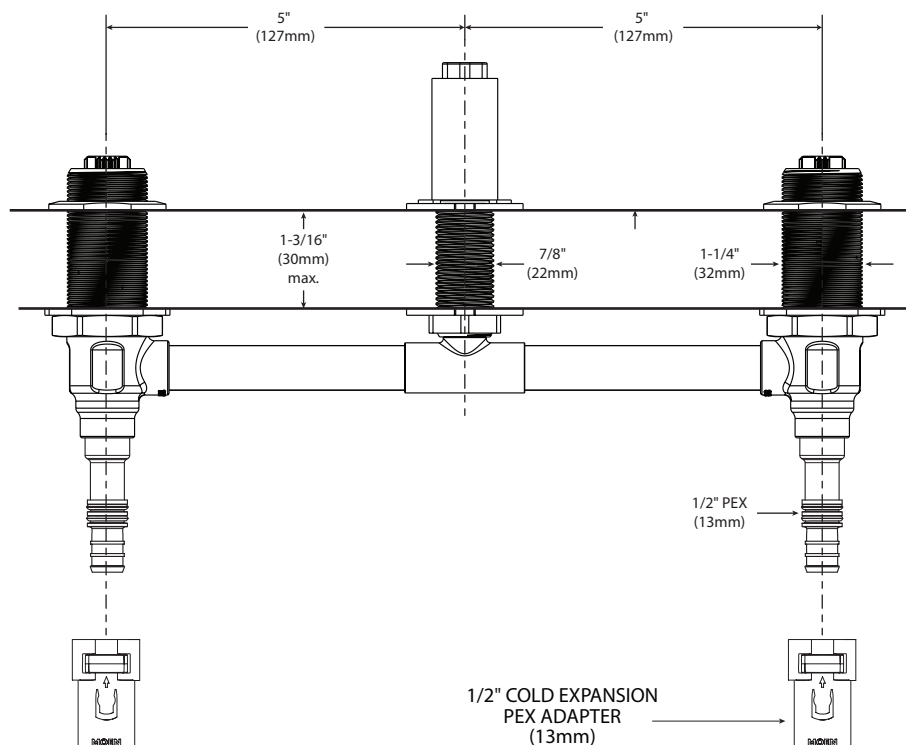
**NOTE:** Plumbing codes require this product to be used with a device conforming to ASSE.



### Roman Tub High Flow Rough-In Valve 10" - Fixed Type

**Model:** 4798

104465 Thermostatic mixing valve sold separately is certified to ASSE 1070 and CSA B-125.3



### CRITICAL DIMENSIONS

(DO NOT SCALE)

## DESCRIPTION

- Metal construction
- Integral 1/2" PEX
- Includes 1/2" cold expansion PEX adapters
- Designed to be installed on finished decks up to 1-3/8" (35mm) on 10" centers
- Accommodates 1/2" (13mm) additional finish deck
- Includes test plug

## OPERATION

- Can be installed with any Moen deck mounted Roman tub trim kit
- Rotate hot side handle counterclockwise to open (clockwise to close) and the cold side handle clockwise to open (counterclockwise to close)

## FLOW

- Designed to deliver 16 gpm at 45 psi. (60L/min)

## CARTRIDGE

- 1248 cartridge design with nonmetallic and stainless steel materials

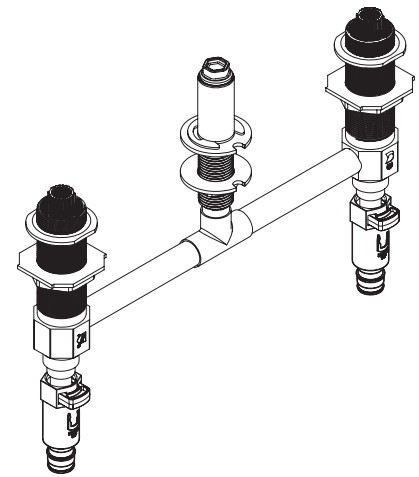
## STANDARDS

- Designed and manufactured to comply with the applicable requirements of: ASME A112.18.1/CSA B-125.1, ASTM F1807, CSA B137.5 for PEX, ASTM D2846, CSA B137.6 for CPVC and all applicable requirements referenced therein

## WARRANTY

- Lifetime limited warranty against leaks, drips and finish defects to the original homeowner
  - 10 year limited warranty when used in a multifamily installation
  - 5 year limited warranty when used in a commercial installation
- Visit [www.moen.com/support](http://www.moen.com/support) for complete details and limitations

**NOTE:** Plumbing codes require this product to be used with a device conforming to ASSE.



**Roman Tub High Flow Rough-In Valve 10" - Fixed Type**

**Model: 4798**

104465 Thermostatic mixing valve sold separately is certified to ASSE 1070 and CSA B-125.3

