

Rinza™ Technical Specification

18 in. / 24 in. Towel Bar

Y1118/Y1124

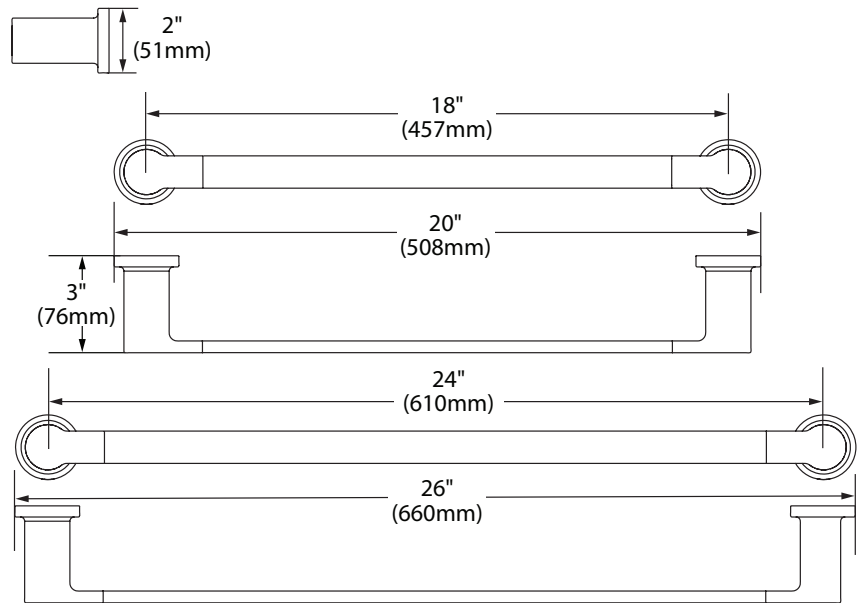
Stock Numbers:

- **Y1118CH – 18" Towel Bar**
Chrome Finish
- **Y1118BN – 18" Towel Bar**
Brushed Nickel Finish
- **Y1118BL – 18" Towel Bar**
Matte Black Finish
- **Y1124CH – 24" Towel Bar**
Chrome Finish
- **Y1124BN – 24" Towel Bar**
Brushed Nickel Finish
- **Y1124BL – 24" Towel Bar**
Matte Black Finish

Materials:

18 in. and 24 in. Towel Bar is constructed of zinc.

Dimensions:



Installation Instructions:

Tools Required: Phillips screwdriver, drill, 1/4" drill bit, hammer, level, tape
Hardware Kit Contents: 2 anchors, 1 hex wrench.

Note: Directions below are for installation into drywall. If installing product into a stud, use the wood screws only.

- 1) Remove mounting posts from the product assemblies by loosening each setscrew.
- 2) Position the mounting plate on the wall in the desired location and mark holes at the horizontal screw location on the template if installing into drywall or vertical screw location if installing into a stud.
- 3) Drill 1/4" pilot holes in marked locations.
- 4) Lightly tap anchors until flush with the wall.
- 5) Place each mounting plate over anchors and insert screws through post into anchors.
- 6) Tighten screws.
- 7) Place posts over the mounting plates with setscrew facing down and tighten setscrew.

Cleaning Instructions:

To preserve the fine finish of this product, clean only with a soft damp cloth. Dry well. Do not use commercial or abrasive cleaners.

Stock Number: Y1118 and Y1124 Towel Bar

25300 AL MOEN DRIVE • NORTH OLMSTED, OH 44070
CORPORATE HEADQUARTERS: (800) 321-8809 • FAX: (800) 848-6636
INTERNATIONAL: (440) 962-2000 • FAX: (440) 962-2726
CUSTOMER SERVICE (USA): 800-882-0116 • FAX: (888) 379-2720
WWW.MOEN.COM

© 2019 Moen Incorporated. Moen is a registered trademark and Rinza is a trademark of Moen Incorporated. All rights reserved.

MOEN®