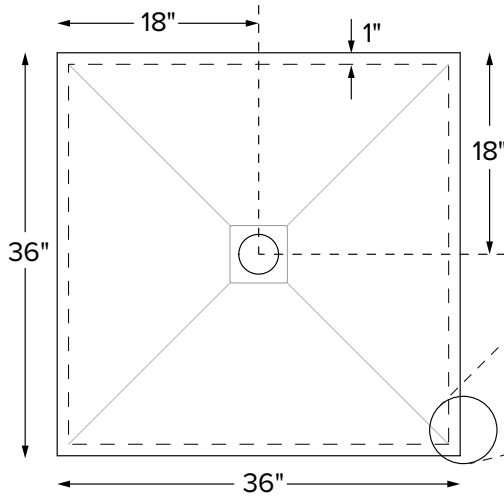


Centrar



36" x 36" x .9375"
MULTI, LOW-PROFILE THRESHOLD textured floor
Center Drain
Mineral Composite
77 lbs / 35 kg

When ordering, must specify tile flange locations.

Factory-installed tile flange is 1/16" thick. Account for this thickness for each side with flange when planning final opening size.

Model #	Texture	Description	Color / Finish	MSRP
SBB3636	Pizarra	Matching Pizarra hidden drain cover	White Matte	\$1,535
SBB3636V			Optional Color	

Options Must be ordered at time of purchase

Finish/Color (no charge)

- Matte White (MWH)
- Matte Gray (MGY)
- Matte Black (MBK)

Accessories

Teak Shower Seat

- Premium
 - Natural Stainless (TK-SSEAT2416BNS) **\$3,035**
 - High-Polished Stainless (TK-SSEAT2416BHP) **\$3,465**
- Standard
 - Natural Stainless (TK-SSEAT2215NS) **\$1,125**
 - High-Polished Stainless (TK-SSEAT2215HP) **\$1,575**

Teak Bath Mat (TKMAT3018) \$815 Measures 30" x 17.5" x 1"
Custom sizes also available. Contact MTI for details.

Recommended Drain Kits

- Oatey 42099
- Westbrass D206P

ORDERING AND INSTALLATION

- Factory-installed tile flange on 1, 2 or 3 sides to facilitate installation. Must specify tile flange location(s) on order.
- Include tile flange thickness when planning framed shower base opening.
- 3.5" drain opening pre-drilled.
- Drain cover included. Check packaging carefully.
- Designed to install on a flat, level subfloor. See installation instructions.
- All bases are in accordance with CSA B45.5/IAPMO Z124 standard and compliant with ASTM C 1028-07 coefficient of friction.



Shown above on Lado shower base

Factory-installed tile flange is 1/16" thick. Account for this thickness when planning final opening size.

- Options and accessories may be packaged inside the box. Always check packaging before discarding.
- All product measurements are ±1/2".
- Specifications and configurations are subject to change without notice.
- Measurements herein supersede all others published prior to publication date below.

See the Installation & Operation Manual for more details.
MTI's Customer Service: Monday-Friday 8am-6pm EST
800-783-8827 or service@mtibaths.com

CSA # MCSB-B3636

©2023 by MTI Baths, Inc. Modification Rights Reserved



Rev. 03 24 2023