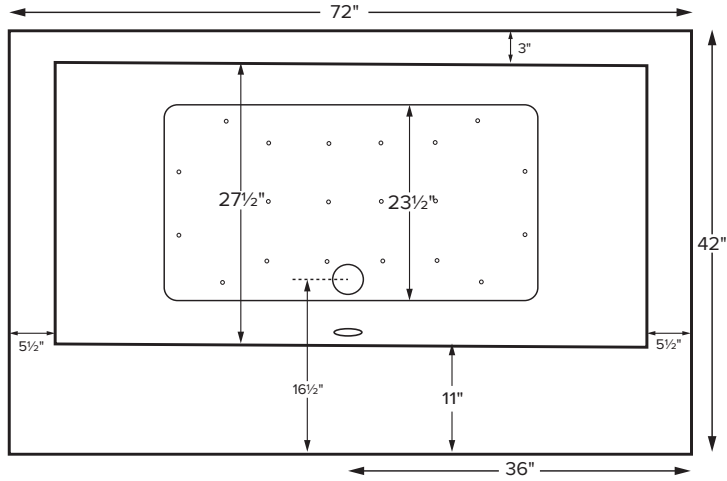




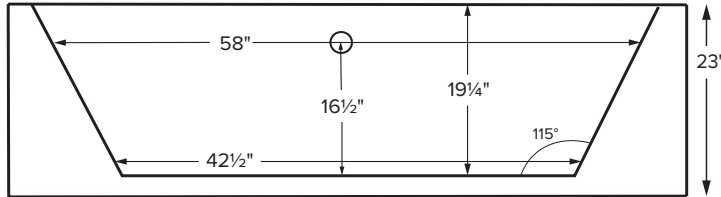
Available as a freestanding model or finished on 1, 2 or 3 sides for various installation applications.

Metro 1
with Sculpted Finish®

MODEL 83A	
72" x 42" x 23"	
FREESTANDING or ALCOVE <i>Not recommended as a tub/shower combination</i> 100 gal to overflow	
Acrylic CXL®	DoloMatte®
180 lbs / 82 kg	<SOAKER> 203 lbs / 92 kg
Filling this tub to the maximum may require an above average size or dedicated water heater.	



Features a flat 11" deck surface on the drain side for mounting faucetry. Drain kit sold separately. Shown as Air Bath



ELECTRICAL COMPONENTS & SPECIFICATIONS		
Hydrotherapy Package	Components Included	GFCI/110V
Microbubbles	Microbubbles pump	1-15 amp
Air Massage	heated blower	1-15 amp
Microbubbles with Air	Microbubbles pump, heated blower	1-20 amp
Air Massage Elite	heated blower, chromatherapy	1-15 amp
Microbubbles with Air Elite	Microbubbles pump, heated blower, chromatherapy	2-15 amp

Electrical requirements may change with the addition of optional therapy components. See specific option details or installation information, CSA Certified C/US; B45.5/IAPMO ANSI Z124.1 and ANSI 112.19.7

See the Installation & Operation Manual for more details.
MTI's Customer Service: Monday-Friday 8am-6pm EST
800-783-8827 or service@mtibaths.com

IMPORTANT ORDERING & INSTALLATION INFORMATION

- Before ordering or installing, please consider future access to equipment.
- Unless ordering Sculpted Finish on 4 sides, please include a diagram specifying which sides will need to be finished, along with location of optional tile flange(s).
- Drain is not included with this tub model.
- When ordering an air bath, the air blower must be remote mounted.
- Microbubbles system components must be installed on a non-Sculpted Finish side. Components will extend beyond the perimeter of the tub. Call MTI for specific details regarding the desired installation before placing the order.
- Radiance placed on floor locations will affect placement of air jets.
- Hydrotherapy equipment may ship loose for remote installation. See package content on the following page for details. Specifications and configurations are subject to change without notice.
- All tubs are compliant with ASTM C 1028-07 coefficient of friction. DoloMatte meets ANSI A137.1/A326.3 coefficient of friction and AS HB198:2014 slip tests.

• Options and accessories may be packaged inside the tub crate. Always check packaging before discarding.
• All product measurements are ±1/2".
• Specifications and configurations are subject to change without notice.
• Measurements herein supersede all others published prior to publication date below.



For more information on hydrotherapy packages please visit: mtibaths.com/wellness/

Metro 1
with Sculpted Finish®
MODEL 83A
72" x 42" x 23"

Hydrotherapy Packages	Package Contents	Sculpted Finish Sides	Acrylic CXL®		DoloMatte®	
			Part #	MSRP	Part #	MSRP
Soaker	Soaking bath - no jets, pre-leveled foam base	4-sides sculpted	S83A4	\$8,595	S83D4	\$9,675
		3-sides sculpted	S83A3	\$7,950	S83D3	\$8,895
		2-sides sculpted	S83A2	\$6,415	S83D2	\$7,225
		1-side sculpted	S83A1	\$6,040	S83D1	\$6,715
Microbubbles	1 infusion port, microbubbles pump, pre-leveled foam base	4-sides sculpted	n/a	n/a	n/a	n/a
		3-sides sculpted	M83A3	\$10,940	M83D3	\$11,885
		2-sides sculpted	M83A2	\$9,405	M83D2	\$10,215
		1-side sculpted	M83A1	\$9,030	M83D1	\$9,705
Air Massage	20 air jets, heated air blower, pre-leveled foam base	4-sides sculpted	AST83A4	\$11,880	AST83D4	\$12,960
		3-sides sculpted	AST83A3	\$11,235	AST83D3	\$12,180
		2-sides sculpted	AST83A2	\$9,700	AST83D2	\$10,510
		1-side sculpted	AST83A1	\$9,325	AST83D1	\$10,000
Air Massage Elite	30 air jets, heated air blower, Chromatherapy LED lighting, Spa Mode, pre-leveled foam base	4-sides sculpted	AE83A4	\$13,590	AE83D4	\$14,670
		3-sides sculpted	AE83A3	\$12,945	AE83D3	\$13,890
		2-sides sculpted	AE83A2	\$11,410	AE83D2	\$12,220
		1-side sculpted	AE83A1	\$11,035	AE83D1	\$11,710
Microbubbles with Air Massage	1 infusion port, microbubbles pump, 20 air jets, heated air blower, pre-leveled foam base	4-sides sculpted	n/a	n/a	n/a	n/a
		3-sides sculpted	ASTM83A3	\$13,685	ASTM83D3	\$14,630
		2-sides sculpted	ASTM83A2	\$12,150	ASTM83D2	\$12,960
		1-side sculpted	ASTM83A1	\$11,775	ASTM83D1	\$12,450
Microbubbles with Air Massage Elite	1 infusion port, microbubbles pump, 30 air jets, heated air blower, Chromatherapy LED lighting, Spa Mode, pre-leveled foam base	4-sides sculpted	n/a	n/a	n/a	n/a
		3-sides sculpted	AEM83A3	\$15,305	AEM83D3	\$16,250
		2-sides sculpted	AEM83A2	\$13,770	AEM83D2	\$14,580
		1-side sculpted	AEM83A1	\$13,395	AEM83D1	\$14,070

Microbubbles system components must be installed on a non-Sculpted Finish® side.

Components will extend beyond the perimeter of the tub. Call MTI for specific details regarding the desired installation before placing order.

For more customized applications, additional hydrotherapies may possibly be integrated in Sculpted Finish® tubs, depending on the types of therapy and the installation application. Visit mtibaths.com or call MTI at 800.783.8827.

RECOMMENDED SENSORY THERAPIES

Chromatherapy

(LE) **\$800** underwater lighting
2 LED lights included

Audiotherapy

(STEREOBT) **\$1,390** 2 transducers with bluetooth and amplifier
(BTREMOTE) **\$600** bluetooth remote

(STEREOH202) **\$1,575** 4 transducers
amplifier not included

Thermaltherapy

(RAD100) **\$1,595** Radiance®
2 heated zones included
Zones may be specified on Metro tub deck.



For more information on options and accessories go to Acrylic Tub Options on mtibaths.com

Metro 1 with Sculpted Finish®
MODEL 83A

Options <i>Must be ordered at time of purchase.</i>	
Standard Color White (CWH) gloss Acrylic CXL, matte DoloMatte	
Textured, Slip-Resistant Bottom (TXTBTM) \$105 DoloMatte® exceeds ANSI A137.1/A326.3 and AS HB198 slip tests.	
Ozonator (OZONE) \$515	
Virtual Spout high-flow integrated tub filler (FPMJ) \$450 <i>Must be located on same side as tub deck. Specify location when ordering.</i>	
Installation Options <i>Must be ordered at time of purchase.</i>	
Tile Flange	
Factory Installed rigid ABS	IMPORTANT: <i>Must specify flange location(s) on order of Factory-Installed Flange.</i>
1 Side (TFK1) \$175	
2 Sides (TFK2) \$185	
3 Sides (TFK3) \$200	
Field Install Kit (TFKNI) \$185	
Includes rigid ABS & adhesive	

Accessories	
Pillows from \$180	
Teak Bath Mat (TKMAT3018) \$815 <i>Custom sizes also available. Contact MTI for details and pricing.</i>	
Teak Tub Tray	
Slatted (TK-TRAY1) \$500	Solid (TK-TRAY2) \$570
Floor-Mounted High-Flow Tub Filler	
Contemporary	
Chrome (FILLC) \$1,480	
Brushed Nickel (FILLBN) \$1,710	

Drains & Overflow Kits *Toe Tap Rectangular Overflow must be ordered at time of purchase*

Cable Driven	Drain Finishes – PVC Drain Kit
	White/Bone/Biscuit (WOCDDW) \$440
	Chrome (WOC) \$410
	Brushed Nickel (WOCDBN) \$490
	Polished Nickel (WOCDPN) \$540
	Oil-Rubbed Bronze+ (WOCDDOR) \$550
	Polished Brass (WOCDBR) \$690
	Special Finishes* (WOCDSF) \$1,135
	<i>MTI does not offer a brass body cable drain kit.</i>
Lift & Turn	Drain Finishes – PVC Drain Kit
	Chrome (WOC) \$185
	White (WOW) \$245
	Brushed Nickel (WOBN) \$305

Toe Tap	Round Overflow – PVC Drain Kit
	Chrome (WOTTC) \$380
	Brushed Nickel (WOTTBN) \$385
	Polished Nickel (WOTTPN) \$385
	Special Finishes* (WOTTSF) \$1,145
	Round Overflow – Solid Brass Drain
	Chrome (WOTTSBC) \$810
	Brushed Nickel (WOTTSBBN) \$810
	Polished Nickel (WOTTSBPN) \$810
	Rectangular Overflow – PVC Drain Kit
	Chrome (WOTRC) \$470
	Brushed Nickel (WOTRBN) \$430
	White (WOTRW) \$525

Slim-Line Overflow with Toe Tap Drain *Must be ordered at time of purchase.*

- Low profile overflow is factory installed
- Overflow measures 4.5" x 1"
- Provides a deeper soak
- Not available for commercial applications

Slim-Line Overflow with Toe Tap Drain
PVC Drain
Chrome (SLOT) \$500
Brushed Nickel (SLOTBN) \$530
Polished Nickel (SLOTBN) \$555
White (SLOTW) \$430

Slim-Line Overflow with Toe Tap Drain
Solid Brass Drain
Chrome (SLOTSBC) \$930
Brushed Nickel (SLOTSBBN) \$935
Polished Nickel (SLOTSBPN) \$935
White (SLOTSBW) \$965



Optional Slim-Line overflow

* MTI has selected an oil-rubbed bronze finish that is compatible with Delta and many other manufacturers. To ensure best match, order as a Special Finish and submit a sample.
* Allow 2-4 weeks lead time for Special Finishes. Send sample for best match.

