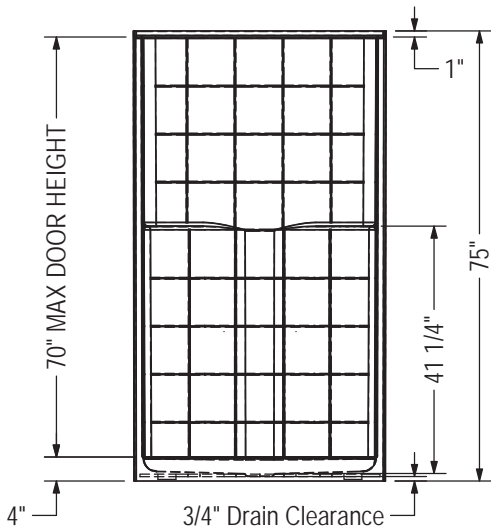
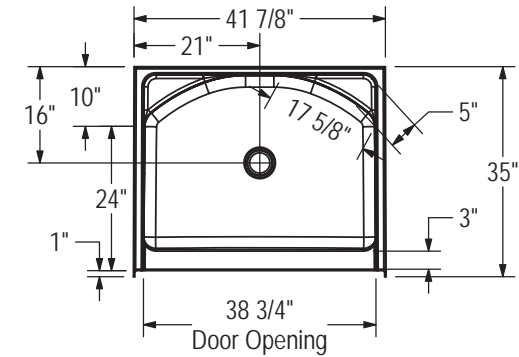
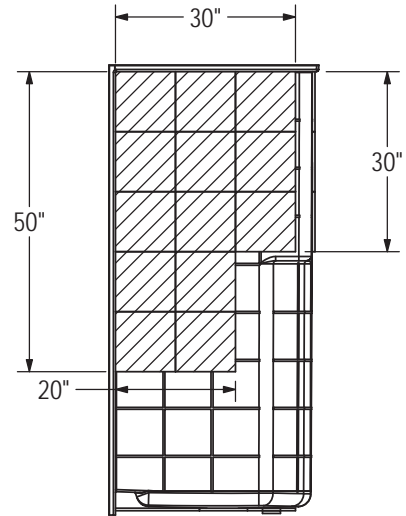


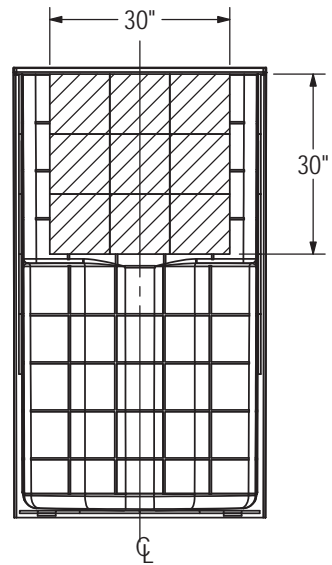
REINFORCEMENT BACKING



SIDE WALL REINFORCEMENT



BACKWALL REINFORCEMENT



All dimensions are approximate. Structure measurements must be verified against the unit ensure proper fit.