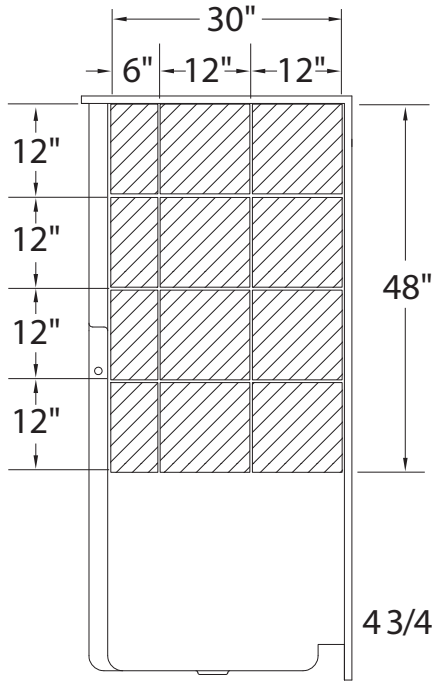
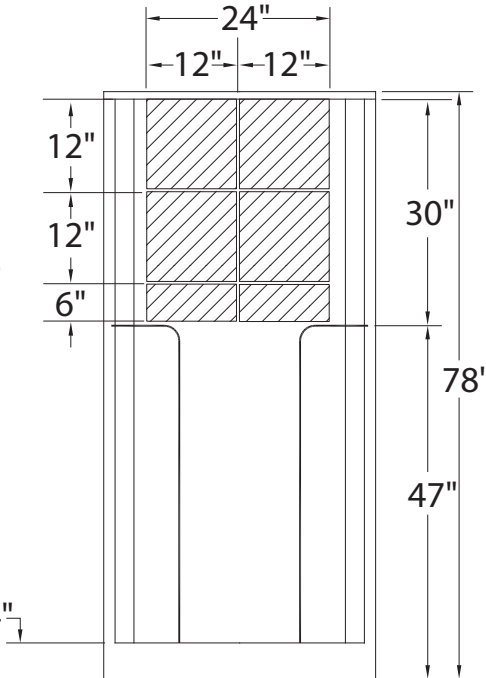


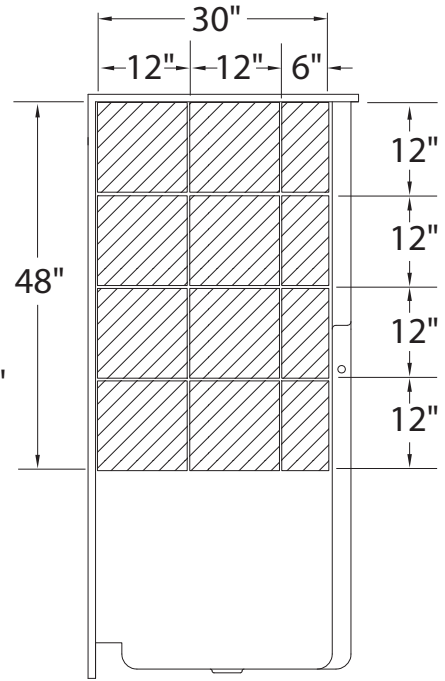
Full Wall Reinforcement Shown



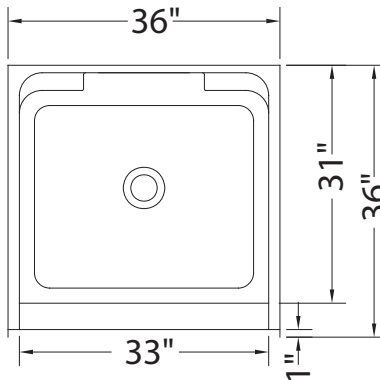
LEFT WALL Reinforcement



BACK WALL Reinforcement



RIGHT WALL Reinforcement



All dimensions are approximate. Structure measurements must be verified against the unit to ensure proper fit.