

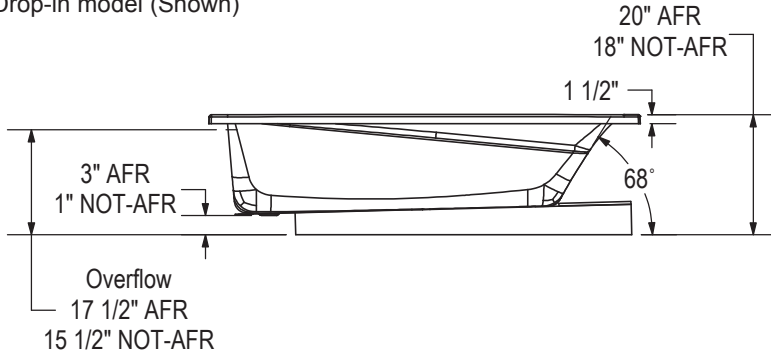
IFS Without System  
Single tiling flange



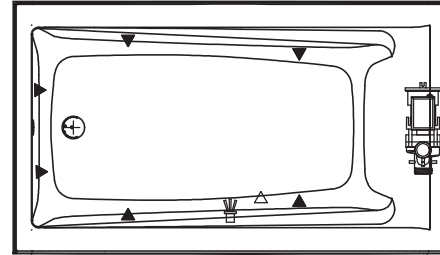
IFS With System  
(access panel)  
Single tiling flange



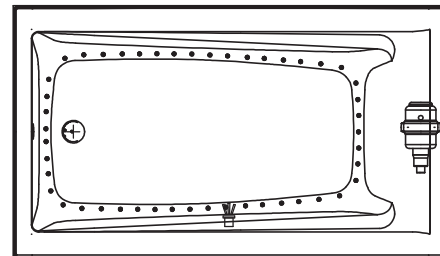
1" Single integrated tiling  
flange (not shown)  
Drop-in model (Shown)



WHIRLPOOL SYSTEM



AIR SYTEM



Technical drawing is universal for all  
Exhibit 7242 configurations.

Wood support design may vary.  
Single Integrated tiling flange: 1" height x 1/4" thickness (not shown)

All dimensions are approximate.  
Structure measurement must be verified against the unit to ensure proper fit.

- ( ▲ ) : Indicates whirlpool jets positioning
- ( ⊕ ) : Indicates suction positioning
- ( ● ) : Indicates airjets positioning
- ( ⊠ ) : Indicates chromatherapy light positioning