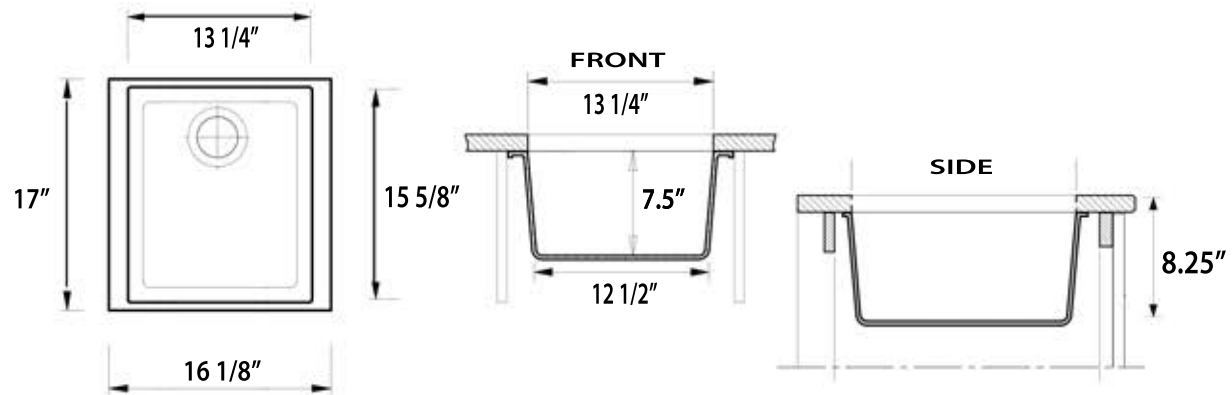


Granite Composite
 Premium Granite Composite
 Undermount Kitchen Sink



MODEL:
PR1716-TI



Overall Dimensions	Interior Bowl	Bowl Depth	Height	Drain Dimension
16.125" x 17"	13.25" x 15.625"	7.5"	8.25"	3.5"

FEATURES

- Premium Granite Composite Kitchen Sink
- 80% Stone/20% Resin
- Scratch Resistant/Heat resistant to 560F degrees
- Hygienic non-porous surface
- Undermount installation clips included
- Designed and made in Italy
- Matte finish with metallic flecks
- Limited Manufactures Warranty



PROJECT/ NAME:

ARCHITECT/CONTRACTOR:

MODEL:

JOB NOTES: