

Pro-Series Collection

Premium Stainless Steel
Small Radius Pro Topmount Kitchen Sink



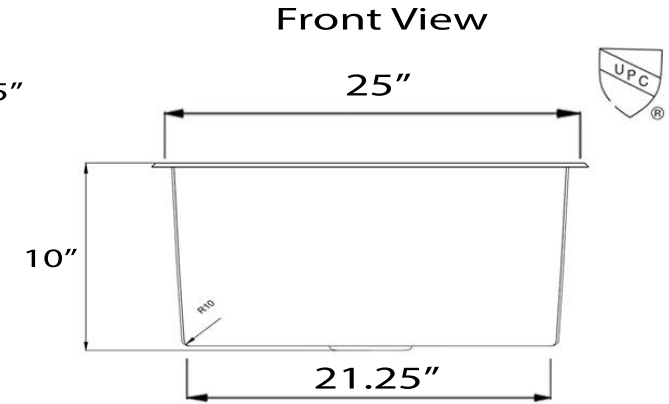
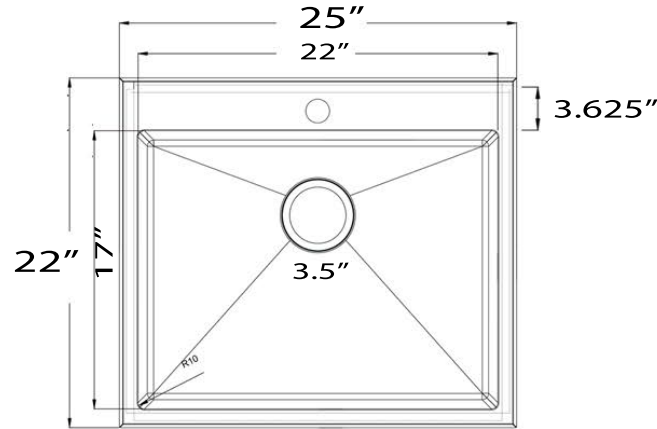
Nantucket

S I N K S

www.NantucketSinksUSA.com
info@nantucketsinksusa.com

MODEL:

SR2522-16



Overall Dimensions	Interior Dimensions	Bowl Depth	Back Deck Length	Drain Hole Diameter
25" x 22" x 10"	22" x 17" (Top) 21.25" x 16" (Bottom)	10"	3.625"	3.5"

FEATURES:

- Premium 304, 16 gauge stainless steel kitchen sink
- Colander drain and grid included (Lux accessory pkg.)
- Brushed satin finish
- Limited lifetime manufacturer's warranty
- Insulated to reduce condensation
- Rubber padding is applied for noise reduction
- Tolerance +/- 1/8"

Project Name: _____

Architect / Contractor: _____

Job Notes: _____
