

Class 125 Iron Body Gate Valves

Bolted Bonnet • Outside Screw and Yoke • Solid Wedge • Bronze Mounted

150 PSI/10.3 bar non-shock cold working pressure from -20°F to 150°F/-29°C to 66°C*

Maximum working temperature 350°F/177°C at 100 PSI/6.9 bar

***100 PSI/6.9 bar saturated steam to 338°F/170°C**

****50 PSI/3.4 bar saturated steam to 297°F/147°C**

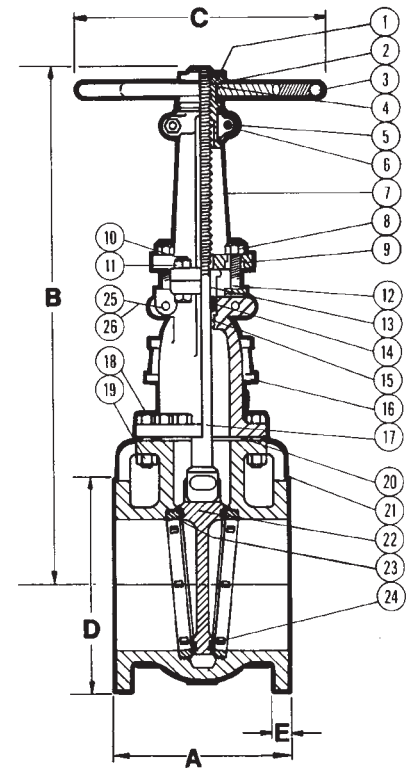
CONFORMS TO MSS SP-70

MATERIAL LIST

PART	SPECIFICATION
1. Handwheel Nut	Copper Alloy ASTM B584 Alloy C84400
2. I.D. Tag	Aluminum
3. Handwheel	Fabricated Steel
4. Yoke Bushing	Copper Alloy ASTM B584 Alloy C84400
5. Split Yoke Bolt	Steel ASTM A307/SAE J429
6. Split Yoke Bolt Nut	Steel ASTM A563
7. Yoke	Cast Iron ASTM A126 Class B
8. Gland Follower Nut	Copper Alloy ASTM B16 Alloy C36000
9. Gland Follower	Cast Iron ASTM A126 Class B or Ductile Iron ASTM A536
10. Yoke Bolt	Steel ASTM A307/SAE J429
11. Yoke Bolt Nut	Steel ASTM A563
12. Gland Follower Bolt	Steel ASTM A307/SAE J429
13. Packing Gland	Copper Alloy ASTM B584 Alloy C84400 or Copper Alloy ASTM B16 C36000
14. Packing	Wire Reinforced Carbon Yarn with Resilient Core and Zinc Finish
15. Backseat Bushing	Copper Alloy ASTM B584 Alloy C84400
16. Bonnet	Cast Iron ASTM A126 Class B
17. Stem	Copper Alloy ASTM B16 Alloy C36000
18. Body Bolt	Steel ASTM A307/SAE J429
19. Body Bolt Nut	Steel ASTM A563
20. Body Gasket	Graphite/SST
21. Body	Cast Iron ASTM A126 Class B
22. Wedge	Cast Iron ASTM A126 Class B
23. Seat Ring	Copper Alloy ASTM B584 Alloy C84400
24. Wedge Ring	Copper Alloy ASTM B584 Alloy C84400
25. Swing Nut	Steel ASTM A563
26. Swing Bolt	Steel ASTM A307/SAE J429
27. Grease Fitting	Alemite 1743B (not shown)
28. Stem Collar	Copper Alloy ASTM B16 Alloy C36000 (not shown)
29. Wedge Pin	Copper Alloy ASTM B 371 C69400 (not shown)
30. Wedge Nut	Copper Alloy ASTM B 61 C92200 (not shown)



F-617-0
Flanged



F-617-0
Flg x Flg



WARNING: This product can expose you to chemicals including lead, which is known to the State of California to cause cancer and birth defects or other reproductive harm. For more information go to www.P65Warnings.ca.gov.

DIMENSIONS—WEIGHTS—QUANTITIES

Size	Dimensions										Turns to Open	Weight		
	A		B		C		D		E			Lbs.	Kg.	
	In.	mm.	In.	mm.	In.	mm.	In.	mm.	In.	mm.				
14	350	15	381	65.50	1660	24	610	21.00	533	1.38	35	29.38	892	405
16	400	16	407	74.50	1892	24	610	23.50	597	1.44	37	33.50	1253	568
18	450	17	432	82.50	2096	24	610	25.00	635	1.56	40	37.63	1598	725
20	500	18	457	91.00	2311	30	762	27.50	699	1.69	43	41.88	2000	907
24	600	20	508	107.50	2731	30	762	32.00	813	1.88	48	50.06	2909	1319

* 14" and 16" ** 18", 20" and 24"

Visit our website for the most current information.

FREEZING WEATHER PRECAUTION: Subsequent to testing a piping system, valves should be left in an open position to allow complete drainage.

◆ For detailed Operating Pressure, refer to Pressure Temperature Chart on page 116.

NOTE: NIBCO may substitute Ductile Iron ASTM A395 (60-40-18) for ASTM A126 Class B Cast Iron for the Body, Bonnet, Wedge, or Disc. NIBCO may substitute Ductile Iron ASTM A395 (60-40-18) or ASTM A536 (65-45-12) for all other ASTM A126 Class B Cast Iron components.