



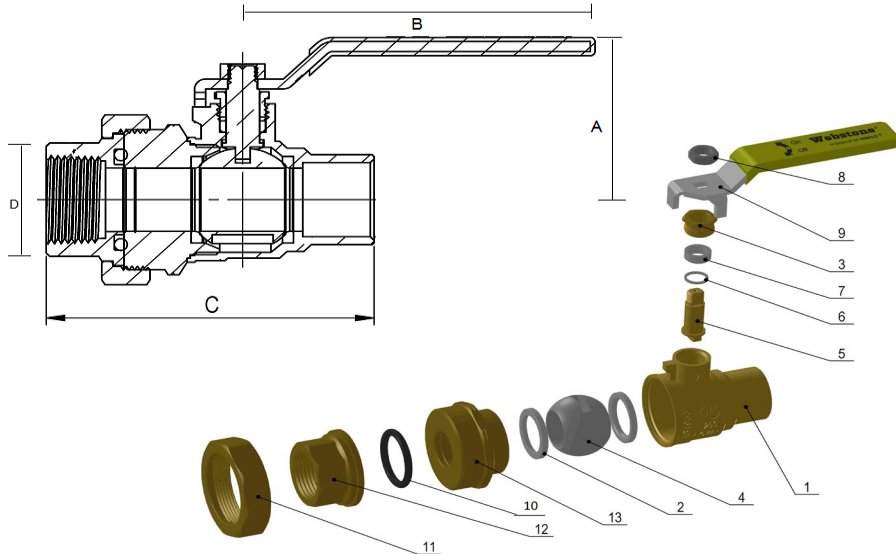
H-x042W Series

Pro-Pal Union Ball
Full Port Forged DZR Brass Ball Valve
w/ Single Union End
& Adjustable Packing Gland

Certifications

Certified to NSF/ANSI 61 & 372, NSF/ANSI 14

Lead-Free



NO.	DESCRIPTION	MATERIAL
1	Body	Lead-Free DZR Brass
2	Seat	PTFE
3	Packing Gland	Brass
4	Ball	Brass HCP (SS sizes 1 1/4 & 1 1/2)
5	Stem	Lead-Free DZR Brass (SS sizes 1 1/4 & 1 1/2)
6	Thrust Washer	PTFE
7	Packing	PTFE
8	Handle Nut	Stainless Steel
9	Handle	Steel CP
10	O-Ring	EPDM
11	Union Nut	Brass
12	Union Fitting	Lead-Free DZR Brass
13	Cap	Lead-Free DZR Brass

Designed for residential, commercial, or industrial use. This approved Webstone valve is actuated by a blowout proof stem. NSF/ANSI 14 certification applies to PEX and Push products only.

ITEM#	Connection Type	SIZE (in)	Max Temp	Pressure Rating	A	B	C	D
H-10422W	FIP Union x F1807 PEX	1/2"	200°F Max	250 PSI CWP Max	1.75	3.75	3.36	0.50 NPT
H-10423W	FIP Union x F1807 PEX	3/4"	200°F Max	250 PSI CWP Max	2.00	3.75	3.50	0.75 NPT
H-10424W	FIP Union x F1807 PEX	1"	200°F Max	250 PSI CWP Max	2.50	4.38	4.09	1.00 NPT
H-30422W	FIP Union x F1960 PEX	1/2"	200°F Max	250 PSI CWP Max	1.75	3.75	3.41	0.50 NPT
H-30423W	FIP Union x F1960 PEX	3/4"	200°F Max	250 PSI CWP Max	2.00	3.75	3.79	0.75 NPT
H-30424W	FIP Union x F1960 PEX	1"	200°F Max	250 PSI CWP Max	2.50	4.38	4.40	1.00 NPT
H-40422W	FIP Union x FIP	1/2"	200°F Max	250 PSI CWP Max	1.75	3.75	3.20	0.50 NPT
H-40423W	FIP Union x FIP	3/4"	200°F Max	250 PSI CWP Max	2.00	3.75	3.39	0.75 NPT
H-40424W	FIP Union x FIP	1"	200°F Max	250 PSI CWP Max	2.50	4.38	3.91	1.00 NPT
H-40425W	FIP Union x FIP	1 1/4"	200°F Max	250 PSI CWP Max	2.87	5.12	4.26	1.25 NPT
H-40426W	FIP Union x FIP	1 1/2"	200°F Max	250 PSI CWP Max	3.07	5.12	5.18	1.50 NPT
H-50422W	FIP Union x SWT	1/2"	200°F Max	250 PSI CWP Max	1.75	3.75	3.07	0.50 NPT
H-50423W	FIP Union x SWT	3/4"	200°F Max	250 PSI CWP Max	2.00	3.75	3.49	0.75 NPT
H-50424W	FIP Union x SWT	1"	200°F Max	250 PSI CWP Max	2.50	4.38	4.02	1.00 NPT
H-50425W	FIP Union x SWT	1 1/4"	200°F Max	250 PSI CWP Max	2.87	5.12	4.43	1.25 NPT
H-50426W	FIP Union x SWT	1 1/2"	200°F Max	250 PSI CWP Max	3.07	5.12	5.48	1.50 NPT
H-60422W	FIP Union x Push	1/2"	200°F Max	200 PSI CWP Max	1.75	3.75	3.52	0.50 NPT
H-60423W	FIP Union x Push	3/4"	200°F Max	200 PSI CWP Max	2.00	3.75	3.73	0.75 NPT
H-60424W	FIP Union x Push	1"	200°F Max	200 PSI CWP Max	2.50	4.38	4.17	1.00 NPT
H-80422W	FIP Union x Press	1/2"	200°F Max	250 PSI CWP Max	1.75	3.75	3.94	0.50 NPT
H-80423W	FIP Union x Press	3/4"	200°F Max	250 PSI CWP Max	2.00	3.75	4.32	0.75 NPT
H-80424W	FIP Union x Press	1"	200°F Max	250 PSI CWP Max	2.50	4.38	4.66	1.00 NPT
H-80425W	FIP Union x Press	1 1/4"	200°F Max	250 PSI CWP Max	2.87	5.12	5.35	1.25 NPT
H-80426W	FIP Union x Press	1 1/2"	200°F Max	250 PSI CWP Max	3.07	5.12	6.26	1.50 NPT