

**NEW Lead-Free Bronze Ball Valves with Spring Return Handle**

Spring Return Handle to Close • Press End Leak Detection • 3/4" Hose Connection w/ Cap • Silicon Performance Bronze® Alloy • Two-Piece Body • Full Port • Blowout-Proof Stem

**250 PSI/17 bar non-shock cold working pressure**

Lead-free markings: Double oval in body casting, white handle and blue hang tag

MSS SP-110/145 • NSF/ANSI/CAN 61-8 COMMERCIAL HOT 180° F • NSF/ANSI 372



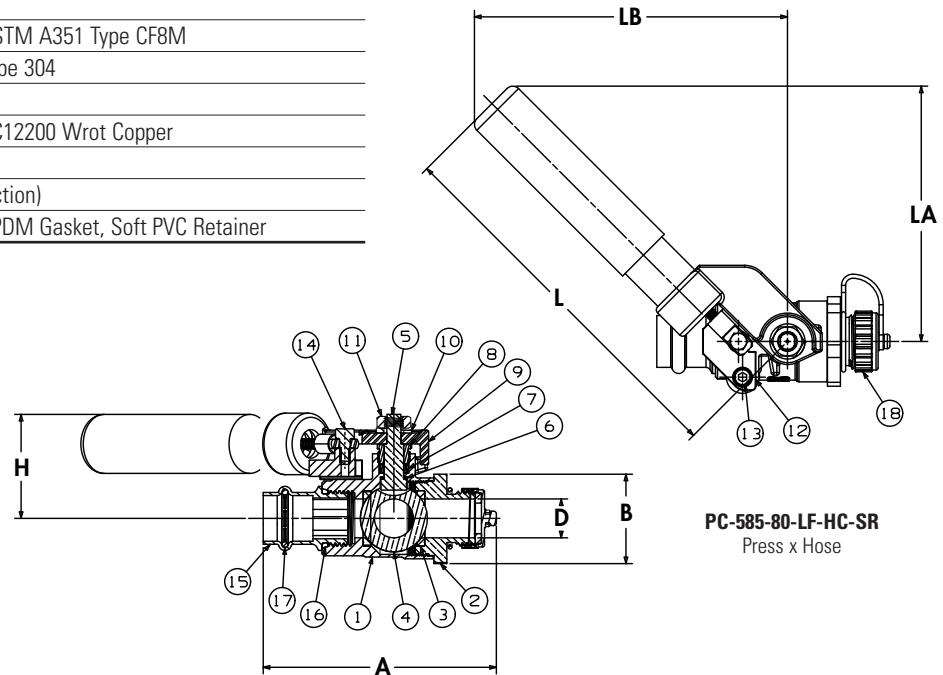
**MATERIAL LIST**

PART	SPECIFICATION
1. Body	ASTM B584 C87600 DZR Lead-free Silicon Bronze Casting
2. Body End Piece	ASTM B371 C69300
3. Seats (2)	Reinforced PTFE
4. Ball (Vented)	ASTM B584 C46500 DZR Lead-free Brass
5. Stem	ASTM C69300 Lead-free Silicon Bronze
6. Thrust Washer	Reinforced PTFE
7. Stem Packing	Virgin PTFE
8. Threaded Pack Gland	Brass ASTM B16 Alloy C36000
9. Handle assembly	Stainless Steel Type 316 and 304 with Vinyl Cover
10. Lock Washer	Stainless Steel
11. Handle Nut	Stainless Steel
12. Mounting Plate	Stainless Steel ASTM A351 Type CF8M
13. Socket Head Cap Screw (2)	Stainless Steel Type 304
14. Hex Shoulder Bolt	Stainless Steel
15. Press End Adapter	ASTM B75 Alloy C12200 Wrot Copper
16. Boss Seal	EPDM
17. Press End Seal	EPDM (Leak Detection)
18. Hose cap Assembly	Die Cast Brass, EPDM Gasket, Soft PVC Retainer



**PC-585-80-LF-HC-SR**  
Press x Hose

**Carbon Steel and Stainless Steel Ball Valve options available. See Ball Valve Catalog.**



**PC-585-80-LF-HC-SR**  
Press x Hose

**DIMENSIONS—WEIGHTS**

Size	Dimensions								Lbs.	Kg							
	A		B		C		H				L		LA		LB		
In.	mm.	In.	mm.	In.	mm.	In.	mm.	In.	mm.	In.	mm.	In.	mm.	In.	mm.		
1/2	12.70	3.82	97	1.57	40	0.50	13	1.73	44	7.11	181	4.84	123	5.79	147	1.38	0.63
3/4	19.05	4.50	114	2.00	51	0.75	19	2.90	74	7.28	185	4.92	125	6.04	153	2.11	0.96

NIBCO Press System ball valves are designed to meet MSS SP-110 with the exception of the end connection. Ball valves are down-rated from 600 PSI CWP to 250 PSI CWP to match the Press System. Male and female press-to-connect ends are new technology not yet covered in the current edition of this specification.

**WARNING:** This product can expose you to chemicals including lead, which is known to the State of California to cause cancer and birth defects or other reproductive harm. For more information go to www.P65Warnings.ca.gov.

LEAD-FREE: Weighted average lead content ≤ 0.25%

Visit our website for the most current information.