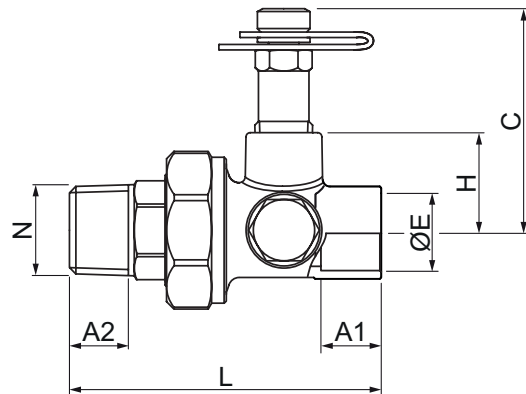


SMT-1800 DZR Brass Union with Test Point

Solder End ASME B16.22 x NPT Male Threaded Ends - 1/2" to 2"



MATERIAL LIST	
PART	SPECIFICATION
Body	Brass - UNS C35330 (DZR)
Union Nut	Brass - UNS C35330 (DZR)
Connector	Brass - UNS C35330 (DZR)
O-ring	EPDM
Test Point	Brass - UNS C35330 (DZR)
Plug (2)	Brass - UNS C35330 (DZR)



DIMENSIONS - In.								
Size	L	A1	A2	H	C	E	N	Weight Lbs.
1/2"	2.85	0.50	0.55	0.85	2.03	0.63	1/2" - 14 NPT	0.50
3/4"	3.12	0.75	0.55	0.97	2.15	0.88	3/4" - 14 NPT	0.62
1"	3.46	0.91	0.67	1.10	2.28	1.13	1" - 11.5 NPT	0.85
1 1/4"	3.71	0.97	0.69	1.22	2.47	1.38	1 1/4" - 11.5 NPT	1.22
1 1/2"	4.38	1.10	0.69	1.34	2.54	1.63	1 1/2" - 11.5 NPT	1.52
2"	4.34	1.33	0.71	1.59	2.79	2.13	2" - 11.5 NPT	2.19

600 PSI Non-Shock Cold Working Pressure at 100°F
Maximum Temperature 250°F at 200 PSI

Project: _____

Contractor: _____

PO/Job No.: _____

Engineer: _____

Representative: _____

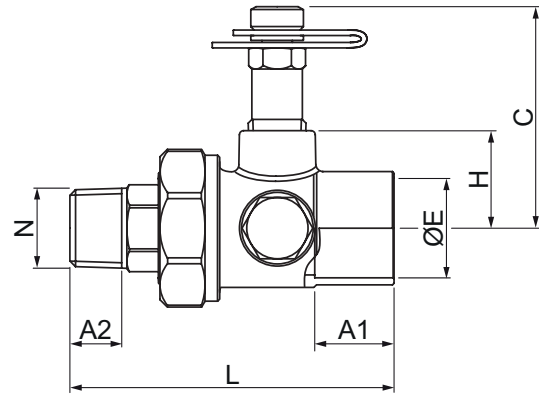
Date: _____

SMT-1800R DZR Brass Union with Test Point

Solder End ASME B16.22 x NPT Male Threaded End - 1/2" to 2"



MATERIAL LIST	
PART	SPECIFICATION
Body	Brass - UNS C35330 (DZR)
Union Nut	Brass - UNS C35330 (DZR)
Connector	Brass - UNS C35330 (DZR)
O-ring	EPDM
Test Point	Brass - UNS C35330 (DZR)
Plug (2)	Brass - UNS C35330 (DZR)



DIMENSIONS - In.								
Size	L	A1	A2	H	C	ØE	N	Weight Lbs.
3/4" x 1/2"	3.10	0.75	0.55	0.98	2.16	0.88	1/2" - 14 NPT	0.60
1" x 1/2"	3.31	0.91	0.55	1.10	2.30	1.13	1/2" - 14 NPT	0.75
1" x 3/4"	3.31	0.91	0.55	1.10	2.30	1.13	3/4" - 14 NPT	0.79
1 1/4" x 3/4"	3.50	0.96	0.55	1.22	2.42	1.38	3/4" - 14 NPT	1.08
1 1/4" x 1"	3.65	0.96	0.67	1.22	2.42	1.38	1" - 11.5 NPT	1.15
1 1/2" x 1"	3.89	1.10	0.67	1.34	2.54	1.63	1" - 11.5 NPT	1.45
1 1/2" x 1 1/4"	3.95	1.10	0.69	1.34	2.54	1.63	1 1/4" - 11.5 NPT	1.51
2" x 1 1/4"	4.24	1.34	0.69	1.59	2.79	2.13	1 1/4" - 11.5 NPT	2.08
2" x 1 1/2"	4.28	1.34	0.69	1.59	2.79	2.13	1 1/2" - 11.5 NPT	2.07

600 PSI Non-Shock Cold Working Pressure at 100°F
Maximum Temperature 250°F at 200 PSI

Project: _____
 Contractor: _____
 PO/Job No.: _____
 Engineer: _____
 Representative: _____
 Date: _____