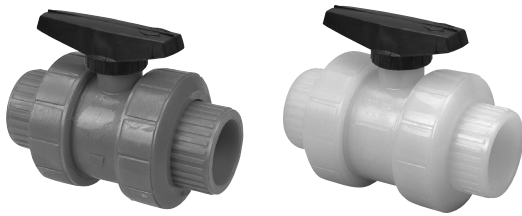


Red and Natural Kynar® PVDF Tru-Bloc® True Union Ball Valve, Model C



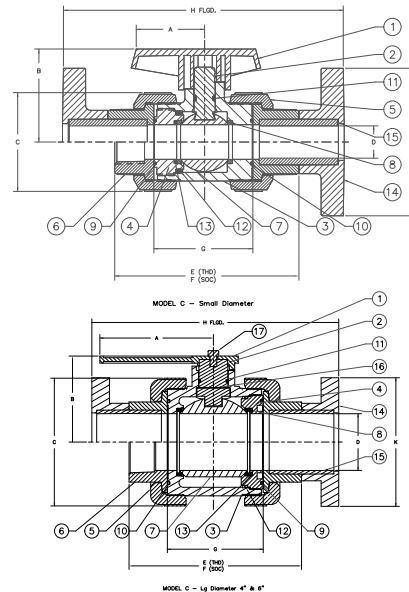
Construction Materials

Components ¹	Red PVDF	Nat. PVDF
1. Handle	Black PP	
2. Stem	Nat. PVDF	Nat. PVDF
3. Body	Red PVDF	Nat. PVDF
4. Seat-Carrier	Nat. PVDF	Nat. PVDF
5. Union Nut	Red PVDF	Nat. PVDF
6. End Connector	Red PVDF	Nat. PVDF
7. Ball	Nat. PVDF	Nat. PVDF
8. Seat ² ; (2 ea.)	PTFE	
9. O-Ring ³ – Seat-Carrier; End Seal		
10. O-Ring ³ – Body; End Seal		
11. O-Ring ³ – Stem; OD Seal		
12. O-Ring ³ – Seat-Carrier; OD Seal		
13. O-Ring ³ – Seat-Carrier; Seat Energizer		
14. Flange – 2 ea. Socket-End	Red PVDF	Nat. PVDF
15. Plain-End Nipple; 2 ea. Spg x Spg	Red PVDF	Nat. PVDF
16. Stem; Friction Washer (4" Only)	PTFE	
17. Handle Bolt (4" Only)	Nat. PP	

- 1 All components except valve bodies are available as replacement parts.
 2 Each replacement PTFE seat kit contains two seats.
 3 Each replacement O-ring kit contains all the O-rings required to refurbish a particular size True Union Ball or Check Valve (regardless of model or style), or a minimum of two pipe unions.

Features

- Rated at 150 psi with non-shock water service at 73°F
- Designed with an energizer O-ring beneath the seat-carrier, Model C valves automatically adjust for seat wear
- Full port design produces minimum flow restriction with the lowest possible pressure-drop
- Valves are manufactured and assembled without exposure to silicone compounds
- Distinctive black handle indicates "open/close" and direction of flow at a distance



Chemtrol Figure Numbers

Valve Sizes	Material	Elastomeric Trim	End Connections		
			Soc.	Thd.	Flgd.
1/2" – 4"	Red PVDF ¹	FKM	S65TB-V	T65TB-V	F65TB-V
1/2" – 4"	Natural PVDF ¹	FKM	S66TB-V	T66TB-V	F66TB-V

1 No Kynar® PVDF pipe, fittings, or valves are offered in the 1 1/4" size.

Dimensions—Weights—Flow Coefficients

Valve Size ⁴	Profile						End-to-End					Fluid Flow Coefficient C _v ³
	A ¹	B	C	D	N	P	E Thd.	F Soc.	G Soc.	H Flgd.	Approx. ² Wt. Lbs.	
1/2	1.70	1.94	1.95	0.50	2.98	3.41	4.19	4.19	2.49	6.04	0.47	22
3/4	2.12	2.50	2.36	0.75	3.63	3.77	5.00	5.00	3.05	7.32	0.84	55
1	2.12	2.69	2.75	1.00	4.13	4.15	5.50	5.50	3.30	8.06	1.15	112
1 1/2	2.56	3.74	3.98	1.50	4.98	4.86	6.76	6.76	4.06	9.92	2.59	285
2	2.92	4.25	5.13	2.00	5.78	5.82	8.01	8.01	5.06	11.41	5.30	540
3	4.00	5.59	6.99	2.90	7.42	7.31	10.39	10.39	6.70	14.87	12.58	1348
4	8.00	6.05	8.54	3.95	8.52	8.70	12.22	12.22	7.78	17.52	24.41	2602

- 1 Handle is not symmetrical about the centerline. Dimension shown represents the longest operational radius, but the handle position must be rotated 180° from that shown for the 4" size.
 2 Weight shown represents the socket figure.
 3 C_v values were computed for the basic valve laying lengths (G).
 4 No pipe, fittings, or valves are offered in the 1 1/4" size.

Maximum Operating Pressure (psi vs. Temperature)

Operating Temperature (F)	PP		PVDF	Operating Temperature (F)	PP		PVDF	Operating Temperature (F)	PP		PVDF
	PP	PVDF			PP	PVDF			PP	PVDF	
100	150	150		150	93	140		200	N.R.	97	
110	140	150		160	80	133		250	N.R.	50	
120	130	150		170	70	125		280	N.R.	25	
130	118	150		180	60	115					
140	105	150		190	N.R.	106					

N.R. - Not recommended