

Series 500 Electric Actuators

ACTUATORS & CONTROLS

THE ELECTRIC SOLUTION

NIBCO Series 500 quality line of electric actuators are designed for quarter turn applications — ball, butterfly and plug valves; dampers; vents and similar uses. NIBCO actuators are manufactured in a wide range of output torques and operating speeds to fit your specific requirements.

The Series 500 actuators are designed for the entire mid-range of torques and operating speeds.

STANDARD FEATURES

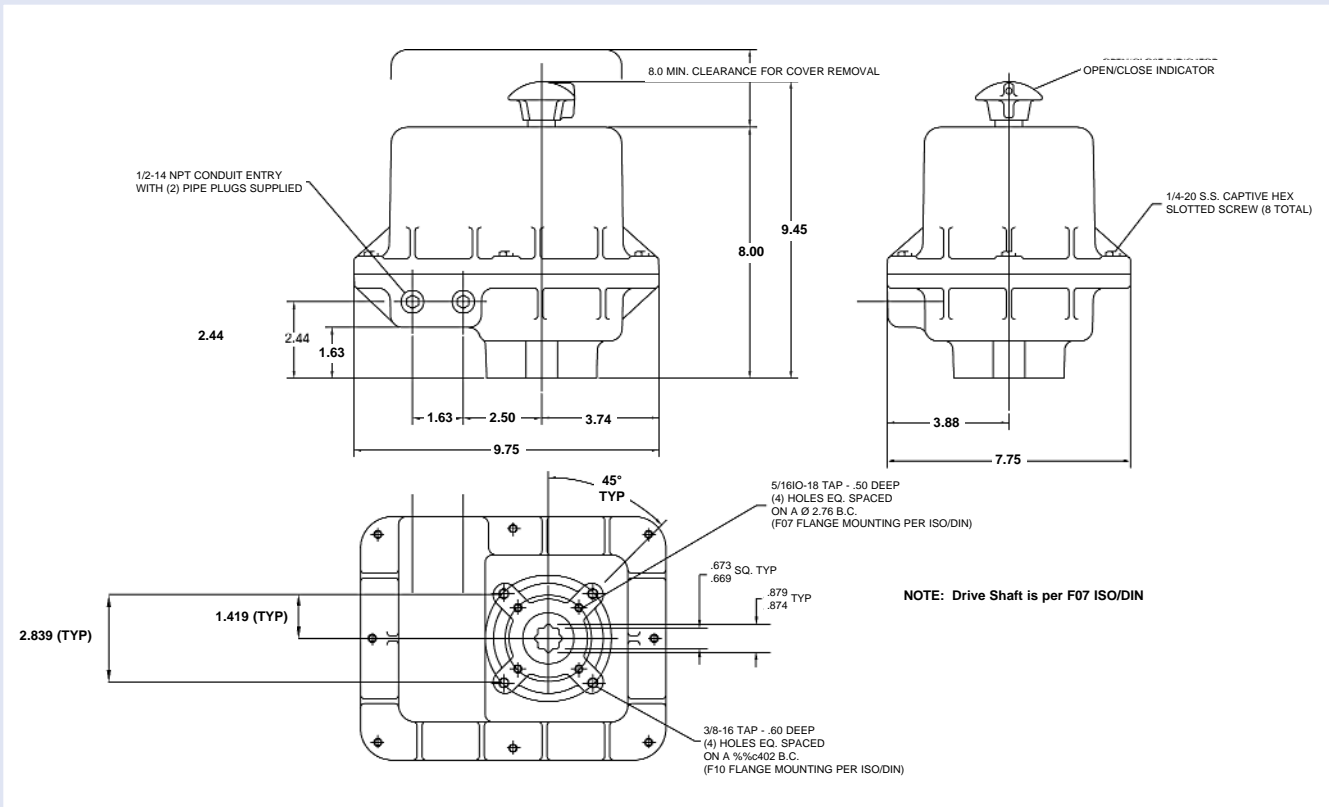
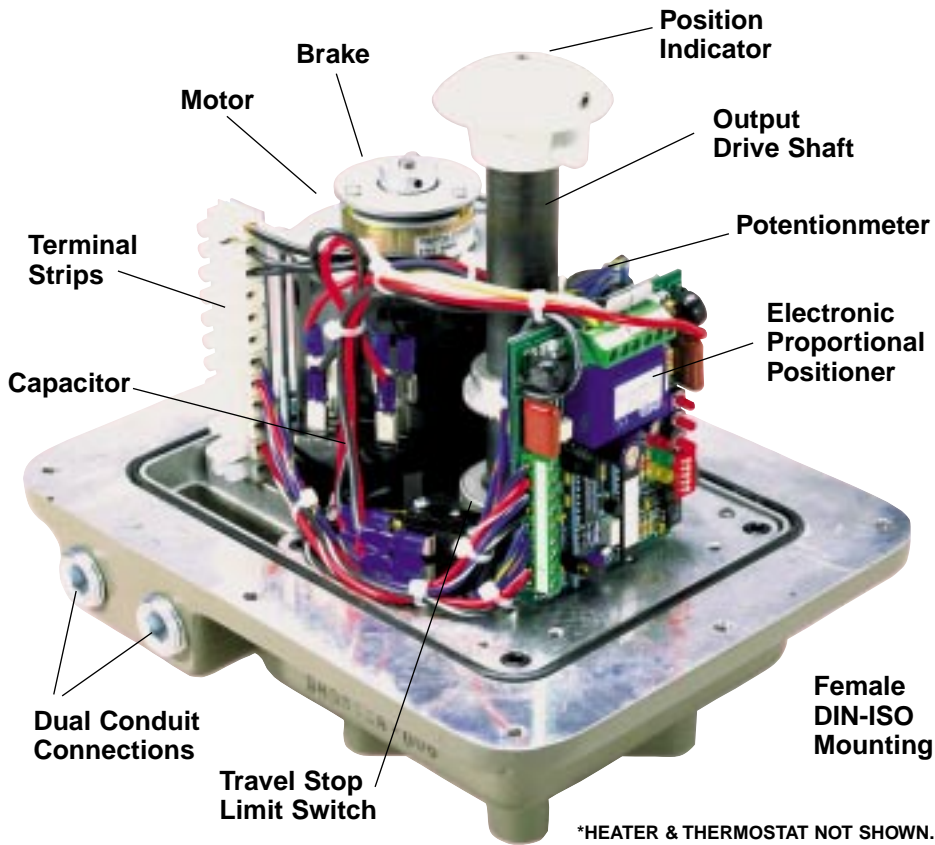
- Heater and thermostat installed in all actuators
- Case hardened steel spur gear train is permanently lubricated
- Case hardened steel drive shaft
- Operating temperatures:
-40° F with standard heater activated, to +140° F
- Single phase capacitor run motor with thermal overload protection
- Enclosure certified to Nema 4
- Dec clutchable manual override with position indicator
- Dual machined conduit entrances
- Captive slotted hex bolts on enclosure
- Operational in any mounting orientation
- Two single pole double throw end of travel micro switches with adjustable cams
- Female DIN/ISO F07 output drive and F07/F10 bolt pattern
- Weight: 17 to 18 lbs

OPTIONAL FEATURES

- Electro mechanical brake
- Standard 1K potentiometer, other ranges provided upon request
- Electronic proportional positioner
- Two wire control relay
- Optional voltages
220 VAC 50/60 Hz single phase
24 VDC
- Four single pole double throw auxiliary micro switches with adjustable cams
- Enclosure certified to NEMA 7



SERIES 500								
TORQUE		SPEED 90°	MODEL	LOCKED ROTOR AMP				MOTOR DUTY CYCLE
IN/IB	NM			115VAC	220VAC	12VDC	24VDC	
700	79	10 SEC	500-10-4	.67	.34	4.3A	5.0A	Extended
1600	181	30 SEC	500-30-4	.35	.43	4.3A	5.0A	Extended



NIBCO
AHEAD OF THE FLOW™

NIBCO INC.
WORLD HEADQUARTERS
WEB: www.nibco.com

1516 MIDDLEBURY STREET
ELKHART, IN 46516-4740
USA

DOMESTIC CUSTOMER SERVICE
PHONE: 800.234.0227
FAX: 800.234.0557

TECHNICAL SERVICE
PHONE: 888.446.4226
FAX: 888.336.4226

INTERNATIONAL OFFICE
PHONE: +1/574.295.3221
FAX: +1/574.295.3455