

Stainless Steel Ball Valves

Three-Piece Body • Threaded, Butt or Socket Weld Ends • Blowout-Proof Stem • Conventional Port • Enclosed Bolt Design • PTFE Seats • SS Trim • Cast ISO Mounting Pad • Vented Ball • Fire Safe

2000 PSI/138 bar non-shock cold working pressure*

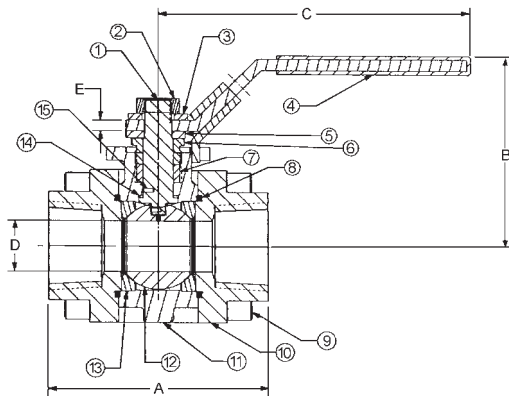
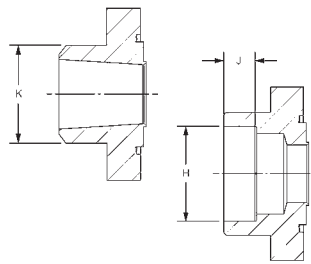
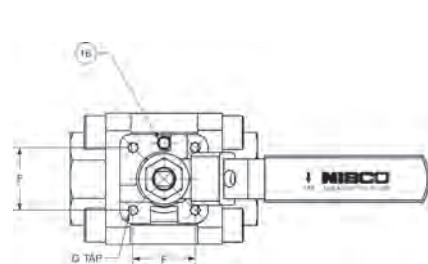
CONFORMS TO API-607 FOURTH EDITION FIRE SAFE •
MSS SP-110 • MSS SP-72 (BUTT WELD) •
API 608 ANTI-STATIC FEATURE

MATERIAL LIST

PART	SPECIFICATION
1. Stem	Stainless Steel ASTM A 276 Type 316
2. Handle Nut	Stainless Steel ASTM A 276 Type 304
3. Lock Washer	Stainless Steel ASTM A 240 Type 304
4. Locking Handle	Stainless Steel ASTM A 240 Type 304
5. Stop Plate	Stainless Steel ASTM A 240 Type 304
6. Pack Gland	Stainless Steel ASTM A 276 Type 316
7. Stem Packing	Graphite
8. Body End Seal	Graphite
9. Bolt	Stainless Steel ASTM A 193 B8 Type 304
10. ¹ Body End	Stainless Steel ASTM A 351 Type CF8M
11. Body	Stainless Steel ASTM A 351 Type CF8M
12. Ball (Vented)	Stainless Steel ASTM A 351 Type CF8M or ASTM A 276 Type 316
13. Seat	Reinforced PTFE 15% Glass
14. Thrust Washer	Reinforced PTFE 15% Glass
15. Static Grounding Device	Stainless Steel ASTM A 276 Type 304
16. Stop Pin	Stainless Steel ASTM A 276 Type 304

¹ Threaded connections: CF8M, weld connections: CF3M.

Note: valves are static grounded by two ball detents that ensure electro-continuity between the stem body and ball. The valve has electro-continuity across the discharge path with a resistance of not more than 10 ohms.



TM-590-S6-R-66-FS-LL

Threaded
ISO Mount Pad

KM-590-S6-R-66-FS-LL

Socket Weld
ISO Mount Pad

BM-590-S6-R-66-FS-LL

Butt Weld
ISO Mount Pad

DIMENSIONS—WEIGHTS—QUANTITIES

Dimensions

Size	A	B	C	D	E	F	G		H		J		K		Threaded		Socket		Butt	
							Thread	Flange	Socket	Socket	Butt	Weight	Weight	Weight	Weight	Weight	Weight			
In. mm.	In. mm.	In. mm.	In. mm.	In. mm.	In. mm.	In. mm.	Tap	Type	In. mm.	In. mm.	In. mm.	In. mm.	In. mm.	Lbs. Kg.	Lbs. Kg.	Lbs. Kg.	Lbs. Kg.	Lbs. Kg.	Lbs. Kg.	
½	15	2.72 69	2.47 63	4.07 103	.43 11	.12 3	1.00 25	M5	F03	.86 22	.38 10	.84 21	1.80 .82	1.70 .78	1.60 .73					
¾	20	2.94 75	2.70 69	4.07 103	.57 14	.12 3	1.00 25	M5	F03	1.08 27	.50 13	1.05 27	2.40 1.09	2.30 1.05	2.20 1.00					
1	25	3.50 89	3.19 81	4.92 125	.81 21	.18 5	1.17 30	M5	F04	1.34 34	.50 13	1.32 34	3.80 1.73	3.60 1.64	3.50 1.59					
1¼	32	3.90 99	3.64 92	5.91 150	.98 25	.20 5	1.17 30	M5	F04	1.69 43	.50 13	1.66 42	5.90 2.68	5.70 2.59	5.60 2.55					
1½	40	4.42 112	3.88 99	7.68 195	1.25 32	.23 8	1.39 35	M6	F05	1.93 49	.50 13	1.90 48	7.60 3.45	7.40 3.36	7.30 1.61					
2	50	5.04 128	4.09 104	7.68 195	1.50 38	.23 8	1.39 35	M6	F05	2.42 61	.62 16	2.38 60	10.50 4.77	10.30 4.68	10.20 4.64					

◆ For detailed operating pressure, refer to pressure temperature chart on pages 71 and 72.

Visit our website for the most current information.