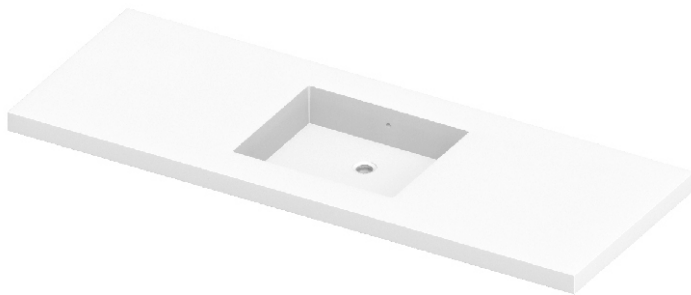


SLAB Countertop 2"



Model Shown: 9118-61-CTR-H0

61" Countertop with Integrated Basin Centered on Deck, No Faucet Drilling

- **SOLID SURFACE COUNTERTOP WITH INTEGRATED BASIN**
- **ENTIRELY CASTED IN ONE-PIECE OF SOLID SURFACE OPAQUE POLYMER RESIN**
- **INTEGRAL BASIN 17" X 14" X 4" DEPTH IS CENTERED ON DECK STANDARD**
- **INTEGRATED OVERFLOW WASTE OUTLET**
- **MATERIAL OF CONSTRUCTION IS FLAME SPREAD AND SMOKE DEVELOPED RATED "CLASS A" PER THE FOLLOWING STANDARDS:**

**ASTM E84-10
UL723
ANSI/NFPA No. 255
UBC No. 8-1**

MATERIAL ALSO COMPLIES WITH CANADIAN REQUIREMENTS CANULC-S102 FOR FLAME SPREAD AND SMOKE DEVELOPED.

- **MATERIAL OF CONSTRUCTIONS PHYSICAL PROPRIETIES IN COMPLIANCE WITH:**

**CSA B45.5/IIAPMO Z124
ANSI/ICPA SS-1**

DESCRIPTION	MODEL/OPTION #
A ORIENTATION - Required Selection INIT. <input type="text"/>	
<input type="checkbox"/> 25" SLAB Countertop 25" Length x 22" Width x 2" Height	9118-25
<input type="checkbox"/> 31" SLAB Countertop 31" Length x 22" Width x 2" Height	9118-31
<input type="checkbox"/> 37" SLAB Countertop 37" Length x 22" Width x 2" Height	9118-37
<input type="checkbox"/> 49" SLAB Countertop 49" Length x 22" Width x 2" Height	9118-49
<input type="checkbox"/> 61" SLAB Countertop 61" Length x 22" Width x 2" Height	9118-61
<input type="checkbox"/> 72" SLAB Countertop 72" Length x 22" Width x 2" Height	9118-72

Add (+) B SOLID SURFACE COLOR - Required Selection INIT.

Corterra® Solid Surface Color

Color: _____
(Refer to <https://www.neo-metro.com/luxury-solid-surface> for available colors)

Add (+) C BASIN SELECTION - Required Selection INIT.

- Square Basin** -BBSQ
14" L x 14" W x 4" H Basin (356 x 356 x 102 mm)
- Oval Basin** -BBOV
14" L x 17" W Basin (356 x 432 mm)
- Round Basin** -BBRD
Ø16" Basin (Ø 406 mm)
- Ramp Basin** -BBRA
14" L x 17" W Basin (356 x 432 mm)
- Rectangular Basin** -3676
33" x 14" Basin (-DBL Not Available) (838 x 356 x 102 mm)

Overflow Waste is Built-in
Specify Plate Finish:
 Satin (Standard) High Polish

REQUIRED

Please indicate location of basin:

<input type="checkbox"/> -LH Left Offset	<input type="checkbox"/> -CTR Centered
<input type="checkbox"/> -RH Right Offset	<input type="checkbox"/> -DBL Double Basin (49" or Greater)

Add (+) D FAUCET CONFIG. - Optional Selection INIT.

- No Faucet Hole** - H0
For wall mounted faucet
- Single Hole** - H1
Ø1-5/16" Centered Hole
- 6" Centerset** -H36
(152 mm)
- 8" Centerset** -H38
(203 mm)

Customer is required to submit Faucet Spec Sheet to confirm compatibility with Neo-Metro's faucet drilling.



Member of
U.S. Green
Building
Council



Recyclable
Product

SLAB Countertop 2"

PRODUCT Specification . . . The Slab Countertop is a one-piece, solid surface Deck with an integral Basin.

The unit is casted in a solid surface, opaque, polymer resin solid surface material. The durable Deck is resistant to cracking and has excellent thermal shock performance.

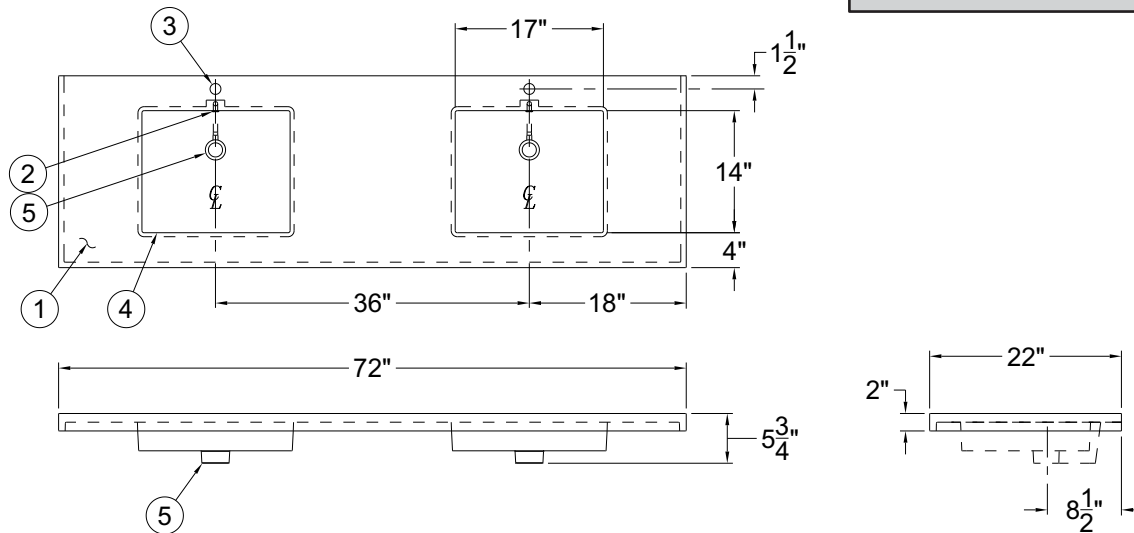
The Integral Basin, 14" x 17" x 4" depth (356 x 432 x 102 mm), can be placed on either left (-LH) or right (-RH) side of a 34" (864 mm) Counter space. Left or right is in the orientation of the user facing the Deck. A dual (-DBL) configuration feature two Basins. The Drains will be configured 30" (762 mm) apart.

Standard 1-5/16" Drain hole is provided to accommodate any drain assembly with overflow (drain and P-trap not included).

An Overflow Waste Channel is also integrated in the casted Basin(s), draining into the Drain assembly. A Satin Finish stainless steel Cover is provided. High Polish Cover may also be specified.

Faucets are not supplied but 1-5/16" (33.3 mm) holes can be drilled in a pre-configured single-hole (-H1), 6-inch (152 mm) centerset (-H36), 8-inch (203 mm) centerset (-H38) and a No Hole option (-H0), typically for wall mounted Faucets. Neo-Metro requires customers to submit specification sheet of Faucet to confirm compatibility. Custom Faucet configurations may be specified by submitting a completed and signed Faucet Drilling Worksheet. Neo-Metro stainless steel commercial faucets are available and sold separately.

Neo-Metro assumes no responsibility for use of void or suspended data. All dimensions are nominal and subject to manufacturer change without notice.



- ① MODIFIED COUNTER LAV FOR CABINET, BY OTHERS
- ② -OF OVERFLOW
- ③ Ø1-5/16" HOLE FOR FAUCET BY OTHERS
- ④ INTEGRAL BASIN, 14" X 18" X 5"
- ⑤ WASTE OPENING INTENDED FOR 1-1/4" NOMINAL OUTLET PROVIDED FOR WASTE ASSEMBLY

APPROVAL FOR MANUFACTURE

COMPANY: _____

PROJECT NAME: _____

SIGNEE'S NAME WRITTEN CLEARLY: _____

DATE: _____

AUTHORIZED SIGNATURE: _____

⚠ WARNING: Cancer and Reproductive Harm - www.P65Warnings.ca.gov