

**Features**

- Solid brass construction
- Soft touch air activated
- 6’ supply air hose
- U/L listed 120VAC -15 amp indoor use only outlet adapter
- 15/16” (2.4 cm) trim height
- 2-1/16” (5.2 cm) trim square
- Complements Adams Series

**Air Activated Disposer Switch Kit**

**3170-5811**

**Also 20-381**



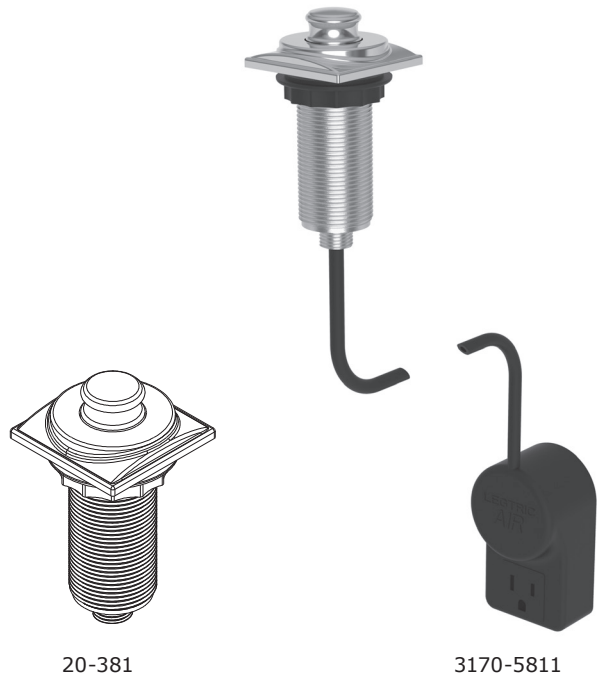
**Codes / Standards Compliance**

Meets or exceeds the following at date of manufacture:

- U/L
- All applicable US Federal and State material regulations

**Colors / Finishes**

- 10B: Oil Rubbed Bronze
- 15: Polished Nickel
- 15S: Satin Nickel - PVD
- 26: Polished Chrome
- Other: Refer to the Newport Brass catalog for additional color/finish options.



**Specified Model**

Model	Description	Colors   Finishes				
3170-5811	Air Activated Disposer Switch Kit	<input type="checkbox"/> 10B	<input type="checkbox"/> 15	<input type="checkbox"/> 15S	<input type="checkbox"/> 26	<input type="checkbox"/> Other
20-381	Air Activated Disposer Switch Trim	<input type="checkbox"/> 10B	<input type="checkbox"/> 15	<input type="checkbox"/> 15S	<input type="checkbox"/> 26	<input type="checkbox"/> Other

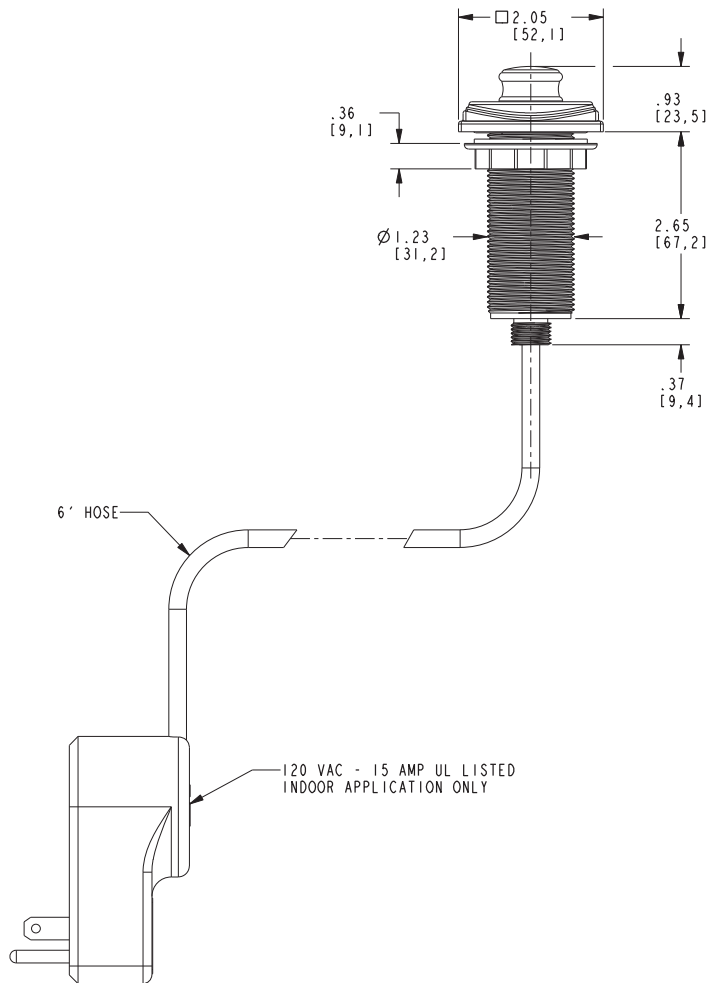
\* Note: Requires 1-1/4” to 1-11/16” through hole. Accommodates 2-1/4” maximum deck thickness.

**Product Specification** Add “Color / Finish” suffix to Model number, below.

Air Activated Disposer Switch trim shall be made of solid brass construction. Air Activated Disposer Switch shall include 6’ of supply air hose. Air Activated Disposer Switch shall include U/L listed 120VAC -15 amp indoor use only outlet adapter. Air Activated Disposer Switch shall be Newport Brass Model 3170-5811/\_\_\_\_ .

# 3170-5811

## PRODUCT DIMENSIONS *(Units are in inches)*



### Newport Kitchen Air Activated Disposer Switch Kit 3170-5811