

CHESTERFIELD

Features

- Solid brass construction
- Bridge-style brass valve bodies
- Quarter-turn washerless ceramic disc valve cartridges
- Swivel spout assembly
- 6.38" (16.2 cm) spout height at outlet
- 9.46" (24.0 cm) spout reach (c-c)
- For 8.00" (20.3 cm) centers
- 1.8 gallons (6.8 liters) per minute maximum flow rate
- ADA Compliant
- 1.8 GPM (6.8 LPM) Max

Codes / Standards Compliance

Meets or exceeds the following at date of manufacture:

- ASME A112.18.1/CSA B125.1
- IAMPO/cUPC
- NSF/ANSI 61, SECTION 9
- NSF/ANSI 372
- IPC
- ADA & ICC/ANSI A117.1
- Energy Policy Act of 1992
- California Energy Commission
- All applicable US Federal and State material regulation

Colors / Finishes

- 10B: Oil Rubbed Bronze
 - 15: Polished Nickel
 - 15S: Satin Nickel - PVD
 - 26: Polished Chrome
- Other: Refer to the Newport Brass catalog for additional color/finish options.

Bridge Style Kitchen Faucet

9461



Specified Model

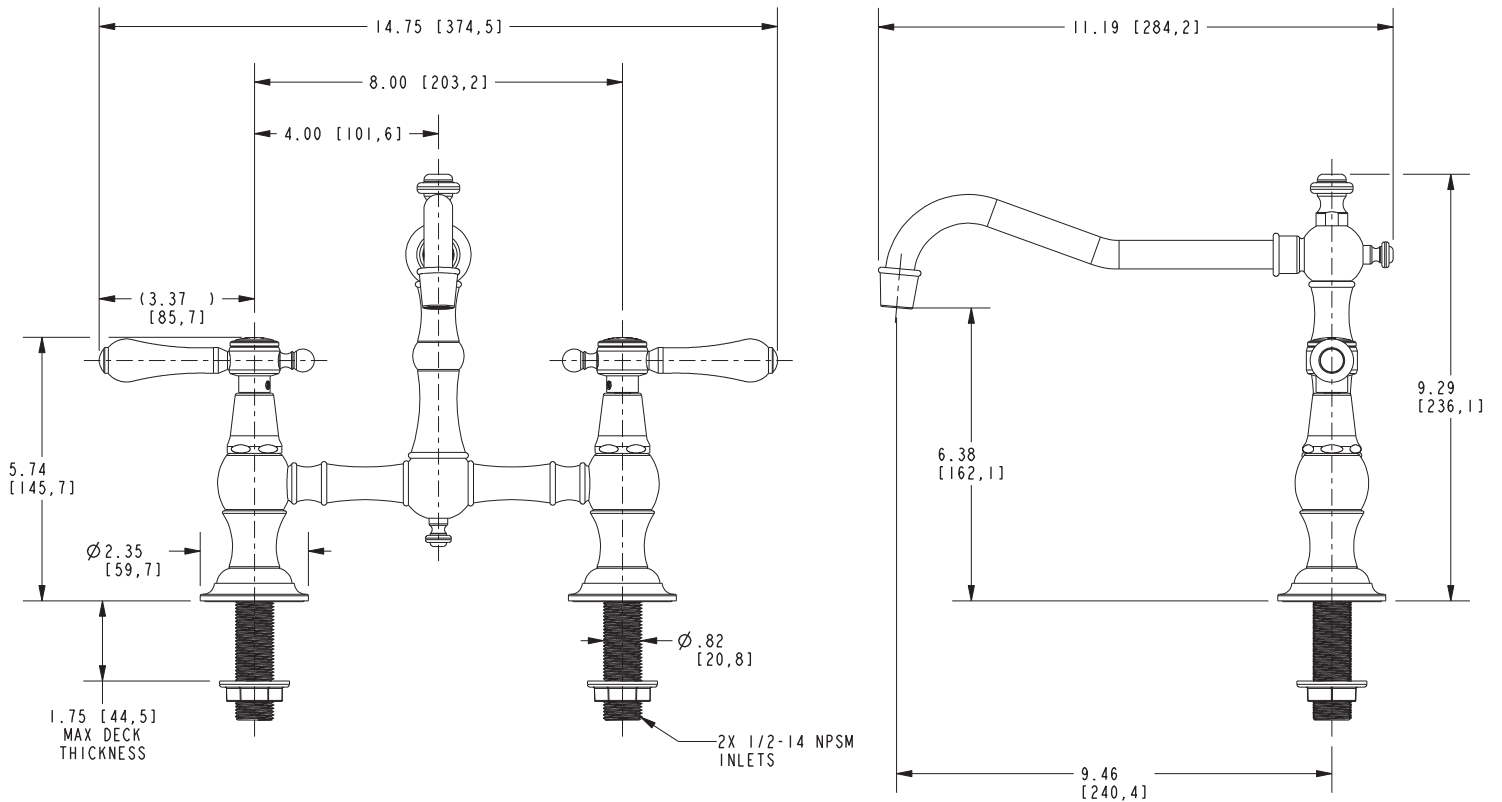
Model	Description	Colors Finishes
9461	Bridge Style Kitchen Faucet	<input type="checkbox"/> 10B <input type="checkbox"/> 15 <input type="checkbox"/> 15S <input type="checkbox"/> 26 <input type="checkbox"/> Other

Product Specification Add "Color / Finish" suffix to Model number, below.

The Bridge Style Kitchen Faucet shall be made of solid brass construction. Faucet shall incorporate a swivel spout assembly and feature bridge-style brass valve bodies with quarter-turn washerless ceramic disc valve cartridges. Faucet shall have a 1.8 gallons (6.8 liters) per minute maximum flow rate. Product shall be for 8.00" (20.3 cm) centers. Product shall incorporate a 6.38" (16.2 cm) spout height at outlet and a 9.46" (24.0 cm) spout reach (c-c). Faucet shall incorporate traditional lever handles. Bridge-Style Kitchen Faucet shall be Newport Brass Model 9461/_____.

9461

PRODUCT DIMENSIONS *(Units are in inches)*



Chesterfield Bridge Style Kitchen Faucet 9461