

**Wall Mounted Tub Trim**  
**3-2485**

**Features**

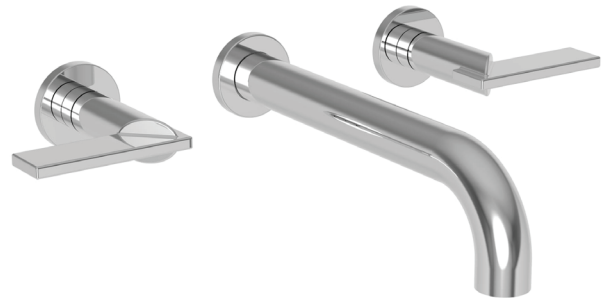
- Solid brass construction
- ADA compliant contemporary lever handles
- 9-1/8" (23.2 cm) spout length
- 1/2" NPT spout inlet fitting
- Intended for use with Newport Brass rough valve as specified (Required Accessory)
- Rough valve incorporates a brass valve body assembly
- Rough valve incorporates quarter-turn washerless ceramic disc valve cartridges



**Codes / Standards Compliance**

Meets or exceeds the following at date of manufacture:

- ASME A112.18.1/CSA B125.1
- IAPMO/cUPC
- IPC
- ADA
- ICC/ANSI A117.1
- All applicable US Federal and State material regulations



**Colors / Finishes**

- 10B: Oil Rubbed Bronze
  - 15: Polished Nickel
  - 15S: Satin Nickel - PVD
  - 26: Polished Chrome
- Other: Refer to the Newport Brass catalog for additional color/finish options.

**Specified Model**

Model	Description	Colors   Finishes
3-2485	Wall Mounted Tub Trim	<input type="checkbox"/> 10B <input type="checkbox"/> 15 <input type="checkbox"/> 15S <input type="checkbox"/> 26


**Product Specification:** Add size designator and "Color / Finish" suffix to Model number, below.

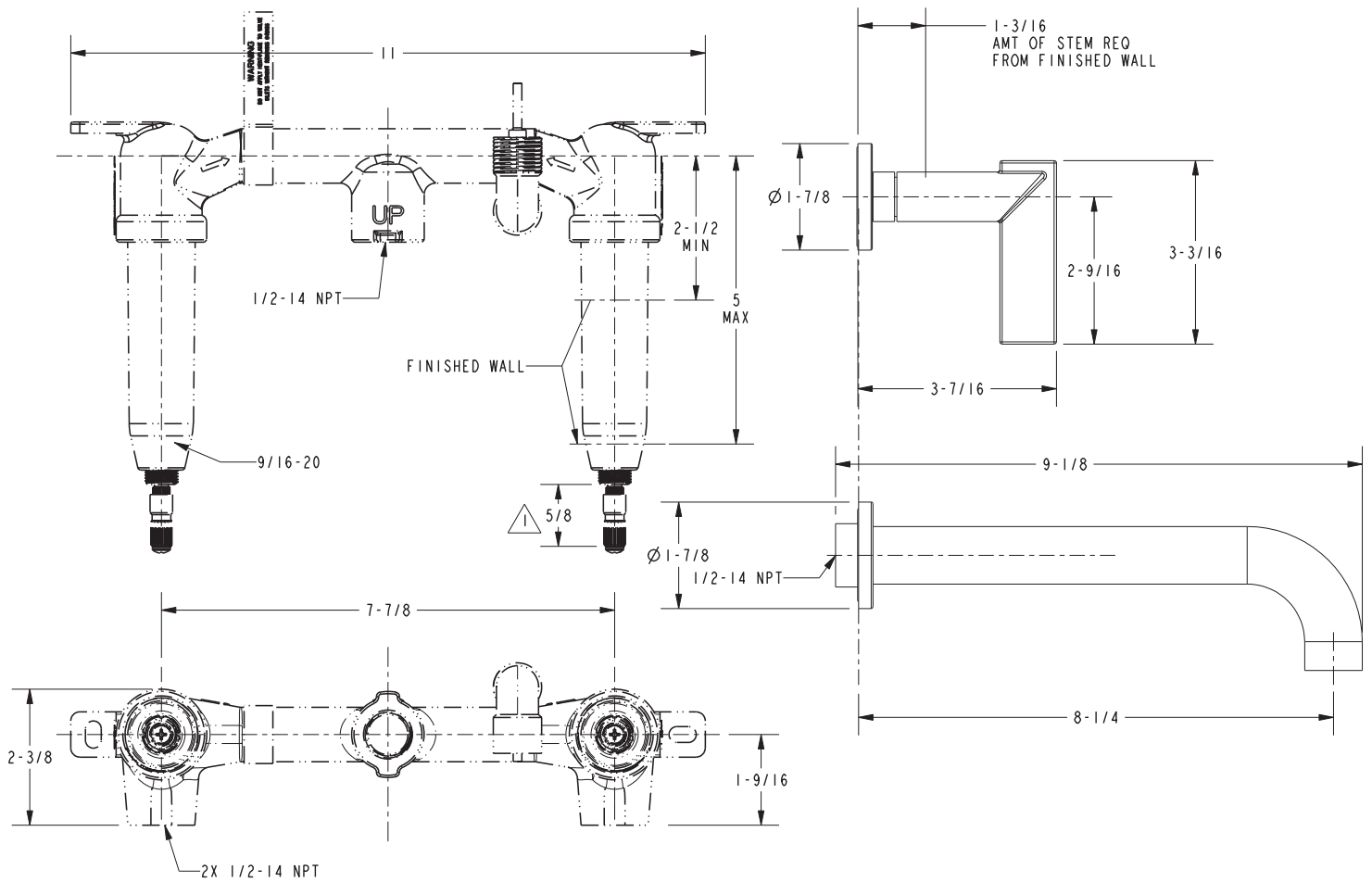
The Wall-Mounted Tub Trim shall be made of solid brass construction. Wall-Mounted Tub Trim shall include ADA compliant lever handles and a 9-1/8" (23.2 cm) tub spout that incorporates a 1/2" NPT inlet fitting. Wall-Mounted Tub Trim shall be Newport Brass Model 3-2485/\_\_\_\_ and Newport Brass rough valve shall be 1-500.

# 3-2485

## PRODUCT DIMENSIONS *(Units are in inches)*

NOTES:

 CUT ALL THREADS 5/8" SHORTER THAN STEM



### Priya Wall Mounted Tub Trim 3-2485