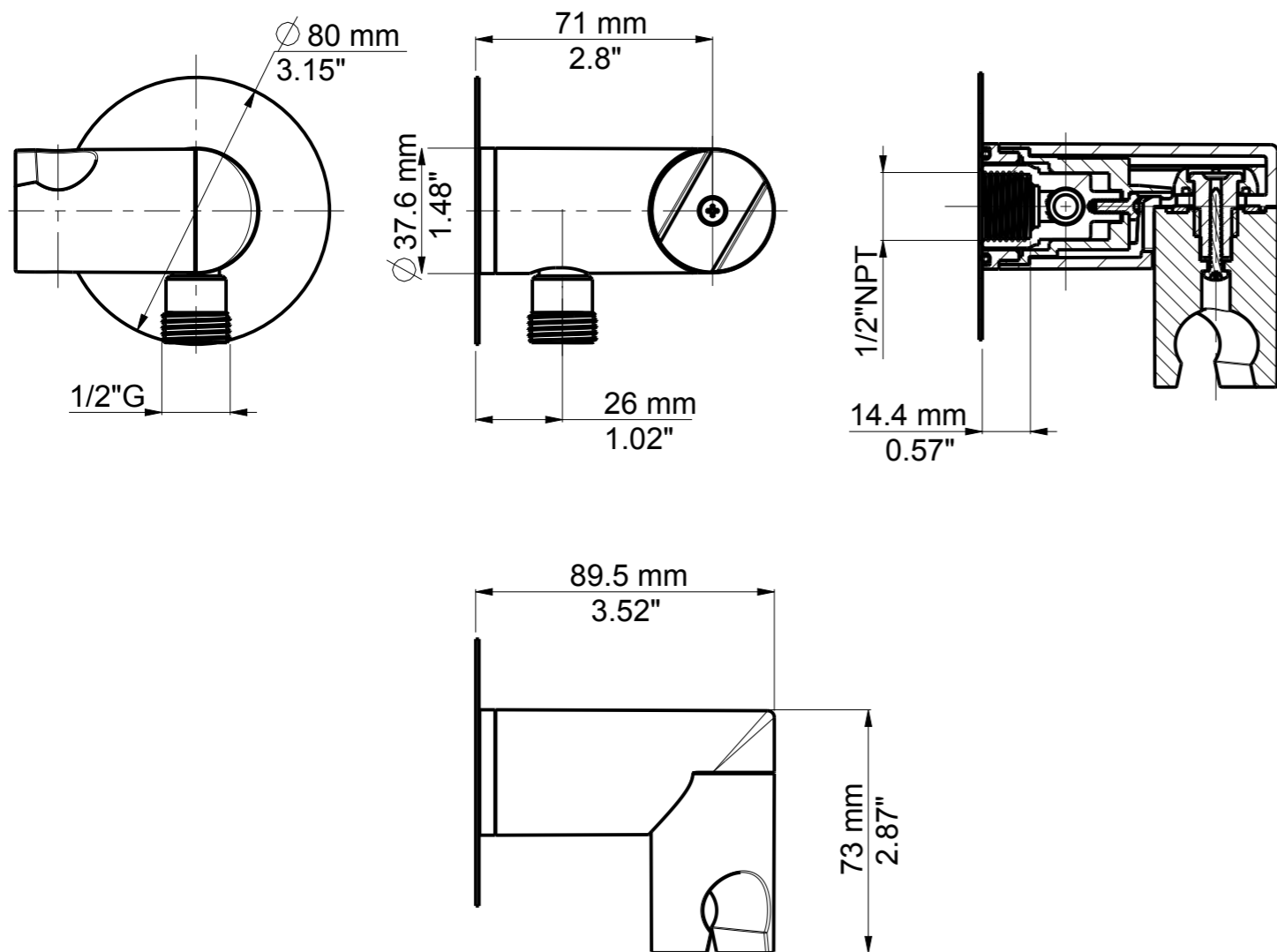


SCALA 1:2



| Pos. | DESCRIZIONE / DESCRIPTION | Q.ty | MATERIALE / MATERIAL | DISEGNO / DRAWING | NOTE |
|------|---|------|----------------------|-------------------|------------|
| 13 | Escutcheon | 1 | STAINLESS STEEL | 03 1224 | C09-D80x22 |
| 12 | Adapter Wall Bracket Swivel Elbow - F | 1 | ABS - CHROME | 01 1191 | - |
| 11 | ORing \varnothing 28.42x2.62 | 1 | NBR | 02 0007 | - |
| 10 | Screw M4x10 DIN 7985 A | 1 | STAINLESS STEEL | 03 1124 | J99970058 |
| 9 | Nipple Flex Wall Bracket Swivel Elbow | 1 | BRASS - CHROME | 03 1270 | J99940105 |
| 8 | Screw TC 3.9x25 | 1 | STAINLESS STEEL | 03 0717 | J99970024 |
| 7 | Bracket Techno Fresh | 1 | ABS - CHROME | 01 0760 | JD7550105 |
| 6 | Washer mechasim slide Fresh | 1 | POM | 01 0767 | JD75502 |
| 5 | Cover Wall Bracket Swivel Elbow | 1 | ABS - CHROME | 01 1142 | JA29720105 |
| 4 | ORing \varnothing 8.73x1.78 | 1 | NBR | 02 0007 | 99980003 |
| 3 | Pin x sidebar Fresh | 1 | POM | 01 0765 | H1026 |
| 2 | Support Wall Bracket Swivel Elbow | 1 | POM | 01 0920 | JA297202 |
| 1 | Wall Fixation Wall Bracket Swivel Elbow - F NPT | 1 | BRASS | 03 1299 | - |

| N° | MODIFICA - MODIFICATION | Data - Date | Firma - Sign | Sostituisce - Replace |
|----|-------------------------|-------------|--------------|-----------------------|
| | | | | |

| DENOMINAZIONE - DESCRIPTION | SPECIFICHE - NOTE |
|---|-------------------|
| WALL ELBOW BRACKET SWIVEL TECHNO - F - NPT CR | - Escutcheon |

| DISEGNO DRAWING | CODICE ITEM |
|------------------|-------------|
| 80 0508.00.00.00 | 2972N05N |

| Data - Date | DISEGNATO DRAW | CONTROLLATO CHECK | PESO (g) WEIGHT (g) |
|--|----------------|-------------------|---------------------|
| | 21/12/15 | Beschi F. | Turrini A. |
| DIR./FILE 80_0508_WALL_EL_BRACK_SW_F_NPT | | | |
| UFFICIO TECNICO NIKLES TEC ITALIA USO RISERVATO CONFIDENZIALE VIETATA LA RIPRODUZIONE COPYRIGHT NIKLES TEC ITALIA | | | |

NIKLES
 NIKLES TEC ITALIA s.r.l.
 Z.I. Cornali
 via A. Volta n° 2
 25013 Carpenedolo - BRESCIA
 Telefono 030-9698716
 Fax 030-9966505
 www.nikles.com