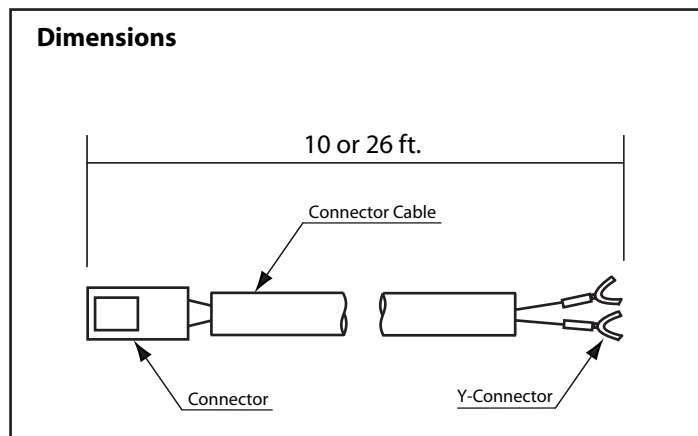


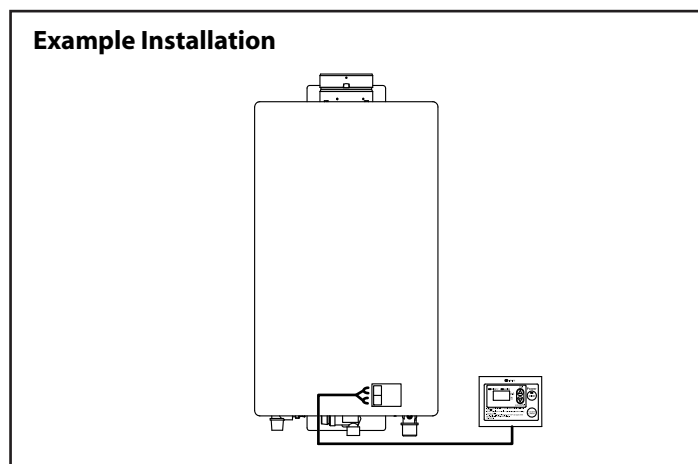
## Tankless Water Heater Accessories Specification Sheet **Remote Controller Cord**

- Fully insulated cord with the proper connectors for a simple installation with Noritz tankless water heaters
- Available in 10' or 26' length that can accommodate for any convenient location for the Remote Controller
- Comes included with most models (except for NR50, NR66 Series, NR71 Series, NR98-DVC, and NC199-DVC models)\*



- Remote Controller Cord**
- 10' length (#RC-CORD10)
  - 26' length (#RC-CORD26)

- Models Compatible with Remote Controller Cord (RC-CORD)**
- |              |               |
|--------------|---------------|
| NR50 Series  | NCC199 Series |
| NR66 Series  | NRC111 Series |
| NR71 Series  | NR111 Series  |
| NR98 Series  | NC250 Series  |
| NC199 Series | NC380 Series  |
| NRC98 Series |               |



\* Additional Remote Controller Cords will be necessary for NC199-DVC and NC199-OD models within a Multi-System when used with a SC-201-6M-EXT System Controller.