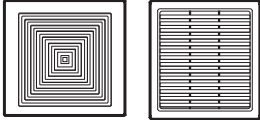
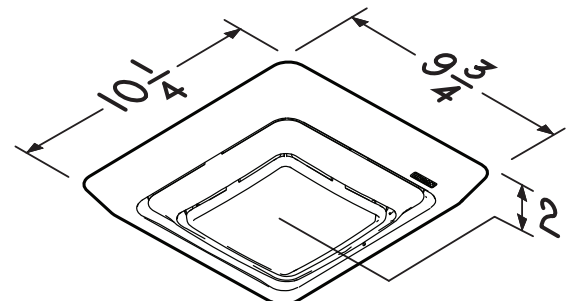


The fastest bath fan upgrade - turns a non-lighted bath fan into a beautiful LED lighted unit.

FEATURES	
Design	Low-profile. Fewer vent slots to clean. Stays cleaner longer.
Fits Broan and NuTone fans with grilles shown	
Color	Bright white. Coordinates with most white ceiling paint.
Lighting	Soft LED illuminates darker areas of the bathroom.
Installation	DIY retrofit hides existing drywall cuts.
Average install time	5 minutes
Grille springs	Includes two sets of springs - allows use with multiple models.
LIGHTING SPECIFICATIONS	
Lumens	750
Correlated Color Temperature (CCT)	3000K
Color Rendering Index (CRI)	80
Efficacy (lumens/Watt)	50
Rated Life	25,000 hours
Dimming Compatible	No
ELECTRICAL SPECIFICATIONS	
Volts	120 VAC
Hertz	60 Hz
Amps	0.15 A (Add to fan Amps for total current draw.)
Safety Tested	For use in USA (UL File No. E17814) U.L. Listed for use over bathtubs and showers when connected to a GFCI protected branch circuit.
FOR USE ONLY WITH THESE FAN MODELS	
ABC Co. NCF80, Acme VQ50, VQ80, American Coolair CF670A1151, CF684A1151, Broan 576, 670, 671, 674, 676, 678, 679, 680, 683, 684, 688, 689, 770, 771, 784, 679L, 683C, 683L, E050, E070, ED50L, HD50, HD50L, HD80, HD80L, Carnes VCDD005C, VCDD008C, Fantech 6CEV005A, 6CEV008A, Greenheck SP-C50, Jenn Fan FF50, FF50E, FF80, Nautilus N671, N676, N678, N679, N680, N688, NuTone 695, 763, 6950, 50NT, 684NT, 696N, 696NO, 763N, 763NC, 80NT, 80NTE, HD50LNT, HD50NT, HD80LNT, HD80NT, Penn Z1, ZL1, ZL2, Twin City T050, T080, US Fan Intl UVQ50, UVQ80 Does not work with fans with attached decorative lighting fixtures.	
WARRANTY	
1-year See www.broan-nutone.com for full warranty text.	



Dimensions shown in inches.

Compatible with existing fan housing dimension of 7½" x 7¼" and 8¼" x 8". See chart above for specific models.

SPECIFICATION SHEET
LED GRILLE UPGRADE - FG600

