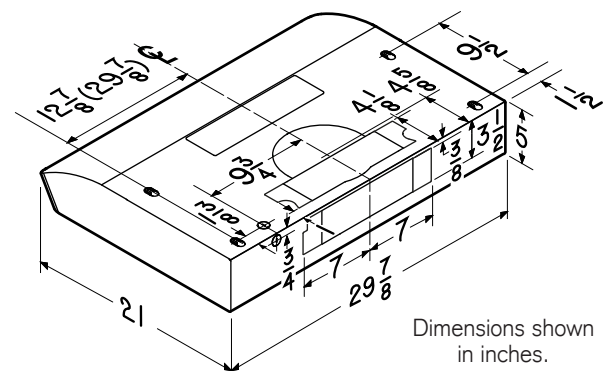


The slim curves of Mantra are the perfect complement to today's modern kitchens. Advanced features, like LED lighting and 2 fan speeds make operation enjoyable. The LED lighting included with this hood is specially designed to operate in the elevated temperatures of cooking – offering bright even lighting over the cooktop.

SIZE	STAINLESS	GREASE FILTERS (replacement)	NON-DUCTED FILTERS
30 in.	AVSC130SS	HPFA130 (Type C1)	HPF30 (Type Xc)

FEATURES	
Max. Blower CFM*	375
Control type	2-speed Rocker
Delay off	no
Filter Clean Reminder	no
Heat Sentry™	no
ADA Capable	yes
Lighting	1-level LED (included)
Grease Filters	Open Mesh (Qty. 2)
Installation Hardware	EZ1 brackets
ENERGY STAR®	no
Recirculation	Non-ducted filters sold separately
AC INPUT	
120 V, 60 Hz - 0.65 AMPS	
OPTIONAL ACCESSORIES	
7-in. Round Damper	BP87Q
Make-up Air Dampers	MD6TU, MD8TU and MD10TU
MOUNTING HEIGHT	
18 in. to 24 in. from cooktop to bottom of hood	
LIMITED WARRANTY	
1-year	
3-year (LED modules only)	
<i>See installation manual for full warranty text.</i>	
FOR INDOOR USE ONLY	

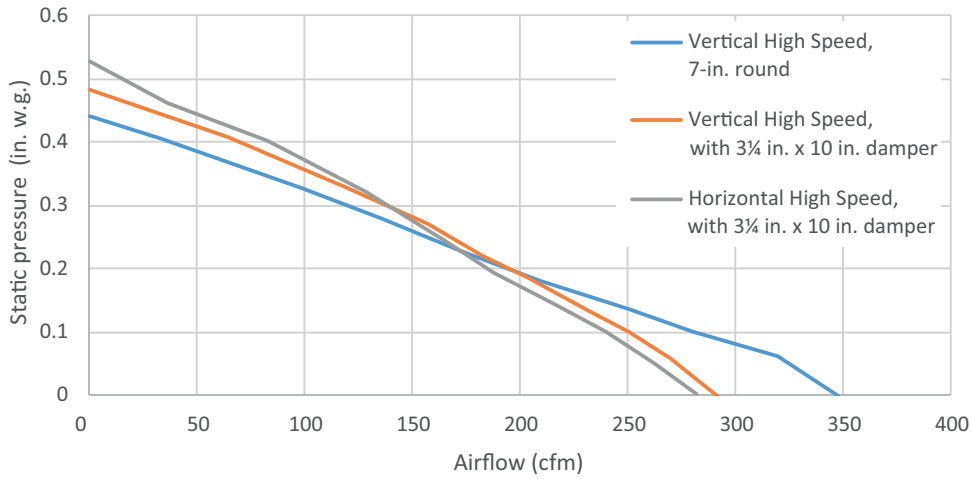


Dimensions shown in inches.

\* Max. blower CFM indicates the performance of the hood blower in open air and is not HVI certified.



HVI PERFORMANCE							
Duct Orientation	Size	Damper	Sones		CFM		
			Normal	High	Normal	High 0.25 in. w.g.	High 0.1 in. w.g.
Vertical - Rectangular	3¼ in. x 10 in.	Included	1.5	5.5	130	160	250
Horizontal - Rectangular	3¼ in. x 10 in.	Included	1.5	6.0	110	160	240
Round - Vertical	7 in.	Sold Separately	1.5	5.5	140	150	280



HVI-2100 CERTIFIED RATINGS comply with new testing technologies and procedures prescribed by the Home Ventilating Institute, for off-the-shelf products, as they are available to consumers. Product performance is rated at 0.1 and 0.25 in. static pressure at high speed based on tests conducted in an HVI-approved state-of-the-art test laboratory. Sones are a measure of humanly-perceived loudness, based on laboratory measurements.