



OLYMPIA FAUCETS, INC.
3325 S. Garfield Ave.
Commerce, CA 90040
(888) 772-7701
www.olympiafaucets.com

INSTALLATION

Tools:



Adjustable Wrench



Flat Head Screwdriver



Plumbers Putty



Teflon Tape



Rags

Model Number: D-820T



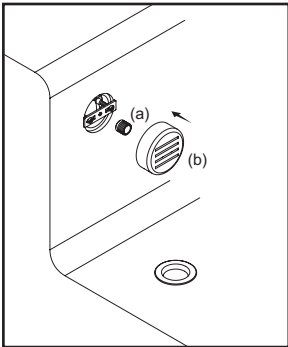
Warnings and Notes:

Check with local plumbing code requirements before installation.
This product should be installed by a local listed plumber.

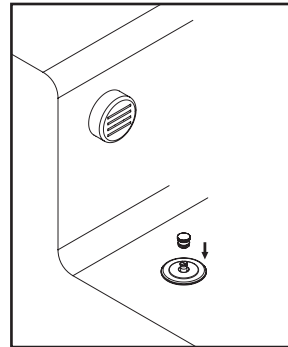
Do not use plumbers putty on threads.

Installation Steps:

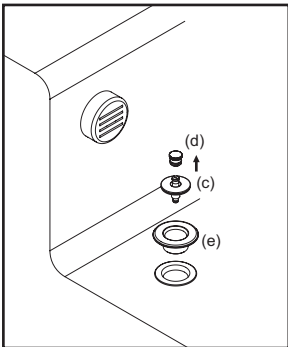
Push-Pull Bath Drain



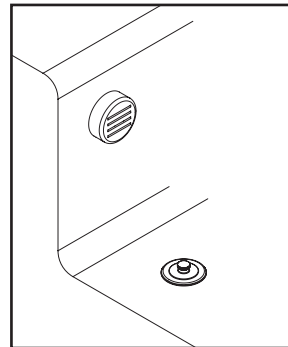
(1) For OP-440064 – thread & secure the adapter (a) onto center hole of horizontal bar. Apply about 10 Kg or 22 lbf of force on the overflow cap (b) to attach the thread inside onto the adapter thread. Have the bottom opening face down for optimal drain performance. Before overflow cap is fully pushed in, make sure the ribs inside the overflow cap align with the horizontal bar to prevent the cap from rotating. For items X-6400032 and X-6400033 be sure to align the holes of the respected face plate onto the horizontal bar and use the provided screws to attach the face plate to the horizontal bar.



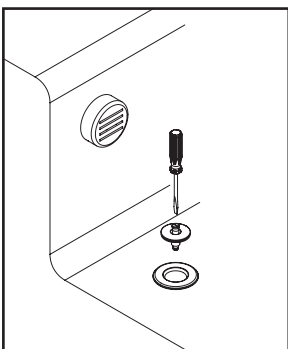
(4) Hold push & pull knob (d) to turn clockwise to attach onto stopper (c) until tightened. Do not over tighten.



(2) For item OP-440065, Hold the push & pull knob (d) and turn counter-clockwise to detach from stopper (c). Plug (e), for -BN, -MB, & -ORB finishes only, onto the chrome strainer at the bottom of the tub.



(5) Test to see if overflow cap is staying firmly on the adapter. Pull and push the strainer group for functionality.

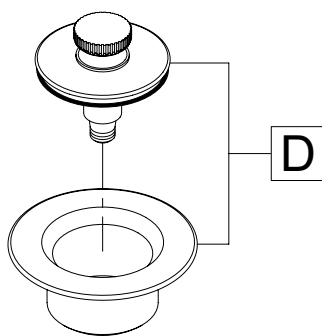
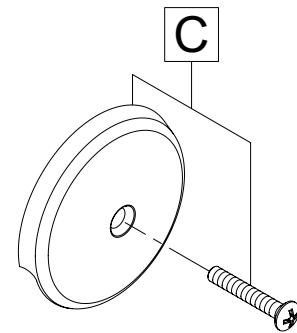
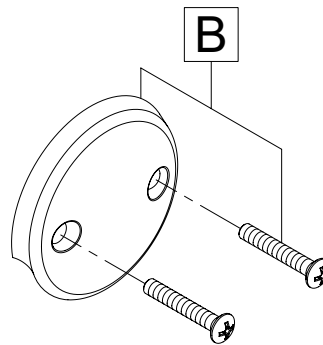
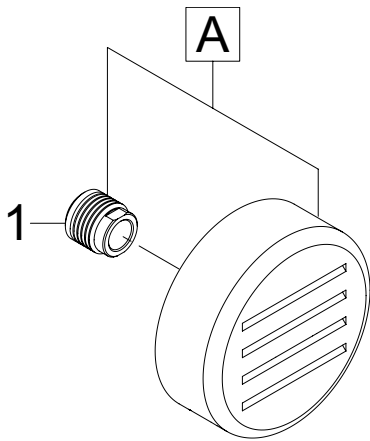


(3) Use a flat head screw driver and turn clockwise to attach the stopper onto the strainer at the bottom of the tub until tightened. Do not over tighten.

Exploded Drawing:

* Note: Please specify finish/color when ordering.

	ITEM #	DESCRIPTION
A	OP-440064*	OVERFLOW CAP (For D-820T)
B	X-6400032*	2-HOLE FACE PLATE W/SCREWS (For D-820TT)
C	X-6400033*	1-HOLE FACE PLATE W/SCREW (For D-820TE)
D	OP-440065*	PUSH & PULL STRAINER GROUP
1	OP-440066	Adapter



For more care information or trouble shooting inquiries
about your Olympia product, Please call:
OLYMPIA FAUCETS, INC. (888) 772-7701
Monday-Friday 8 AM to 8 PM EST (5 AM to 5 PM PST)
www.olympiafaucets.com