



**OLYMPIA FAUCETS, INC.**  
3325 S. Garfield Ave.  
Commerce, CA 90040  
(888) 772-7701  
www.olympiafaucets.com

# INSTALLATION

## Tools:



Adjustable Wrench



Plumbers Putty



Teflon Tape



Rags

**Model Number:** T-230X, T-231X, T-233X, T-234X  
T-235X, T-236X, T-237X, T-238X, T-239X, T-2391X

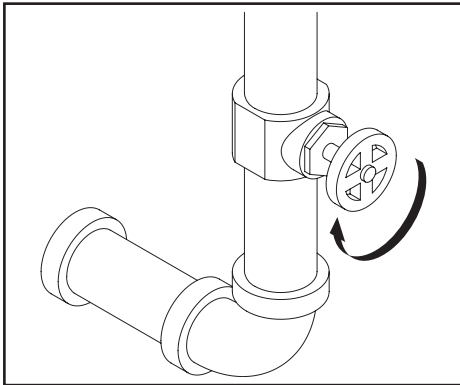
## Warnings and Notes:

Check with local plumbing code requirements before installation.  
This product should be installed by a local listed plumber.  
**Do not use plumbers putty on threads.**

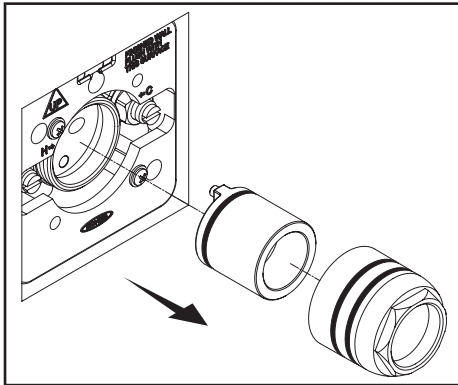


## Installation Steps:

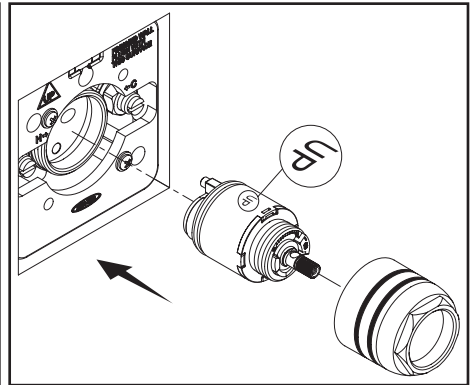
Single Handle Tub / Shower Trim Set



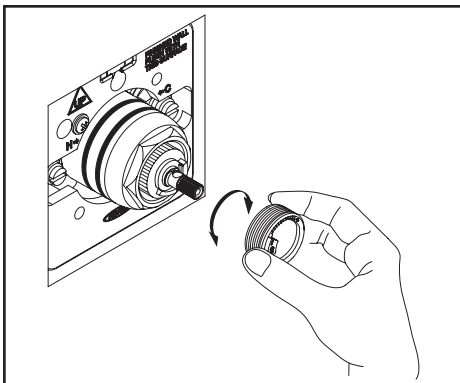
(1) Turn off water supply.



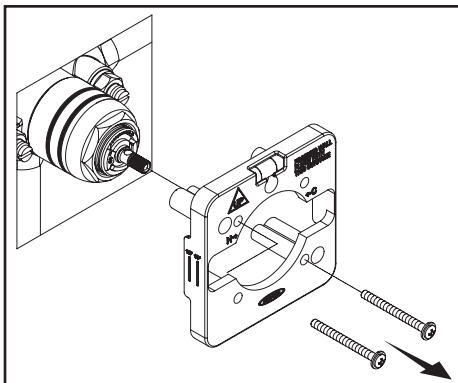
(2) Remove sleeve nut and test cap.



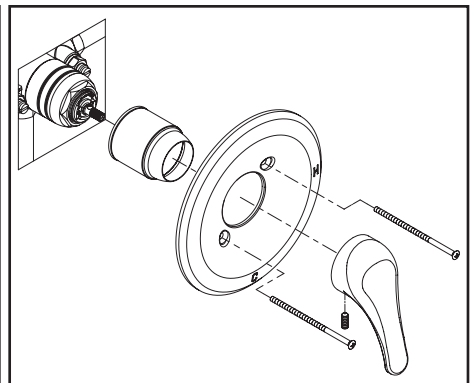
(3) Make sure "UP" marking is on top, install the cartridge and hand tighten the sleeve nut. Then tighten the sleeve nut a quarter turn more by using a wrench or a 1-7/16" socket to secure the cartridge.



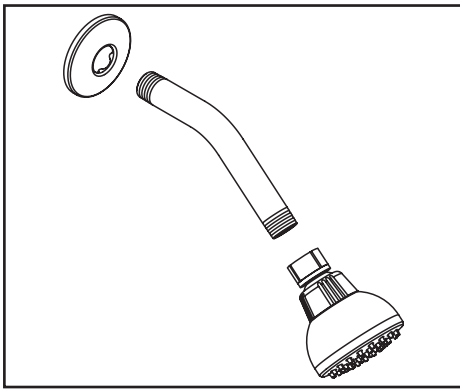
(4) With cartridge in off position; lift and adjust temperature limit cap to desired temperature, turn clockwise to decrease the temperature setting and turn counter-clockwise to increase the temperature setting.



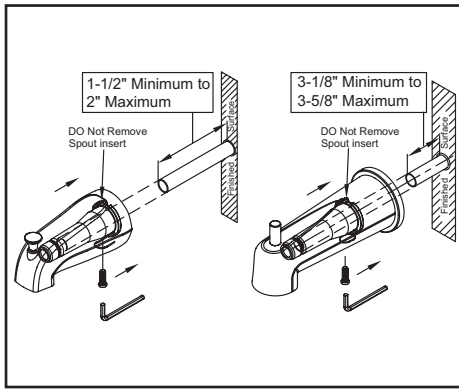
(5) Remove mud guard.



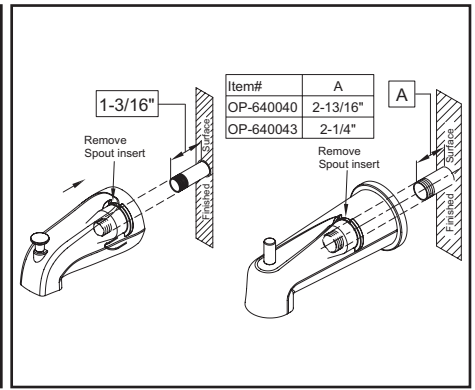
(6) Install sleeve, face plate and handle.



(7) Apply Teflon tape on both thread ends of the shower arm and install shower arm and shower head.



(8) For copper pipe, please see the distance charts on the installation instruction pictures for correct installation for each series of tub spout.



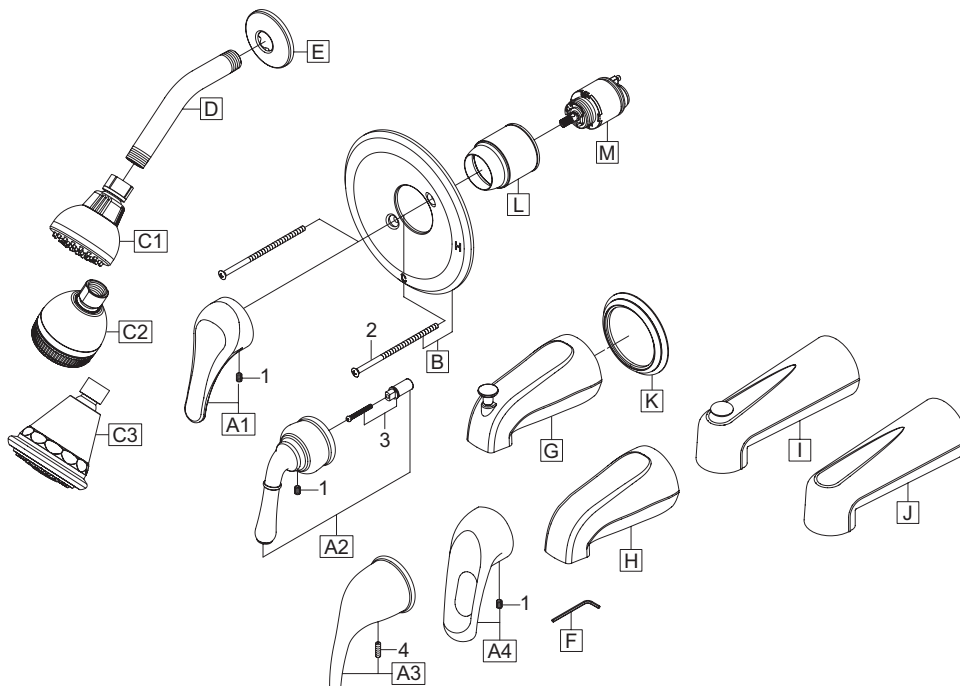
(9) For pipe thread nipple, remove spout insert and apply Teflon tape on thread of nipple, please see the distance charts on the installation instruction pictures for correct installation for each series of tub spout.

## Exploded Drawing: (T-230X, T-231X, T-234X, T-235X, T-236X)

\* Note: Please specify finish/color when ordering.

	ITEM #	DESCRIPTION
G	OP-640018*	Diverter Tub Spout (For T-23X0)
H	OP-640019*	Tub Spout (For T-23X1)
I	OP-640033*	7" Extended Diverter Tub Spout (For T-2353)
J	OP-640034*	7" Extended Tub Spout (For T-2354)
K	OP-440042*	Spout Escutcheon (For T-235X)
L	OP-440054*	Sleeve
M	OP-340009	Ceramic Cartridge & Spool
1	OP-490029	Allen Screw
2	OP-440010*	Face Plate Screws
3	OP-440033	Handle Adapter
4	OP-440043	Allen Screw

	ITEM #	DESCRIPTION
A1	OP-140014*	Metal Lever Handle (For T-230X )
A2	OP-140008*	Lever Handle (For T-234X, T-235X)
A3	OP-140015*	Lever Handle (For T-236X)
A4	OP-140010*	Loop Handle (For T-231X)
B	OP-440009*	Face Plate
C1	OP-640053*	1.5 GPM Showerhead (For T-230X, T-231X)
C2	OP-640029*	1.75 GPM Showerhead (For T-234X, T-236X)
C3	OP-640035*	1.75 GPM Showerhead (For T-235X)
D	OP-640002*	Shower Arm
E	OP-640001*	Shower Arm Flange
F	OP-490011	3/32" Allen Wrench

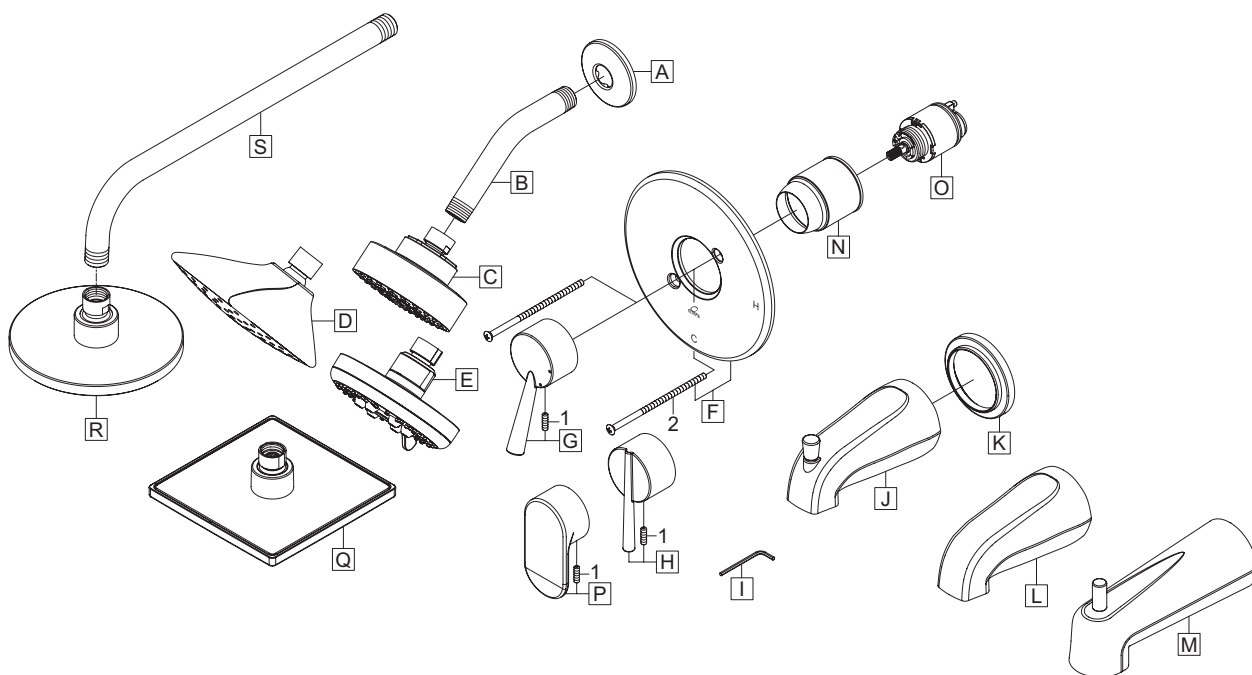


## Exploded Drawing: (T-233X, T-237X, T-238X)

\* Note: Please specify finish/color when ordering.

	ITEM #	DESCRIPTION
K	OP-640008*	Spout Escutcheon (For T-23X0, T-23X1, T-23X4, T-23X6)
L	OP-640019*	Tub Spout (For T-23X1)
M	OP-640040*	7" Extended Diverter Tub Spout (For T-23X4)
N	OP-440054*	Sleeve
O	OP-340009	Ceramic Cartridge & Spool
P	OP-140020*	Lever Handle (For T-233X)
Q	X-6400088*	1.75 GPM Shower Head (For T-239X-6)
R	OP-640047*	1.75 GPM Shower Head (For T-238X-6R(L))
S	OP-640056*	14" L Shower Arm (For T-2384-6RL, T-2385-6RL)
1	OP-440043	Allen Screw
2	OP-440010*	Face Plate Screws

	ITEM #	DESCRIPTION
A	OP-640001*	Shower Arm Flange
B	OP-640002*	Shower Arm
C	OP-640038*	1.75 GPM Shower Head (For T-23X0, T-23X2)
D	OP-640037*	1.75 GPM Rain Shower Head (For T-23X4, T-23X5)
E	OP-640041*	1.75 GPM Shower Head (For T-2386, T-2387)
F	OP-440051*	Face Plate
G	OP-140011*	Lever Handle (For T-237X)
H	OP-140018*	Lever Handle (For T-238X)
I	OP-490011	3/32" Allen Wrench
J	OP-640007*	Diverter Tub Spout (For T-23X0, T-2386)

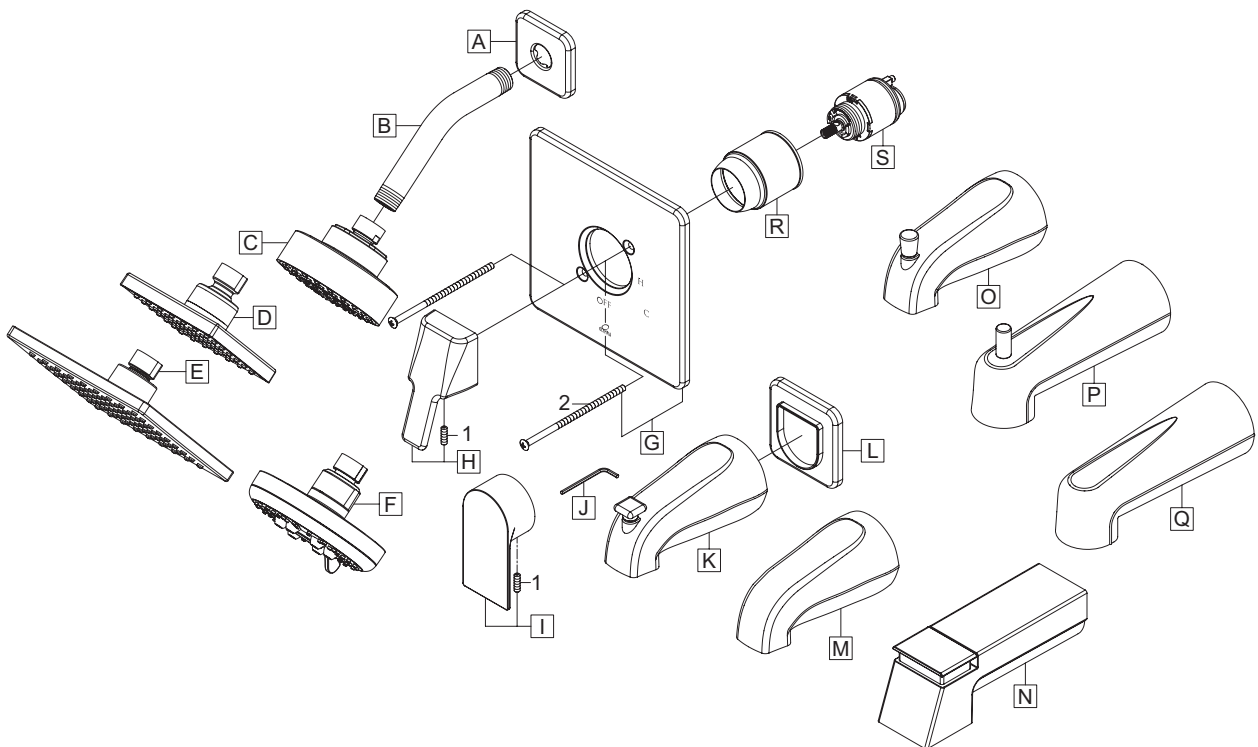


## Exploded Drawing: (T-239X, T-2391X)

\* Note: Please specify finish/color when ordering.

	ITEM #	DESCRIPTION
L	OP-440055*	Spout Escutcheon
M	OP-640019*	Tube Spout (For T-2391, T-23911)
N	OP-640043*	7" Extended Diverter Tub Spout (For T-2396, T-2398)
N	OP-640044*	7" Extended Tub Spout (For T-2397)
O	OP-640007*	Diverter Tub Spout (For T-23910)
P	OP-640040*	7" Extended Diverter Tub Spout (For T-23914)
Q	OP-640034*	7" Extended Tub Spout (For T-23917)
R	OP-440054*	Sleeve
S	OP-340009	Ceramic Cartridge & Spool
1	OP-440043	Allen Screw
2	OP-440010*	Face Plate Screws

	ITEM #	DESCRIPTION
A	OP-640045*	Shower Arm Flange
B	OP-640002*	Shower Arm
C	OP-640038*	1.75 GPM Shower Head (For T-2390, T-2392, T-23910, T-23912)
D	OP-640042*	1.75 GPM Shower Head (For T-2394, T-2395, T-2398)
E	X-6400088*	1.75 GPM Shower Head (For T-2394-6, T-2395-6, T-2398-6)
F	OP-640041*	1.75 GPM Shower Head (For T-23914, T-23915)
G	OP-440056*	Face Plate
H	OP-140019*	Lever Handle (For T-239X)
I	OP-140021*	Lever Handle (For T-2391X)
J	OP-490011	3/32" Allen Wrench
K	OP-640046*	Diverter Tub Spout (For T-2390, T-2394(-6))



**OLYMPIA**

For more care information or trouble shooting inquiries about your Olympia product, Please call:  
**OLYMPIA FAUCETS, INC.** (888) 772-7701  
 Monday-Friday 8 AM to 8 PM EST (5 AM to 5 PM PST)  
[www.olympiafaucets.com](http://www.olympiafaucets.com)



**OLYMPIA FAUCETS, INC.**  
3325 S. Garfield Ave.  
Commerce, CA 90040  
(888) 772-7701  
www.olympiafaucets.com

# INSTALLATION

**Tools:**



Adjustable Wrench



Silicone Sealant



Teflon Tape



Rags



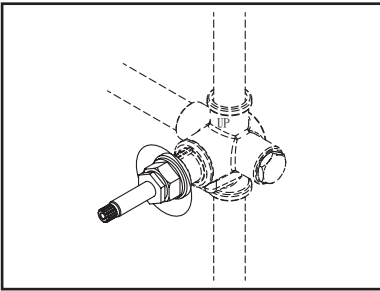
## Model Number: P-2240T

**Warnings and Notes:**

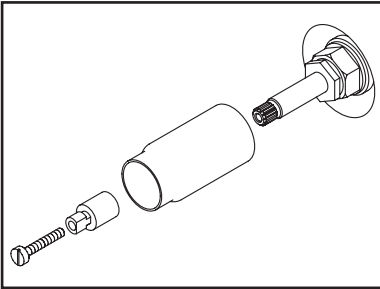
Check with local plumbing code requirements before installation.  
This product should be installed by a local listed plumber.  
**Do not use plumbers putty on threads.**

## Installation Steps:

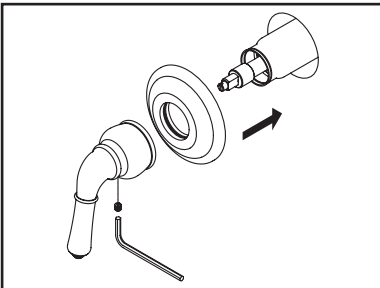
Single Handle Diverter Trim Set



(1) Complete instructions below once the finished wall is done.



(2) Thread the sleeve on the valve. Install the handle adapter on the stem and secure the handle adapter with the screw.

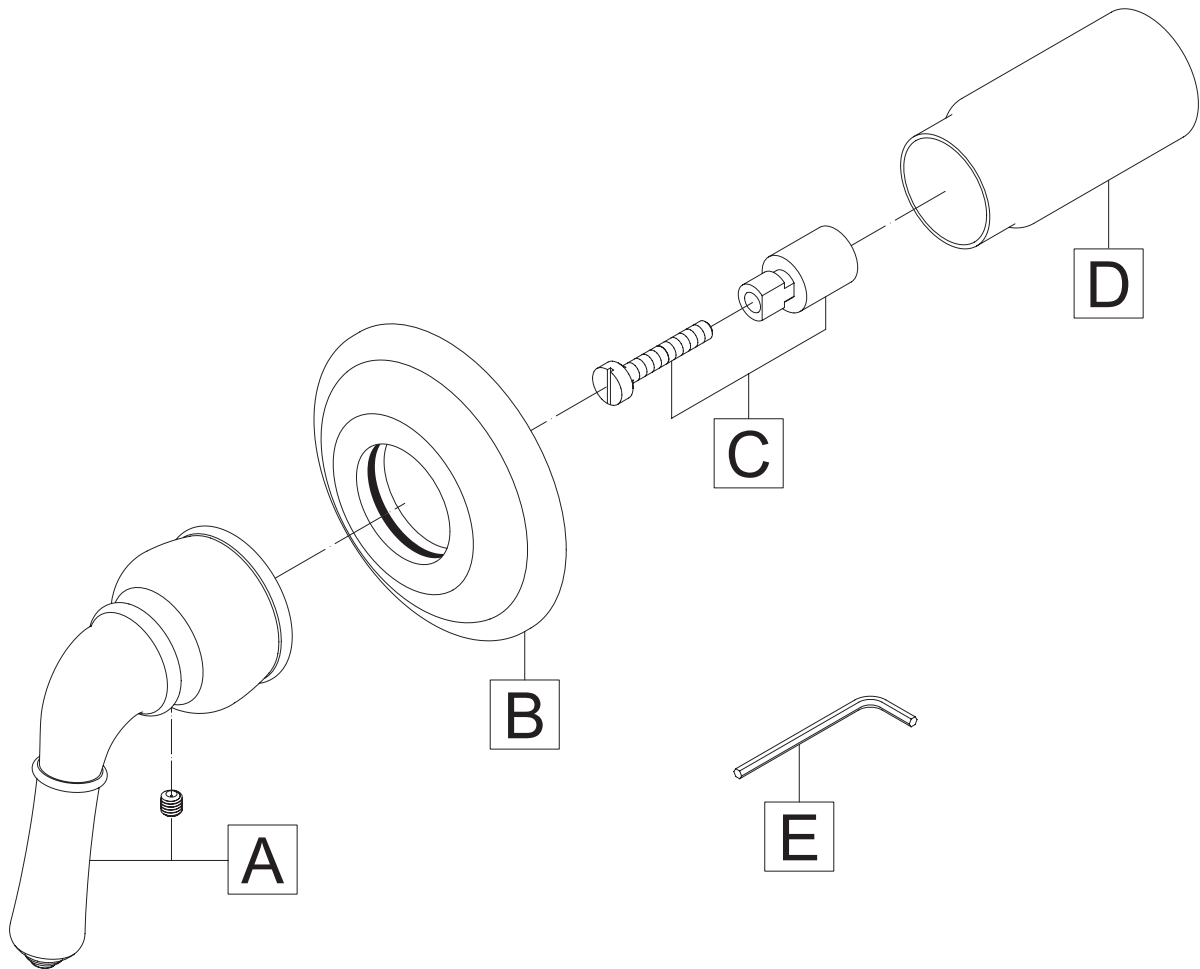


(3) Slide the flange on the sleeve against the finished wall. Apply silicone to caulk around the flange to form water tight seal. Attach the handle to the handle adapter. Tighten the Allen screw to secure the handle by using 3/32" Allen wrench. Check if the water diverts to desired outlet properly.

# Exploded Drawing:

\* Note: Please specify finish/color when ordering.

	ITEM #	DESCRIPTION
A	OP-140009*	Lever Handle
B	OP-460002*	Flange
C	OP-460001	Handle Adapter
D	OP-460005*	Sleeve
E	OP-490011	3/32" Allen Wrench



For more care information or trouble shooting inquiries  
about your Olympia product, Please call:  
**OLYMPIA FAUCETS, INC.** (888) 772-7701  
Monday-Friday 8 AM to 8 PM EST (5 AM to 5 PM PST)  
[www.olympiafaucets.com](http://www.olympiafaucets.com)



**OLYMPIA FAUCETS, INC.**  
3325 S. Garfield Ave.  
Commerce, CA 90040  
(888) 772-7701  
www.olympiafaucets.com

# INSTALLATION

**Tools:**



Adjustable Wrench



Silicone Sealant



Teflon Tape



Rags

## Model Number: P-2230T, P-2270T, P-2280T, P-2290T

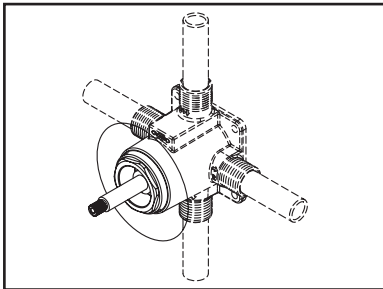
**Warnings and Notes:**

Check with local plumbing code requirements before installation.  
This product should be installed by a local listed plumber.  
**Do not use plumbers putty on threads.**

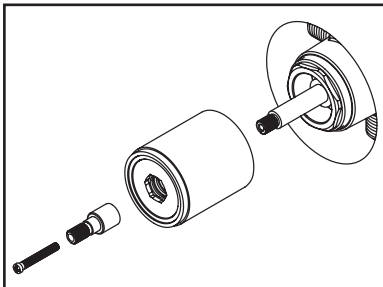


## Installation Steps:

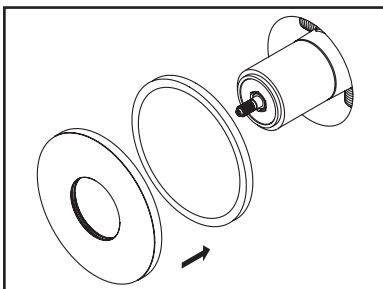
Single Handle Diverter Trim Set



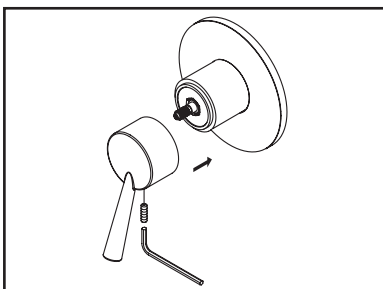
(1) Remove the protective cover if placed on the valve



(2) Thread the sleeve on the valve. Install the handle adapter on the stem and secure the handle adapter with the screw.



(3) Slide the face plate on the sleeve. Ensure the rubber gasket is behind the face plate. Apply silicone to caulk around the flange to form water tight seal.

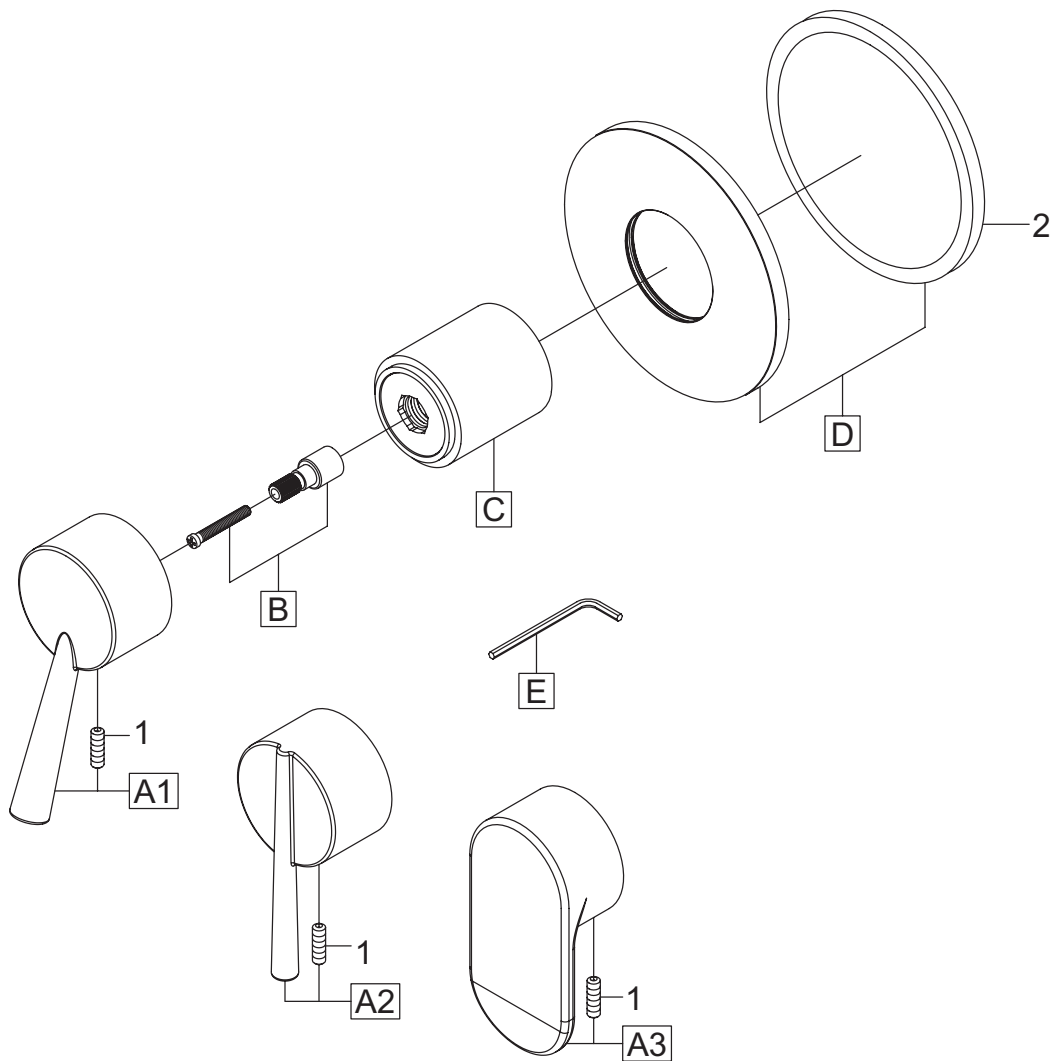


(4) Attach the handle to the handle adapter. Tighten the Allen screw to secure the handle by using 3/32" Allen wrench. Check if the water diverts to desired outlet properly.

# Exploded Drawing: (P-2230T, P-2270T, P-2280T)

\* Note: Please specify finish/color when ordering.

	ITEM #	DESCRIPTION
A1	OP-160003*	Lever Handle (For P-2270T)
A2	OP-140018*	Lever Handle (For P-2280T)
A3	OP-140020*	Lever Handle (For P-2230T)
B	OP-460022	Handle Adapter
C	X-4600035*	Sleeve
D	X-4600011*	Face Plate
E	OP-490011	3/32" Allen Wrench
1	OP-440043	3/32" Allen Screw
2	X-4600012	Rubber Gasket

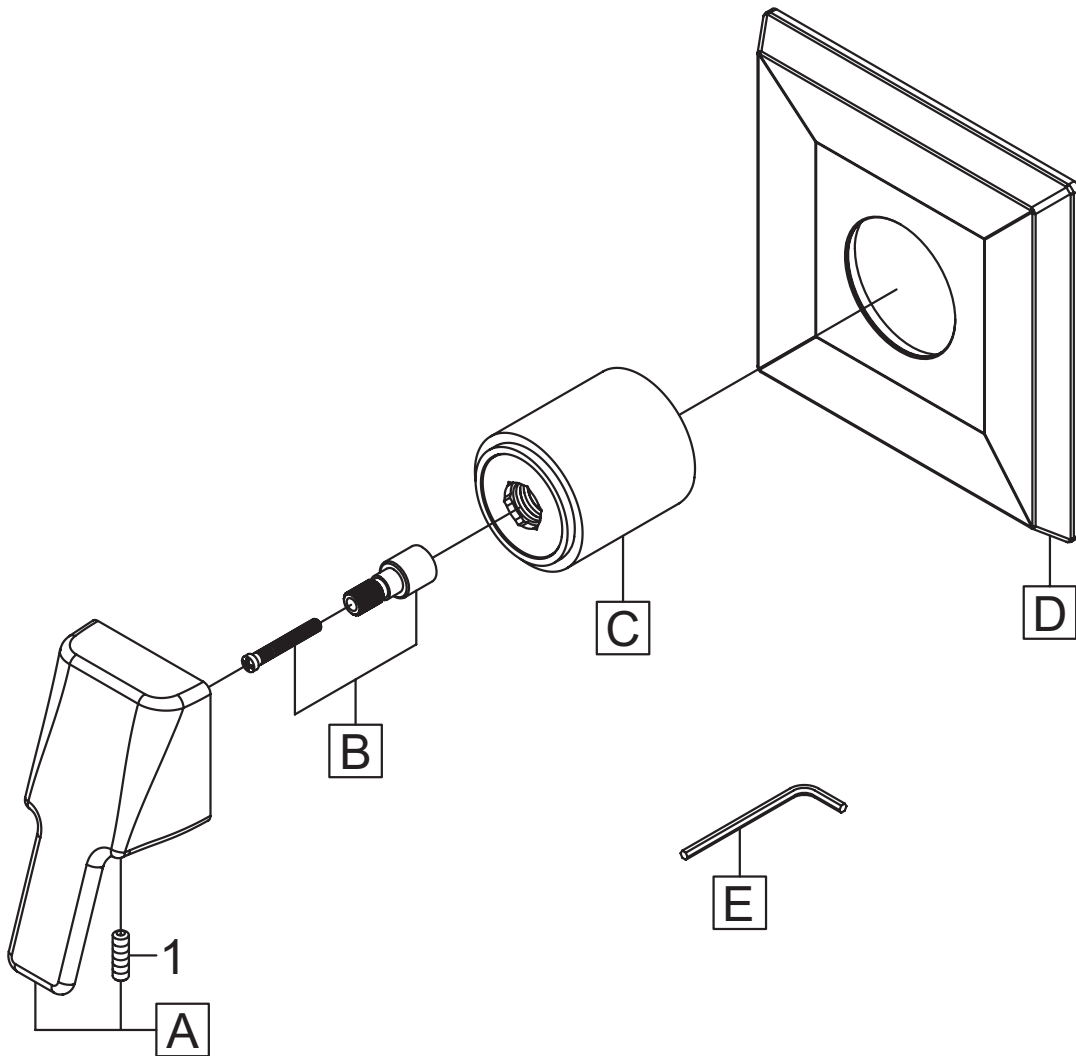




# Exploded Drawing: (P-2290T)

\* Note: Please specify finish/color when ordering.

	ITEM #	DESCRIPTION
A	OP-140019*	Lever Handle
B	OP-460022	Handle Adapter
C	X-4600035*	Sleeve
D	X-6600004*	Face Plate
E	OP-490011	3/32" Allen Wrench
1	OP-440043	3/32" Allen Screw



For more care information or trouble shooting inquiries about your Olympia product, Please call:  
**OLYMPIA FAUCETS, INC.** (888) 772-7701  
 Monday-Friday 8 AM to 8 PM EST (5 AM to 5 PM PST)  
[www.olympiafaucets.com](http://www.olympiafaucets.com)



**OLYMPIA FAUCETS, INC.**  
3325 S. Garfield Ave.  
Commerce, CA 90040  
(888) 772-7701  
www.olympiafaucets.com

# INSTALLATION

**Tools:**



Power Drill



Silicone Sealant



Teflon Tape



Rags

## Model Number: P-4440

### Warnings and Notes:

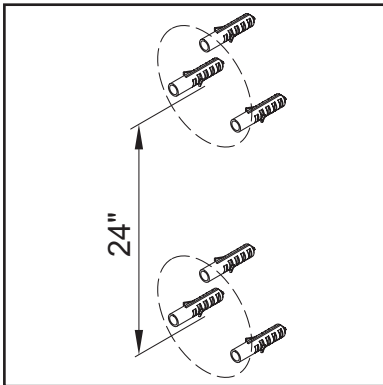
Check with local plumbing code requirements before installation.

This product should be installed by a local listed plumber.

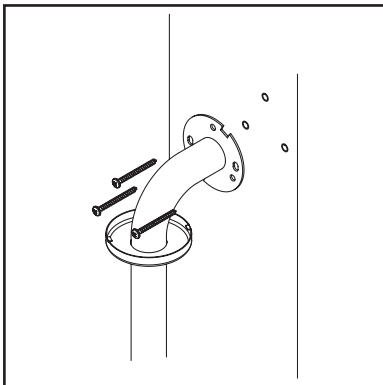
**Do not use plumbers putty on threads.**

### Installation Steps:

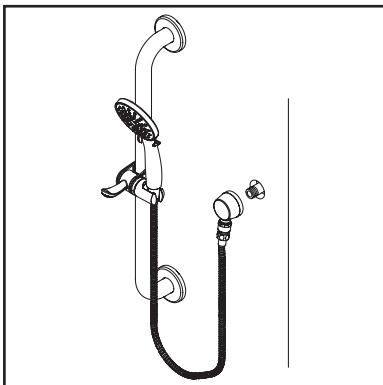
Handheld Shower Set



(1) Locate where to install the slide/grab bar and use a pen to mark the location of all six mounting screws. Use a power drill to drill 5/16" screw holes. Insert the screw anchors into the holes and hammer them flush to the wall as shown in the drawing.



(2) Secure the slide/grab bar on the wall by tightening the mounting screws into the screw anchors. Place both flanges to cover the mounting screws as shown in the drawing.

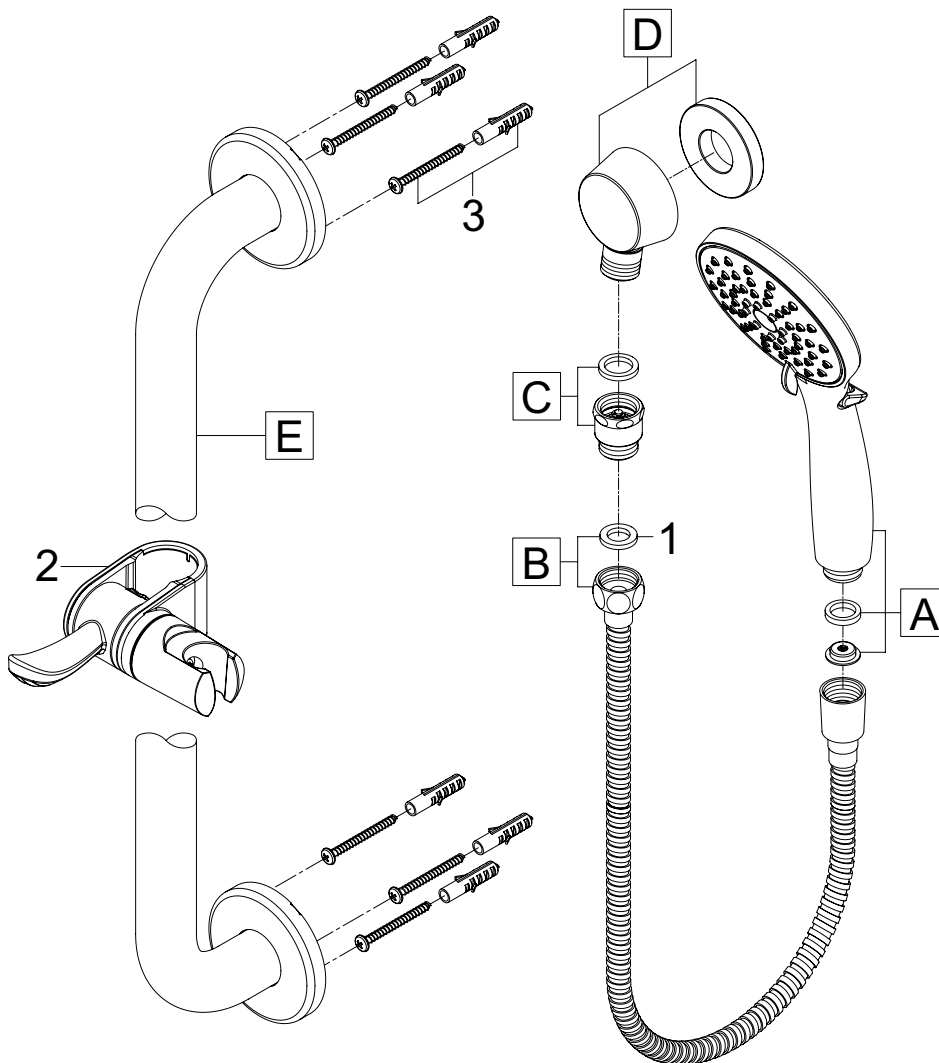


(3) Apply Teflon tape on the thread end of the pipe nipple and attach the drop ell to the pipe nipple. Connect the handheld shower and vacuum breaker to the hose and attach the hose to the drop ell. Turn on the water to check for any leaks.

## Exploded Drawing:

\* Note: Please specify finish/color when ordering.

	ITEM #	DESCRIPTION
A	OP-660008*	1.75 GPM Handheld Showerhead
B	OP-460027*	60" SST Hose
C	OP-460020*	Vacuum Breaker
D	OP-460006*	Drop Ell
E	OP-460028*	Grab Bar
1	OP-460025	Washer
2	OP-460029	Handheld Shower Holder
3	OP-460030	Mounting Kit



**OLYMPIA**

For more care information or trouble shooting inquiries  
about your Olympia product, Please call:  
**OLYMPIA FAUCETS, INC.** (888) 772-7701  
Monday-Friday 8 AM to 8 PM EST (5 AM to 5 PM PST)  
[www.olympiafaucets.com](http://www.olympiafaucets.com)