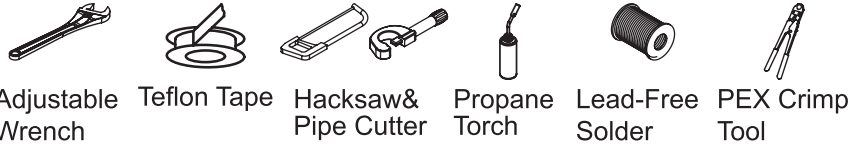




OLYMPIA FAUCETS, INC.
 3325 S. Garfield Ave.
 Commerce, CA 90040
 (888) 772-7701
 www.olympiafaucets.com

INSTALLATION

Tools:



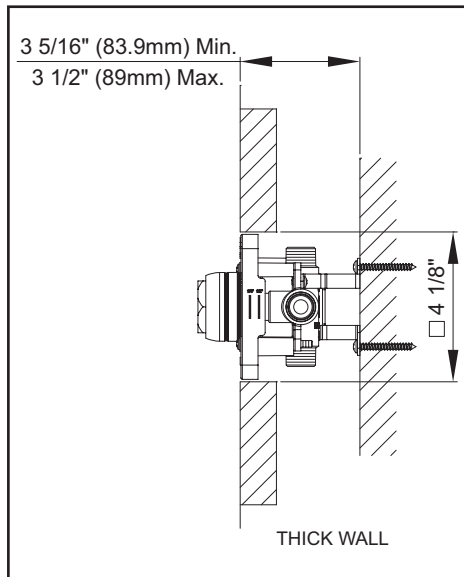
Model Number: V-23XXB, V-24XXB

Warnings and Notes:

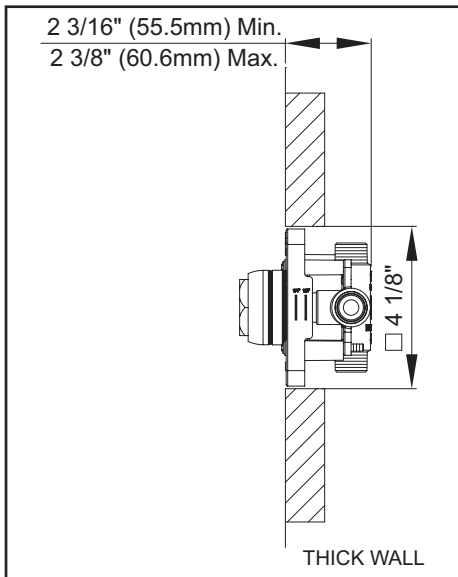
Check with local plumbing code requirements before installation.
 This product should be installed by a local listed plumber.
Do not use plumbers putty on threads.

Installation Steps:

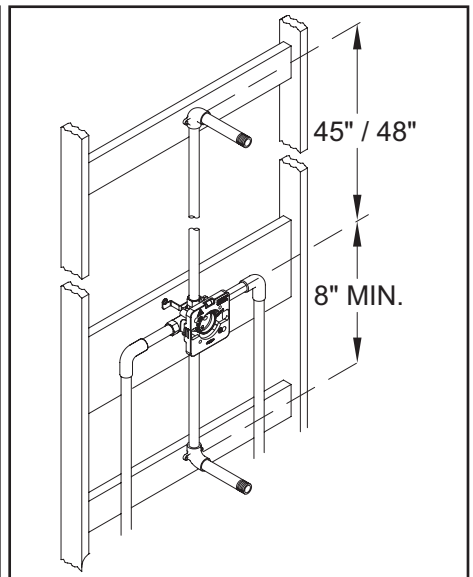
Single Handle Pressure Balance Tub and Shower Valve Set



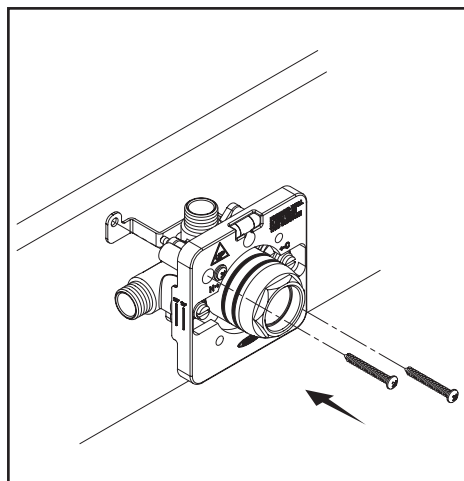
(1) Installation Distance With Bracket.



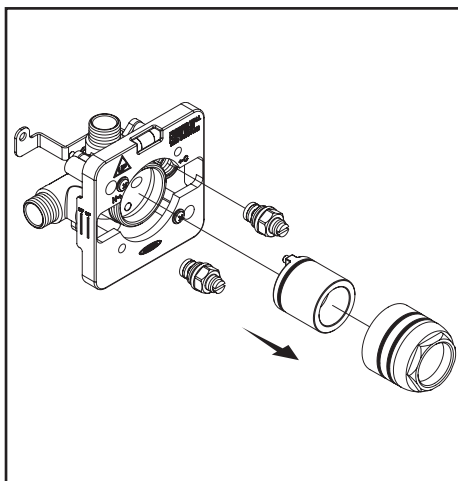
(2) Installation Distance Without Bracket.



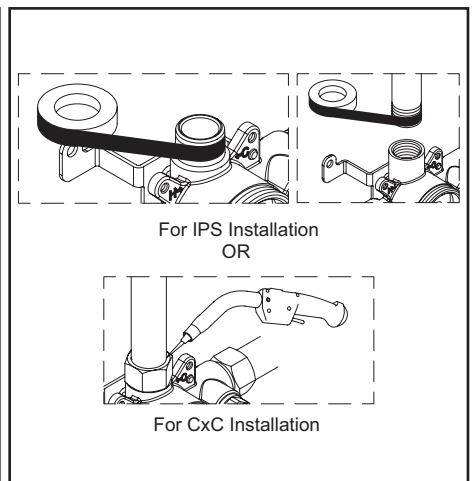
(3) For Tub Spout Use 1/2" copper or IPS Pipe Only For Shower Only Use Provided 1/2" Cap to cap tub outlet.



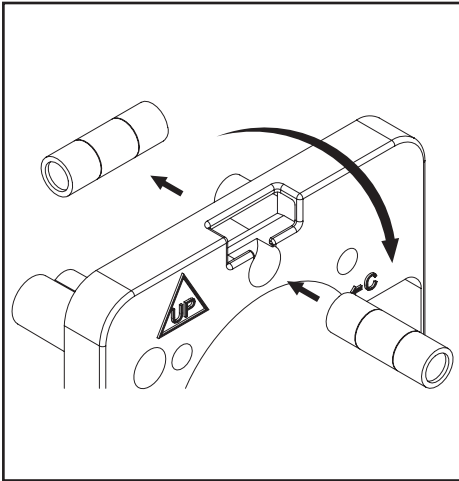
(4) Install Valve with 2 Wood screws provided.



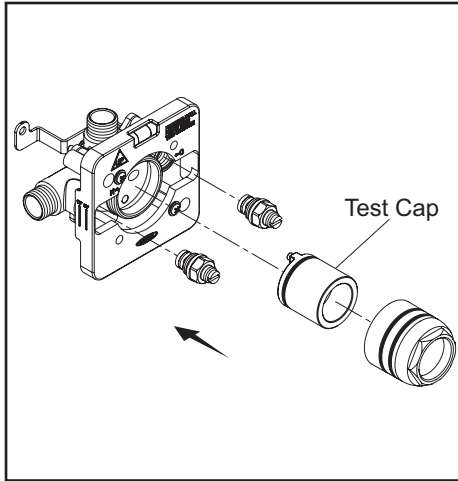
(5) For CXC Installation :- Remove Sleeve Nut, Test Cap and Inlet Stop Assemblies before soldering.



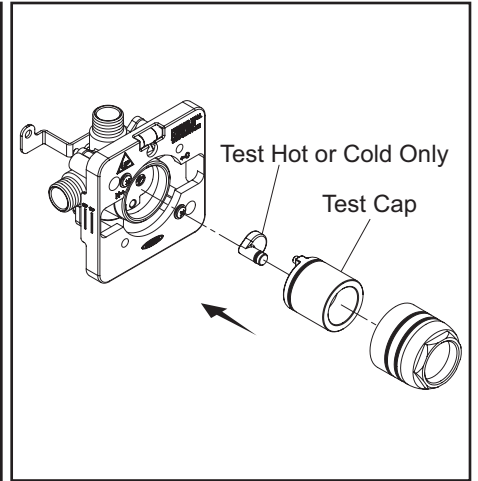
(6) Connect valve body to water inlets using the proper fittings (Copper, IPS, PEX-Crimp, PEX-Cold Expansion, CPVC). Note:- For PEX, be sure to use the right fitting for crimping and the right fitting for Cold Expansion.



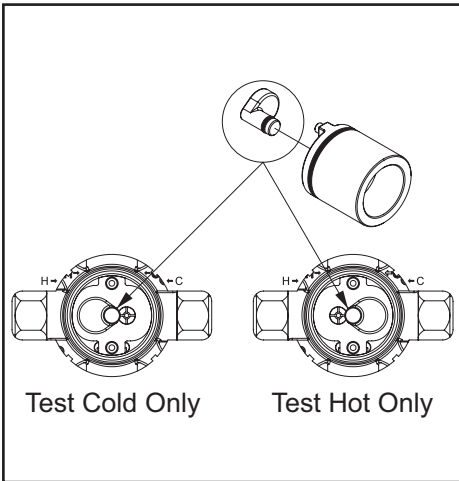
(7) Ensure Valve is leveled. To check vertical leveling remove level and put in the front hole in mud guard.



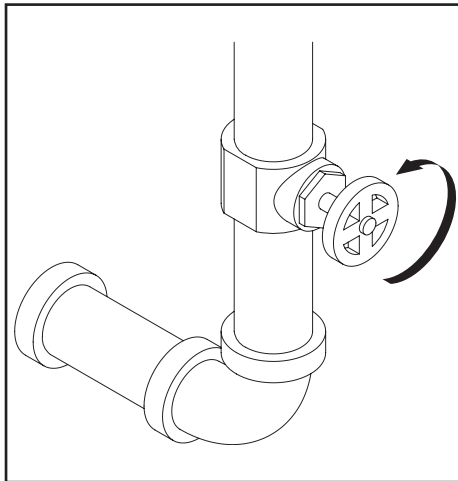
(8) For CXC Installation:- Assemble Test Cap, Sleeve Nut and Inlet Stop Assemblies after installation completed.



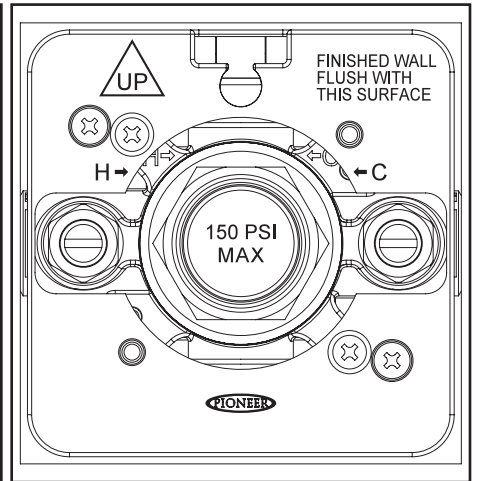
(9) To test Hot or Cold inlet Install the test plug to Test Cap.



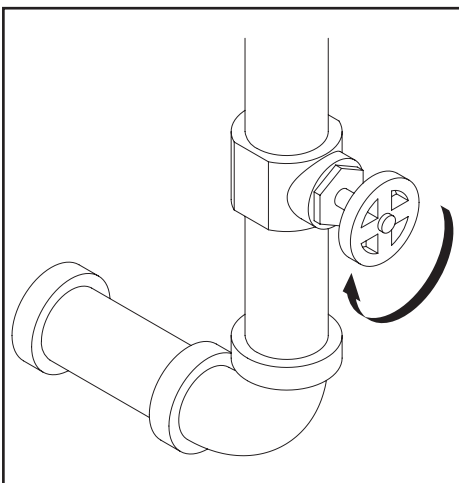
(10) Test plug can be positioned on Cold or Hot inlet.



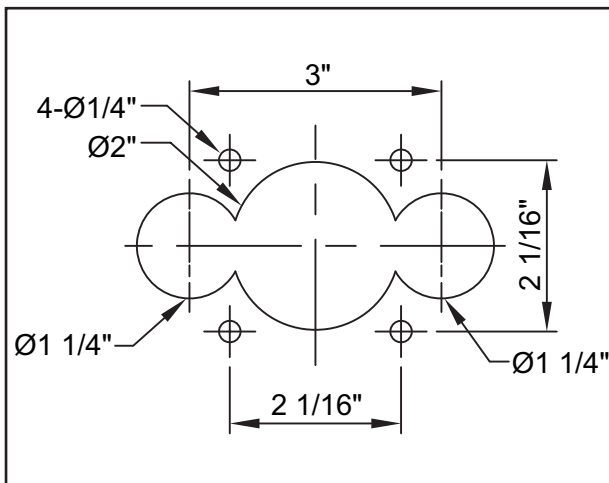
(11) Turn on Water Supply.



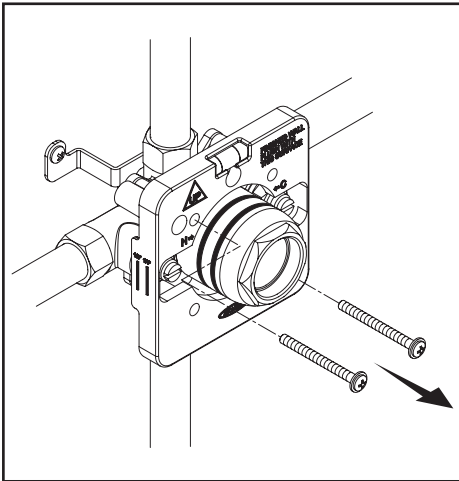
(12) Valve can be tested 150 PSI Max for Air or Water Pressure.



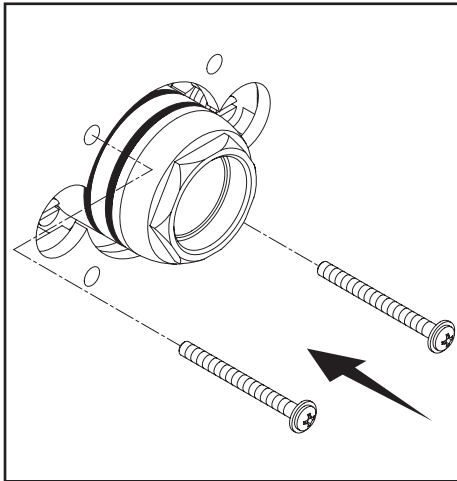
(13) Once Testing is completed turn off Water Supply.



(14) For Thin Wall Installation:- Use Provided template for thin wall installation.



(15) Remove Mud guard screws.

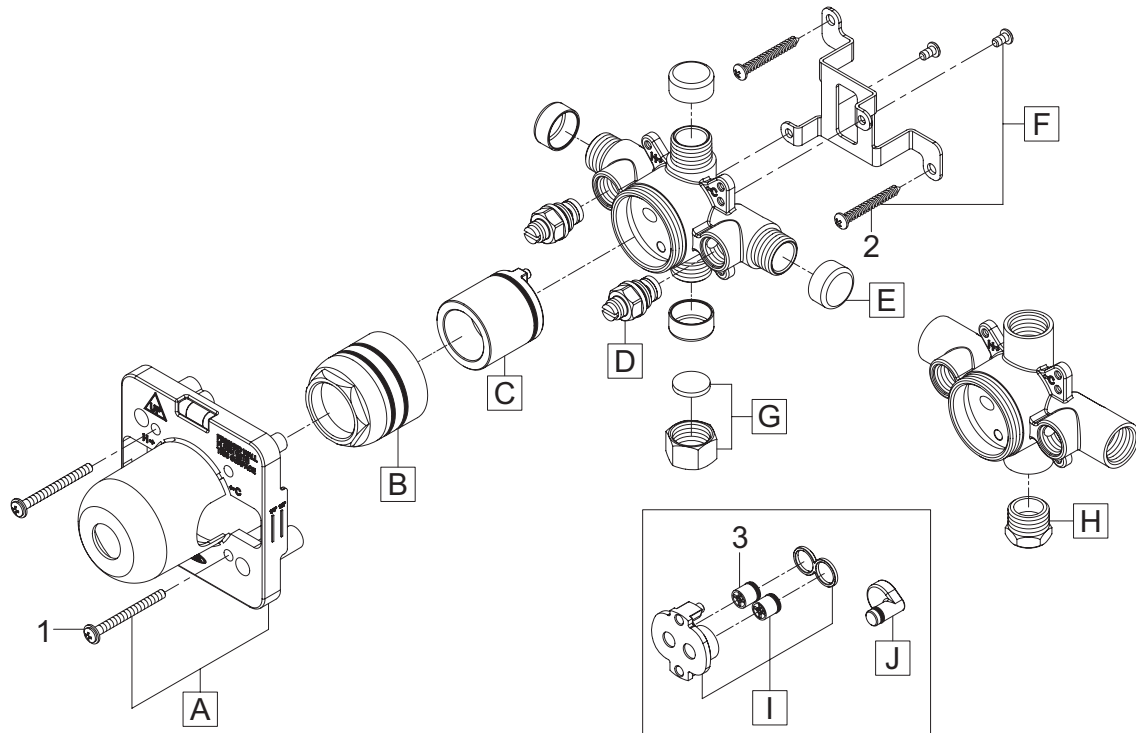


(16) Use Mud guard screws to secure valve to thin wall.

Exploded Drawing:

	ITEM #	DESCRIPTION
H	OP-440020	Plug (For V-2X16B)
I	OP-440061	CHECK VALVE (For V-24XXB)
J	OP-440062	Test Plug (For V-24XXB)
1	OP-440063	Mud Guard Screw
2	X-4900055	Mounting Bracket Screws
3	XCS-47001	10 MM CHECK VALVE (For V-24XXB)

	ITEM #	DESCRIPTION
A	OP-440059	Mud Guard
B	OP-440053	Sleeve Nut
C	OP-440060	Test Cap
D	OP-440007	Inlet Stop Assembly (For V-23XXB)
E	OP-440023	Protective Cap (For V-2X00B)
F	OP-540003	Mounting Bracket With Screws
G	X-4900025	Cap and Washe (For V-2X00B)



For more care information or trouble shooting inquiries about your Olympia product, Please call:
OLYMPIA FAUCETS, INC. (888) 772-7701
 Monday-Friday 8 AM to 8 PM EST (5 AM to 5 PM PST)
www.olympiafaucets.com