



**Olympia Faucets**  
VALUE FOR BUILDERS

**L-6165B**  
**Elite Series**



**Single Handle Lavatory Faucet**

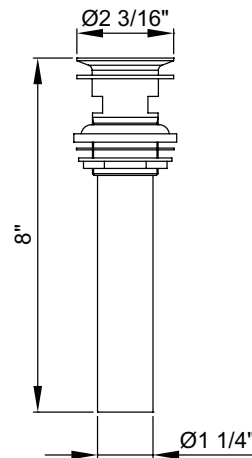
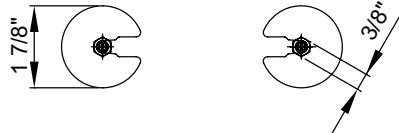
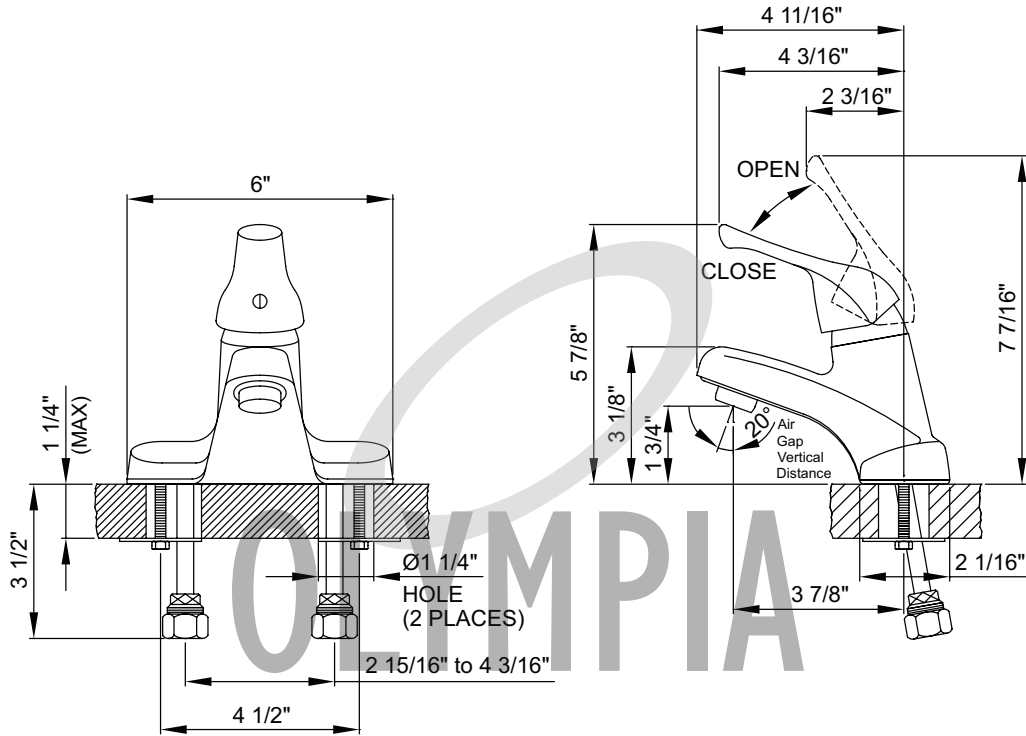
- Metal Lever Handle
- 3-7/8" Reach, 1-3/4" From Deck to Aerator
- Stainless Steel Ball Operation
- 3-Hole 4" Installation
- 50/50 Push Down Drain With Overflow
- With 1.2 GPM Flow Rate
- Builder Tract Pack

**Code and Standards**

- ADA: Compliance to ICC/ANSI A117.1 (Lever Handle Only)



\*For other finishes and flow rates offered, please visit our website, email an inquiry to [sales@pioneerind.com](mailto:sales@pioneerind.com) or contact our sales at 800-338-9468



50/50 Touch Down Drain