

OPB-250C **OPB-250SS**
 OPB-260C **OPB-260SS** **OPB-260ORB**

Omni**pro**

8" Two Handle Kitchen Faucet



FEATURES & BENEFITS

- This Product Contains Less Than 0.25% Weighted Average Lead Content On Wetted Surfaces
- Metal Lever Handles
- Ceramic Cartridges
- With Side Spray
- Max Flow Rate 1.5 GPM (5.7 L/MIN) At 60 PSI (ASME A112.18.1M/A112.18.1)

APPROVALS:

Meets or Exceeds The Following:

- * ANSI/ASME A112.18.1M/A112.18.1
- * NSF/ANSI/CAN 61 – Sec. 9: Q≤1
- * NSF/ANSI/CAN 372
- * IAPMO/cUPC
- * CA AB1953

OPB-260C
Chrome Finish

OPB-260SS
Stainless Steel Finish

OPB-260ORB
Oil Rubbed Bronze Finish

OPB-250C
Less Side Spray
Chrome Finish

OPB-250SS
Less Side Spray
Stainless Steel Finish



TEL: 800-217-4603

Visit Our Web Site : www.omniprofaucets.com

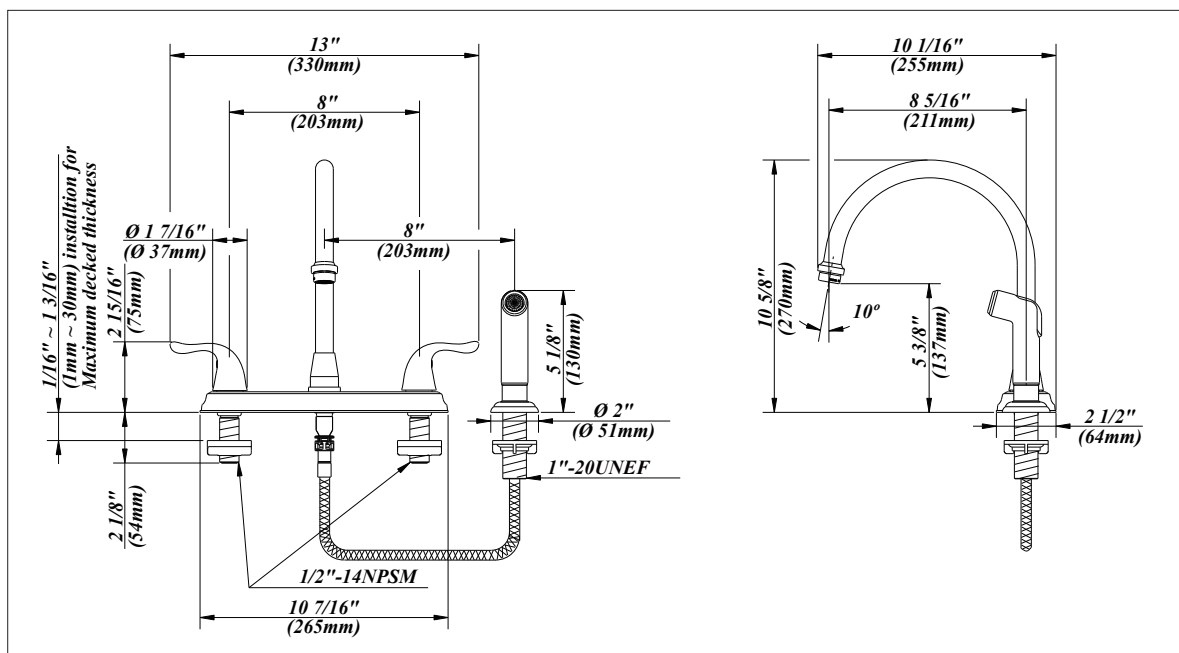
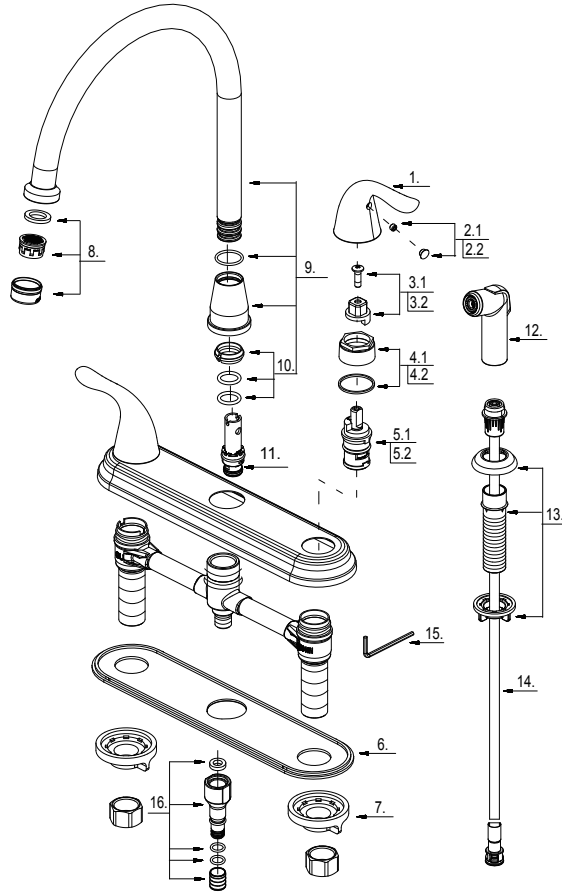
Product Spec Sheet

OPB-250C **OPB-250SS**
 OPB-260C **OPB-260SS** **OPB-260ORB**

Omni**pro**

8" Two Handle Kitchen Faucet

No.	Name	Part No.
1	Metal Handle	A069115CP
2.1	Index Button-Cold	A603595C
2.2	Index Button-Hot	A603595H
3.1	Handle Adaptor-Cold	A66D574C
3.2	Handle Adaptor-Hot	A66D574H
4	Retainer Nut & Washer	A663629
5.1	Ceramic Disc Cartridge-Cold	A507104N
5.2	Ceramic Disc Cartridge-Hot	A507103N
6	Putty Plate	A011003
7	Lock Nut Set	A504023
8	Aerator	A500872N-51
9	Spout Assembly	A666125N
10	Spout Seal Kit	A663044N
11	Spray Diverter w/Vacuum Breaker	A66G391
12	Side Spray	A503002N
13	Spray Holder Assembly (3-15/16" L)	A664250-P
14	Spray Hose	A512139N
15	Hex Wrench (H2.5 * 19 mm L * 53 mm L)	A031000NI
16	Sealing Kit	A66G352N



Product Spec Sheet

TEL: 800-217-4603

Visit Our Web Site : www.omniprofaucets.com