

- OPB-400CL** **OPB-400C**
 OPB-400BN **OPB-400ORB**

Omni**pro**

4" Two Handle Lavatory Faucet



Product Spec Sheet

FEATURES & BENEFITS

- This Product Contains Less Than 0.25% Weighted Average Lead Content On Wetted Surfaces
- Metal Lever Handles
- Ceramic Cartridges
- Brass Pop-up
- Max Flow Rate 1.2 GPM (4.5 L/MIN) At 60 PSI (ASME A112.18.1M/A112.18.1)

APPROVALS:

Meets or Exceeds The Following:

- * ANSI/ASME A112.18.1M/A112.18.1
- * NSF/ANSI/CAN 61 – Sec. 9: Q≤1
- * NSF/ANSI/CAN 372
- * IAPMO/cUPC
- * CA AB1953

OPB-400C
Chrome Finish

OPB-400BN
Brushed Nickel Finish

OPB-400ORB
Oil Rubbed Bronze Finish

OPB-400CL
Less Pop-up
Chrome Finish



NSF/ANSI/CAN 372
NSF/ANSI/CAN 61 & 9.0.1



TEL: 800-217-4603

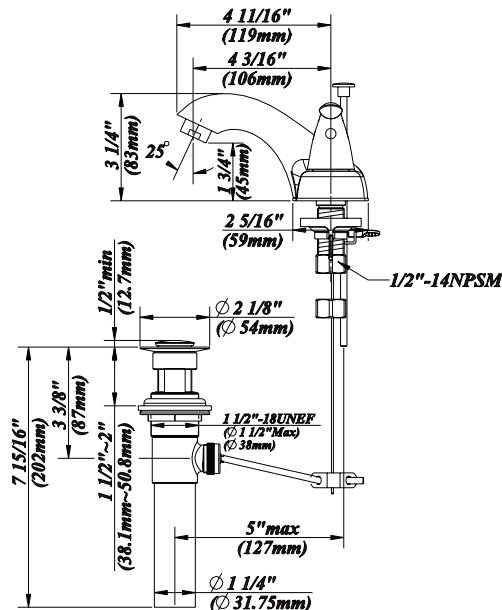
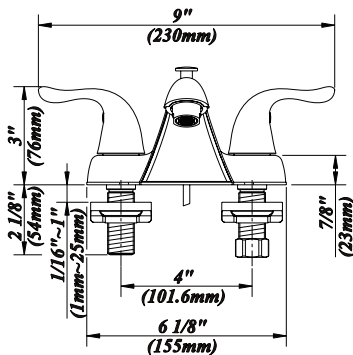
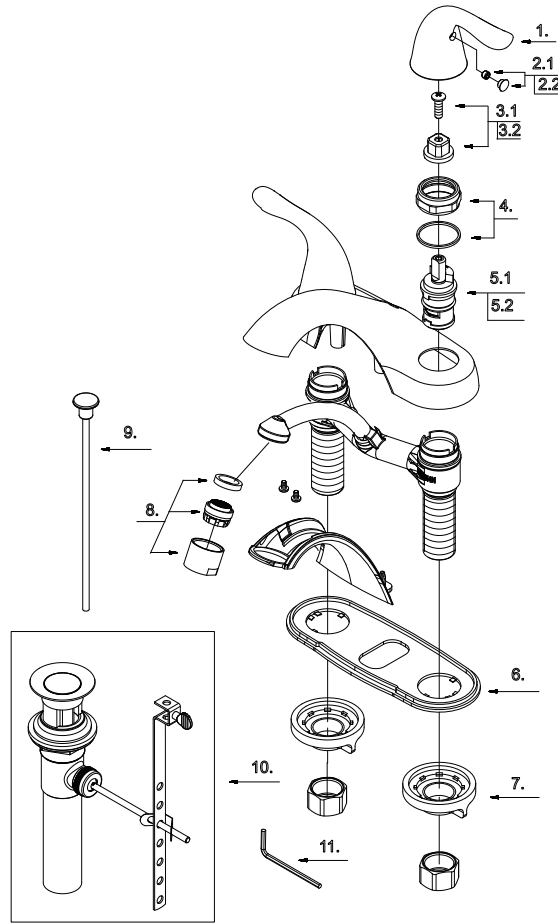
Visit Our Web Site : www.omniprofaucets.com

OPB-400CL **OPB-400C**
 OPB-400BN **OPB-400ORB**

OmniPro

4" Two Handle Lavatory Faucet

No.	Name	Part No.
1	Metal Handle Assembly	A069115
2.1	Index Button-Cold	A603595C
2.2	Index Button-Hot	A603595H
3.1	Handle Adaptor-Cold	A66D574C
3.2	Handle Adaptor-Hot	A66D574H
4	Retainer Nut & Washer	A663631
5.1	Ceramic Disc Cartridge -Cold	A507104N
5.2	Ceramic Disc Cartridge -Hot	A507103N
6	Putty Plate	A011005
7	Lock Nut Set	A504023
8	Aerator	A500124N-55
9	Lift Rod	A025011
10	Pop-up Assembly	A556200
11	Hex Wrench (H2.5 * 19 mm L * 53 mm L)	A031000NI



Product Spec Sheet

TEL: 800-217-4603

Visit Our Web Site : www.omniprofaucets.com